

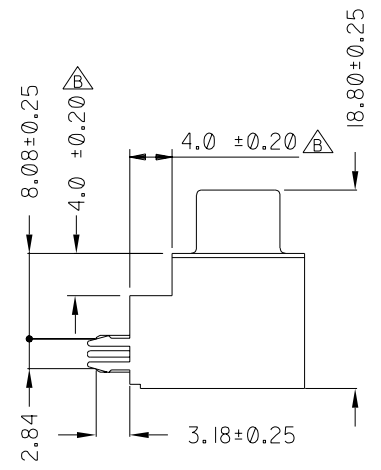
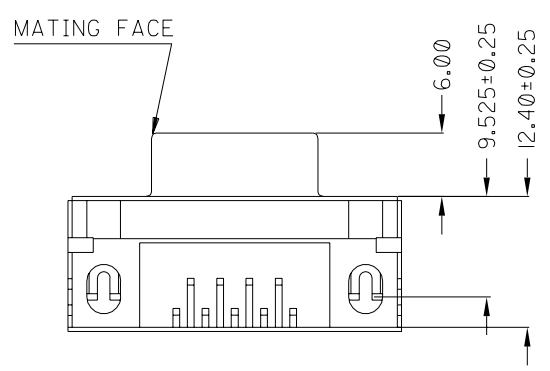
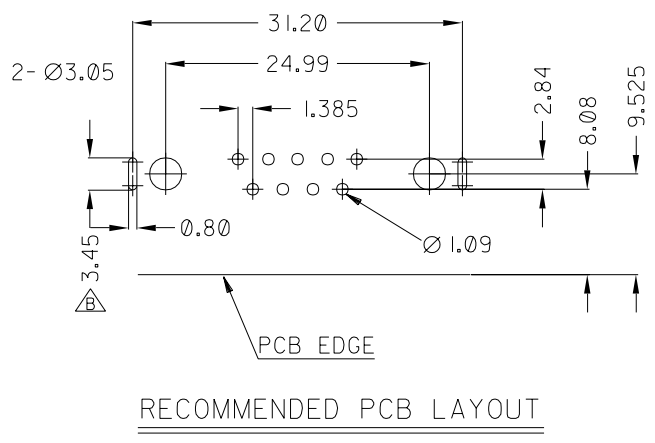
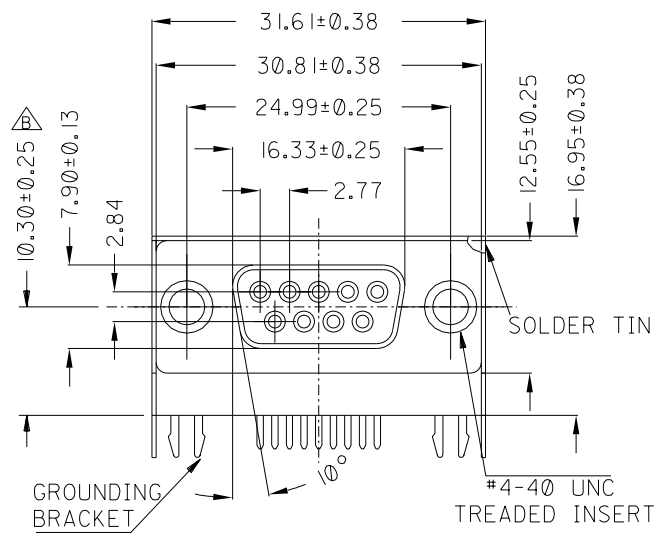
ENG. NO 67356-0062

EDP NO.

SIMILAR ITEM

CADFILE NO. S6735602.S01

DO NOT SCALE DRAWING



NOTES:

- MATERIALS:
HOUSING : POLYESTER,30% GLASS FIBER FILLED,
UL-94V-0,COLOR:BLACK
TERMINAL : PHOSPHOR BRONZE
SHELL : SPCC
- FINISH:
△ TERMINAL PLATING : GOLD FLASH ON CONTACT AREA.
TIN-LEAD ON SOLDERING TAIL .
NICKEL UNDERPLATING
SHELL PLATING : TIN-LEAD PLATED OVERALL.
UNDERPLATE : NICKEL PLATED
- 3.2 PCS #4-40 SCREW ATTACHED.
- PRODUCT SPEC.: PS-67356-003

REVISE PLATING SPEC EC No. T2002-0193 DRWN: Vincent Lin CHK: APPR:	RELEASE PER PDR MXT 2469 EC No. T2000-0264 DRWN: T.tung 01/04/25 CHK: Wilson Chang APPR: Mega Lin	QUALITY SYMBOLS MAJOR CRITICAL	GENERAL TOLERANCES: (UNLESS SPECIFIED)		SCALE	DESIGN UNITS	THIRD ANGLE PROJECTION	DIMENSIONS:		I	C
			mm	INCH	mm	INCH		mm	INCH	SHT	REV
C	B	REV	4 PLACES ± .	± .	DRAWN BY & DATE G.Wang 00/02/15	TITLE: 9 CKT FEMALE D-SUB (WITH SHIELDING)	mm ONLY		REVISE ON CAD ONLY		
			3 PLACES ± .	± .	CHECKED BY & DATE Wilson Chang	MOLEX INCORPORATED					
			2 PLACES ±0.25	±0.10	APPROVED BY & DATE Mega Lin						
			1 PLACE ±0.25	±0.10	CAD FILENAME S6735602.S01	MATERIAL NO. 67356-0062	DRAWING NO. SD-67356-002	SHEET NO. 1 OF 1		SIZE A3	
DRAFT WHERE APPLICABLE MUST REMAIN WITHIN DIMENSIONS			THIS DRAWING CONTAINS INFORMATION THAT IS PROPRIETARY TO MOLEX INCORPORATED AND SHOULD NOT BE USED WITHOUT WRITTEN PERMISSION.								