

- 1 USE A P.C.B. WHOSE SURFACES ARE TREATED WITH SOLDER RESIST.
  - 2 SHOW P.C.B LAYOUT FROM THE CONNECTOR-MOUNTING SURFACE SIDE.
  - 3 NUMBER THE CONTACTS IN THE P.C.B OR CONNECTOR CONSECUTIVELY FROM THE **-BSC-** SIDE.
  - 4 WHEN SCREWING THE CONNECTOR TO THE P.C.B, USE M2 SCREW, NUT AND WASHERS.
- ⑤ HOUSING MATERIAL : THERMOPLASTICS (UL94-V0). COLOR:BLACK
  - ⑥ CONTACT MATERIAL : COPPER ALLOY
  - ⑦ FINISH : NICKEL 1.27μ MIN THK. OVERALL SELECTIVE GOLD 0.2μ MIN THK ON CONTACT AREA AND TIN 1μ MIN THK ON TINE AREA.
  - ⑧ OBSOLETE PARTS: OBSOLETE CIS STREAMLINING PER D.RENAUD/D.SINISI

OBSOLETE	-8	96	47	59.69	65.66	69.66	73.66
	-6	48	23	29.21	35.18	39.18	43.18
OBSOLETE	-5	34	16	20.32	26.29	30.29	34.29
	-4	60	29	36.83	42.80	46.80	50.80
	-3	50	24	30.48	36.45	40.45	44.45
	-2	40	19	24.13	30.10	34.10	38.10
	5173280-1	30	14	17.78	23.75	27.75	31.75
P/N	POS	n	A	B	C	D	

GENERAL TOLERANCE  
一般公差

10 ≥	±0.2
30 ≥ > 10	±0.25
100 ≥ > 30	±0.3
ANGLES	±3°

THIS DRAWING IS A CONTROLLED DOCUMENT.

DIMENSIONS: 単位: 耗 MM	TOLERANCES UNLESS OTHERWISE SPECIFIED: 一般公差
	0 PLC ± -
	1 PLC ± -
	2 PLC ± -
	3 PLC ± -
	4 PLC ± -
	ANGLES ± -
MATERIAL 材料	FINISH 仕上
参照 - ⑤ ⑥	参照 - ⑦

DWN	T.KAWAMAE	01APR05
CHK	I.ENOMOTO	01APR05
APVD	I.ENOMOTO	01APR05
PRODUCT SPEC	製品規格	
APPLICATION SPEC	取付適用規格	
WEIGHT		
CUSTOMER DRAWING		
SCALE	尺度	2:1
SHEET	1 OF 3	
REV	A2	

STE TE Connectivity

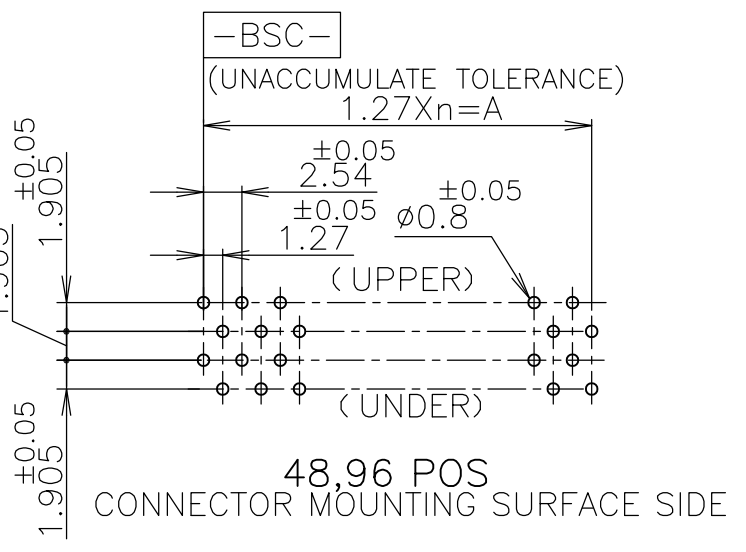
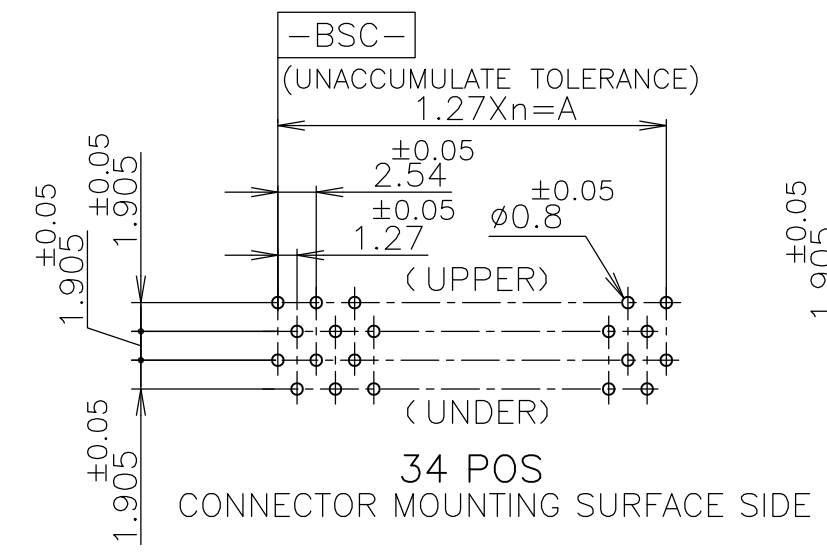
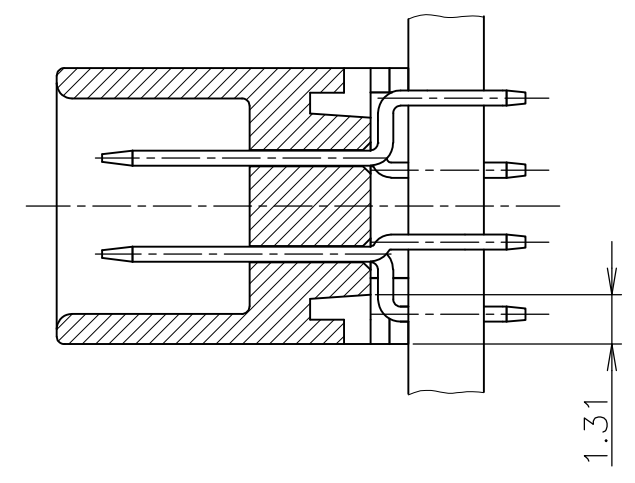
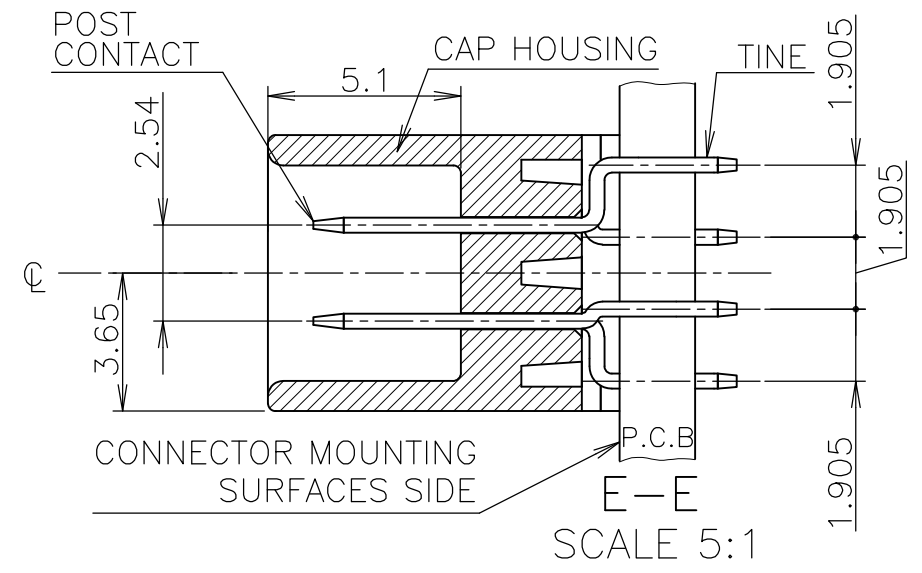
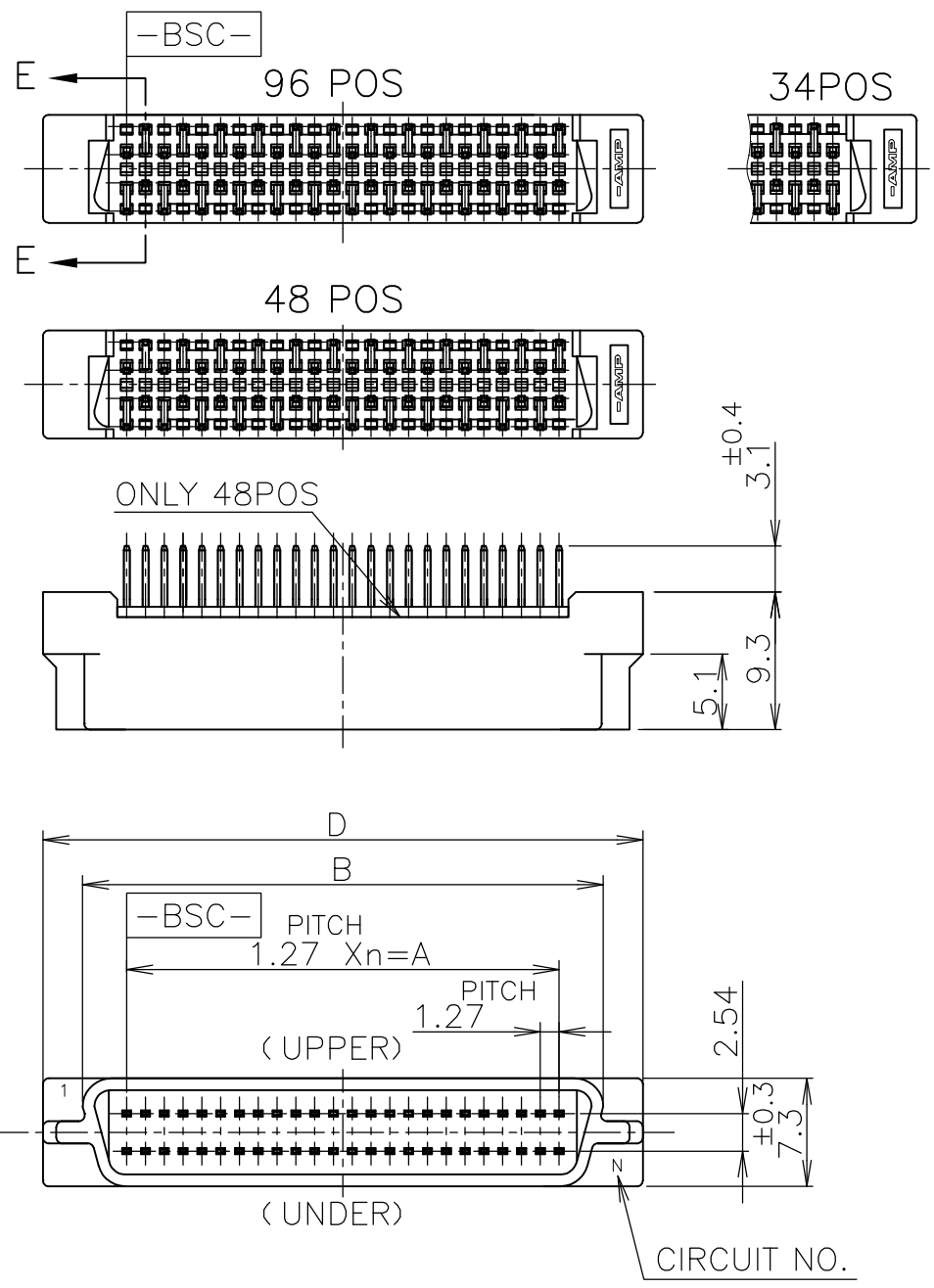
CAP ASSY VERTICAL  
AMPLIMITE 050 SERIES I B-TO-B CONN.

NAME 名称  
CAP ASSY VERTICAL  
AMPLIMITE 050 SERIES I B-TO-B CONN.

SIZE A3 CAGE CODE 00779 DRAWING NO 番号 C-5173280 RESTRICTED TO

THIS DRAWING IS UNPUBLISHED. RELEASED FOR PUBLICATION OCT, 1984.  
 © COPYRIGHT 1984 By - ALL RIGHTS RESERVED.

LOC	DIST	REVISIONS			DATE	DWN	APVD
J	/	P	LTR	DESCRIPTION			
		-	-	SEE SHEET 1	-	-	-



- USE A P.C.B. WHOSE SURFACES ARE TREATED WITH SOLDER RESIST.
- SHOW P.C.B LAYOUT FROM THE CONNECTOR-MOUNTING SURFACE SIDE.
- NUMBER THE CONTACTS IN THE P.C.B OR CONNECTOR CONSECUTIVELY FROM THE -BSC- SIDE.

- HOUSING MATERIAL : THERMOPLASTICS (UL94-V0). COLOR:BLACK
- CONTACT MATERIAL : COPPER ALLOY
- FINISH : NICKEL 1.27μ MIN THK. OVERALL SELECTIVE GOLD 0.2μ MIN THK ON CONTACT AREA AND TIN 1μ MIN THK ON TINE AREA.

GENERAL TOLERANCE	
10 ≥	±0.2
30 ≥ > 10	±0.25
100 ≥ > 30	±0.3
ANGLES: ±3°	

THIS DRAWING IS A CONTROLLED DOCUMENT.

DIMENSIONS: 單位: 耗 MM	TOLERANCES UNLESS OTHERWISE SPECIFIED: 一般公差
0 PLC	± -
1 PLC	± -
2 PLC	± -
3 PLC	± -
4 PLC	± -
ANGLES	± -
MATERIAL 材料	FINISH 仕上
SEE-④ ⑤	SEE-⑥

DWN	-
CHK	-
APVD	-
PRODUCT SPEC 製品規格	-
APPLICATION SPEC 取付適用規格	-
WEIGHT	-

2-	-8	96	47	59.69	65.66	71.00
2-	-6	48	23	29.21	35.18	40.52
2-5173280-5		34	16	20.32	26.29	31.63
P/N	極数	n	A	B	D	

**STE** TE Connectivity

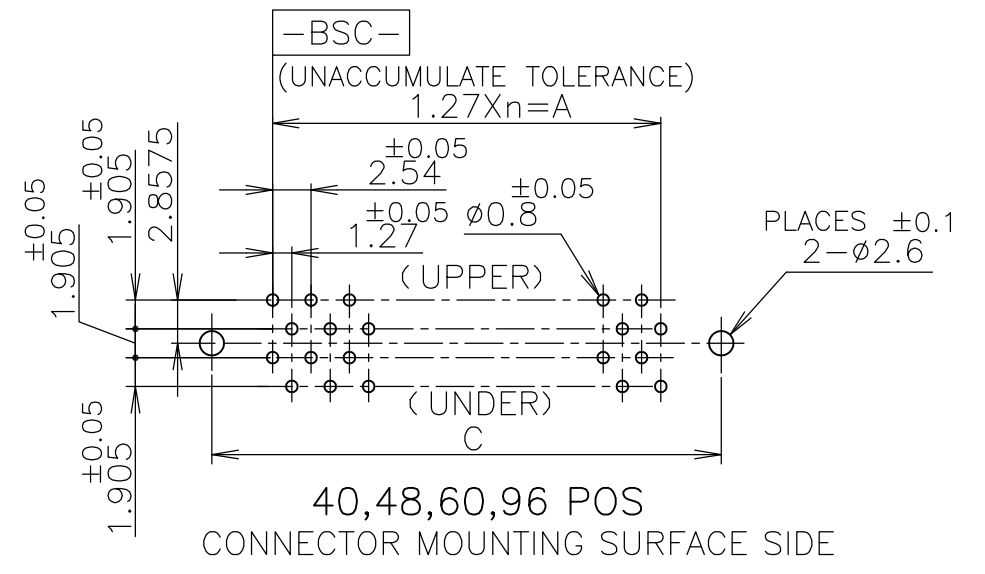
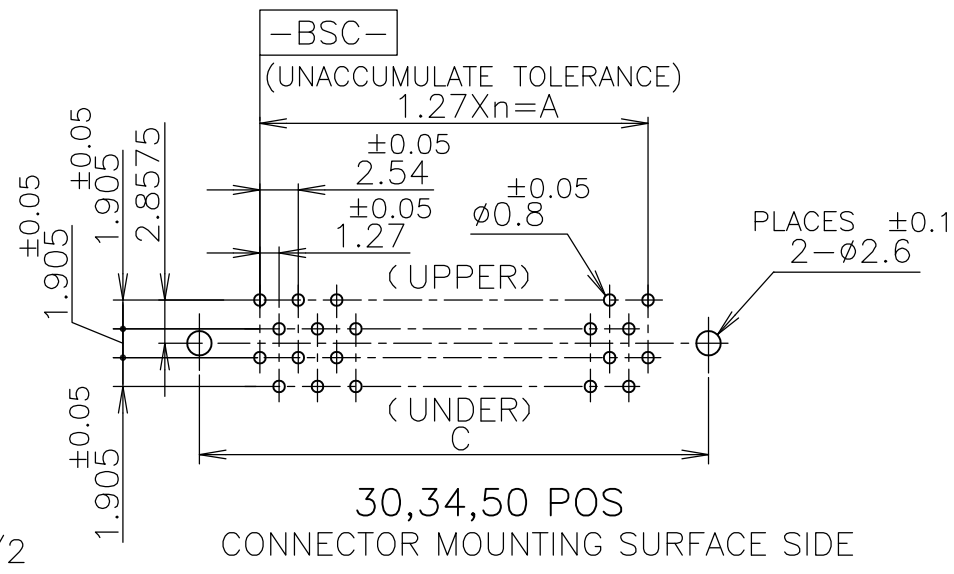
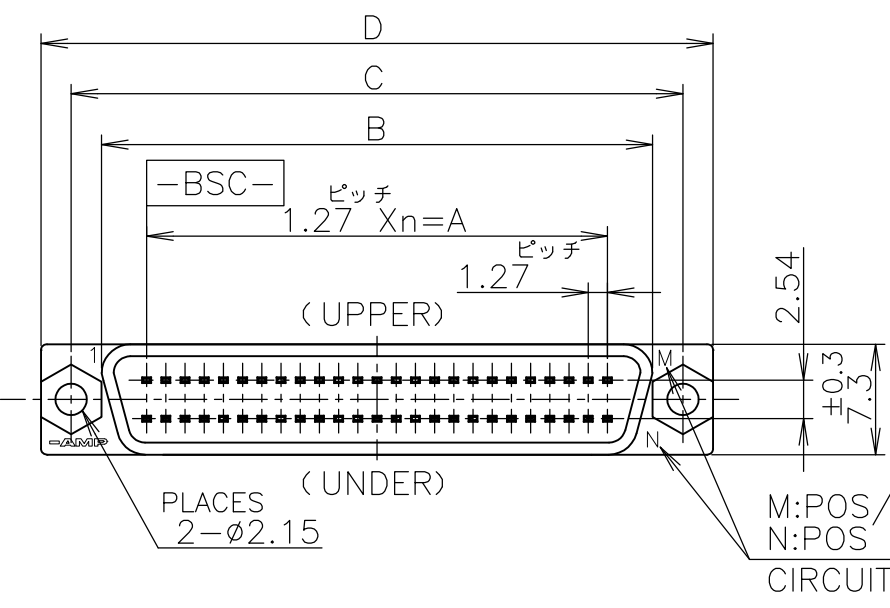
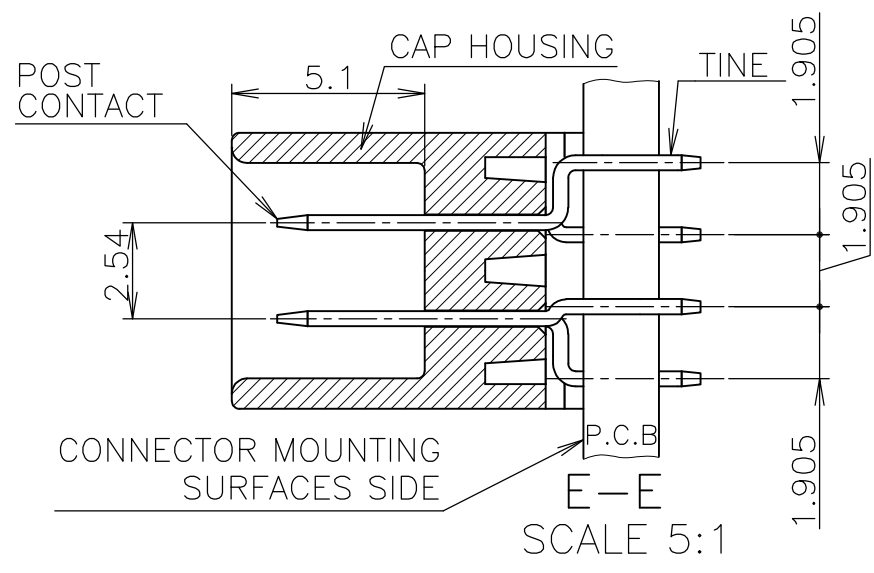
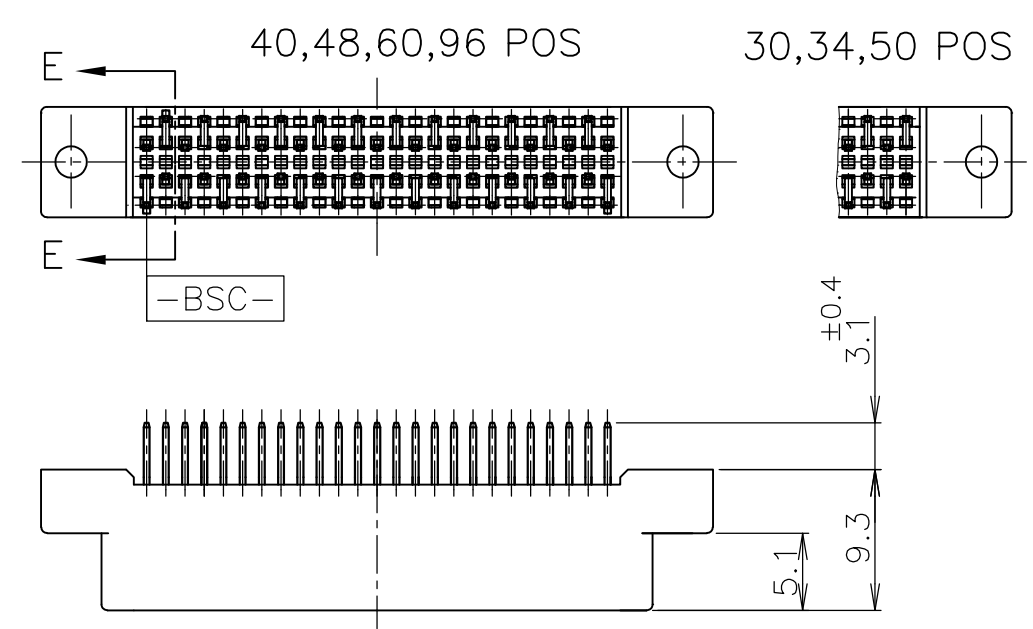
NAME 名称: CAP ASSY VERTICAL  
 AMPLIMITE .050 SERIES I B-TO-B CONN.

SIZE: A3 CAGE CODE: 00779 DRAWING NO: C-5173280 RESTRICTED TO: -

SCALE 尺度: 2:1 SHEET: 2 OF 3 REV: A2

THIS DRAWING IS UNPUBLISHED. RELEASED FOR PUBLICATION OCT, 1984.  
 © COPYRIGHT 1984 By - ALL RIGHTS RESERVED.

LOC	DIST	REVISIONS					
J	/	P	LTR	DESCRIPTION	DATE	DWN	APVD
		-		SEE SHEET 1	-	-	-



- USE A P.C.B. WHOSE SURFACES ARE TREATED WITH SOLDER RESIST.
- SHOW P.C.B LAYOUT FROM THE CONNECTOR-MOUNTING SURFACE SIDE.
- NUMBER THE CONTACTS IN THE P.C.B OR CONNECTOR CONSECUTIVELY FROM THE **-BSC-** SIDE.
- WHEN SCREWING THE CONNECTOR TO THE P.C.B, USE M2 SCREW, NUT AND WASHERS.
- HOUSING MATERIAL : THERMOPLASTICS (UL94-V0). COLOR:BLACK
- CONTACT MATERIAL : COPPER ALLOY
- FINISH : NICKEL 1.27µ MIN THK. OVERALL SELECTIVE GOLD 0.76µ MIN THK ON CONTACT AREA AND TIN 1µ MIN THK ON TINE AREA.

6-	-8	96	47	59.69	65.66	69.66	73.66
6-	-6	48	23	29.21	35.18	39.18	43.18
6-	-5	34	16	20.32	26.29	30.29	34.29
6-	-4	60	29	36.83	42.80	46.80	50.80
6-	-3	50	24	30.48	36.45	40.45	44.45
6-	-2	40	19	24.13	30.10	34.10	38.10
6-5173280-1		30	14	17.78	23.75	27.75	31.75
P/N		POS	n	A	B	C	D

GENERAL TOLERANCE  
一般公差

10 ≥ : ±0.2  
 30 ≥ > 10: ±0.25  
 100 ≥ > 30: ±0.3  
 ANGLES: ±3°

THIS DRAWING IS A CONTROLLED DOCUMENT.

DIMENSIONS: 単位: 耗 MM

TOLERANCES UNLESS OTHERWISE SPECIFIED: 一般公差

0 PLC ± -  
 1 PLC ± -  
 2 PLC ± -  
 3 PLC ± -  
 4 PLC ± -  
 ANGLES ± -

MATERIAL 材料 SEE 参照 - 5 6

FINISH 仕上 SEE 参照 - 7

DWN -  
 CHK -  
 APVD -  
 PRODUCT SPEC 製品規格  
 APPLICATION SPEC 取付適用規格  
 WEIGHT

**STE** TE Connectivity

NAME 名称: CAP ASSY VERTICAL  
 AMPLIMITE .050 SERIES I B-TO-B CONN.

SIZE: A3 CAGE CODE: 00779 DRAWING NO: C-5173280 RESTRICTED TO: -

SCALE 尺度: 2:1 SHEET: 3 OF 3 REV: A2