

REV.	DESCRIPTION	DATE
A	RELEASE	2016.06.08

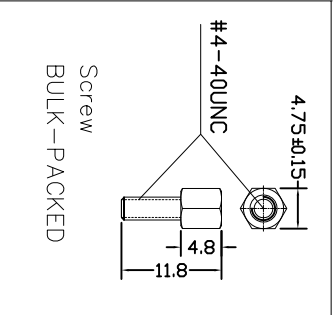
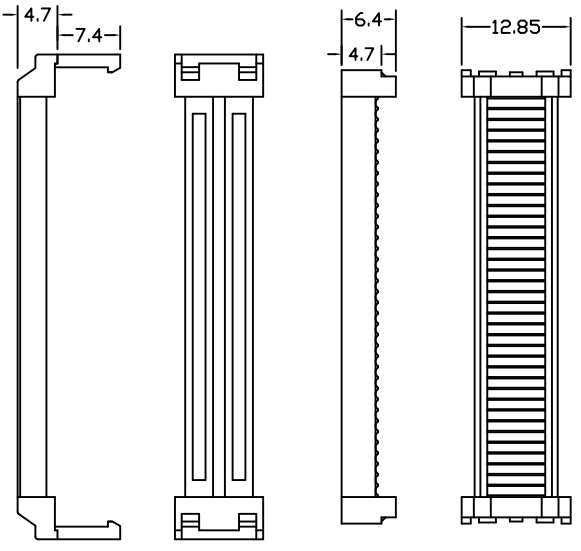
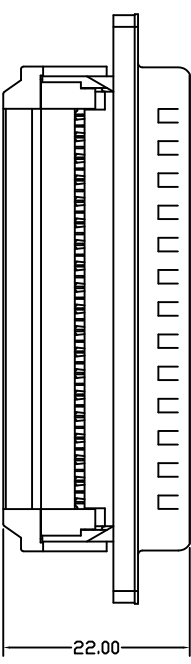
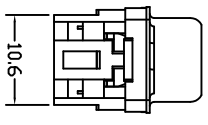
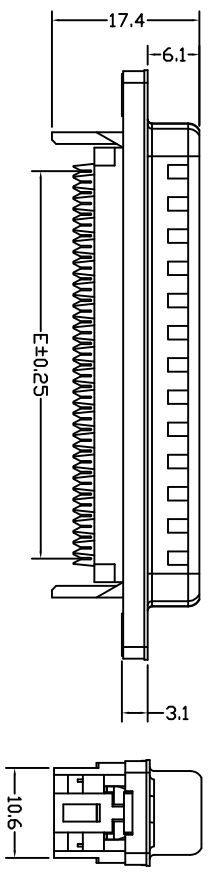
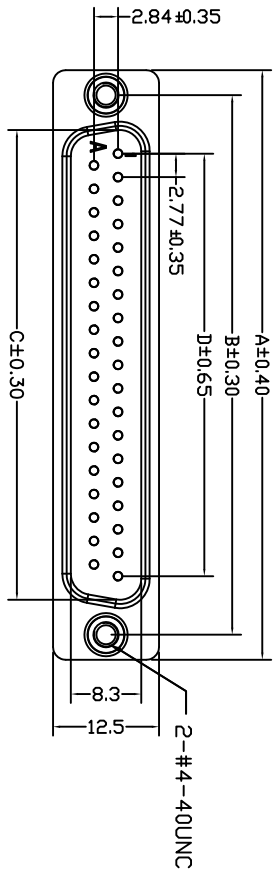
RoHS

MATERIAL&FINISH

Insulator: PBT Glass Fiber(UL94V-0)
 Contact Material: Terminal Brass.
 Contact Plating : Terminal Gold-Plated Over Nickel.
 Shell Nickel.

SPECIFICATIONS

Current Rating :1A AC, DC
 Voltage Rating : 250V AC, DC
 Temperature Range:-40° C To+105° C
 Contact Resistance:20MΩ Max
 Insulation Resistance:1000MΩ Min
 Withstanding Voltage:500V AC/Min



NUMBER OF POSITIONS	DIMENSION				
	A	B	C	D	E
09	30.80	25.00	16.95	11.08	10.16
15	39.14	33.30	25.3	19.39	17.78
25	53.05	47.04	38.96	33.24	30.48
37	69.32	63.50	55.42	49.86	45.72

UNLESS TOLERANCE		DRAW BY	Cnc Tech,LLC	
GENERAL	ANGLE	DESIGN BY	Part NO. 410MD-XX-1-004S DRAW NO:	
X. ± 0.30	X' ± 3.0°	CHECK BY		
.X ± 0.20	.X' ± 2.0°	APPROVE BY		
.XX ± 0.15	.XX' ± 1.0°	SCALE		
.XXX ± 0.08	.XXX ± 0.5°	SHEET	UNIT	
		1:1	1/1	MM

