

REV.	DESCRIPTION	DATE
A	RELEASE	2016.05.19

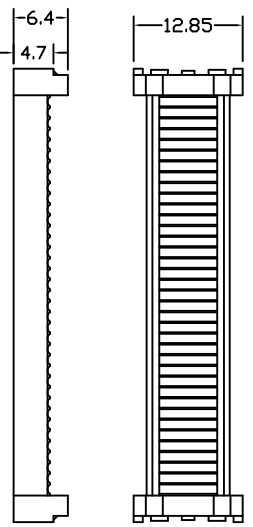
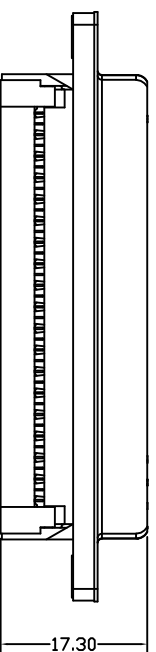
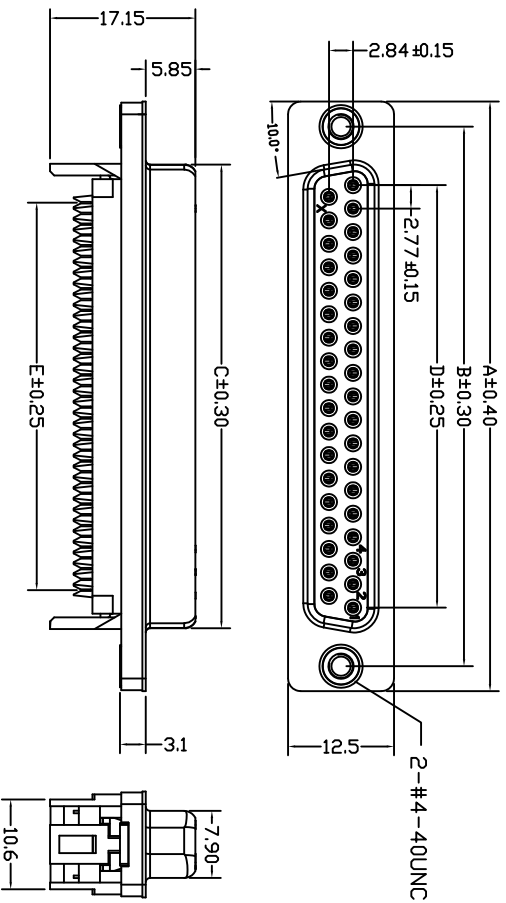
ROHS

MATERIAL&FINISH

Insulator: PBT Glass Fiber (UL94V-0)
 Contact Material: Terminal Brass.
 Contact Plating : Terminal Gold-Plated Over Nickel.
 Shell Nickel.

SPECIFICATIONS

Current Rating : 1A AC, DC
 Voltage Rating : 250V AC, DC
 Temperature Range: -40. C To +105. C
 Contact Resistance: 20MΩ Max
 Insulation Resistan: 1000MΩ Min
 Withstanding Voltage: 500V AC/Min



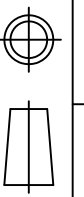
NUMBER OF POSITIONS	DIMENSION				
	A	B	C	D	E
9	30.80	25.00	16.35	11.08	10.16
15	39.14	33.30	24.75	19.39	17.78
25	53.05	47.04	38.35	33.24	30.48
37	69.32	63.50	54.75	49.86	45.72

CnC Tech,LLC

Part NO.

410F0-XX-1-00

UNLESS TOLERANCE		DRAW BY	
GENERAL	ANGLE	DESIGN BY	CHECK BY
X. ± 0.30	X.° ± 3.0°		
.X ± 0.20	.X' ± 2.0'		
.XX ± 0.15	.XX' ± 1.0'		
.XXX ± 0.08	.XXX ± 0.5'		



SCALE	SHEET	UNIT
1:1	1/1	MM

APPROVE BY

DRW NO:

REV: A

