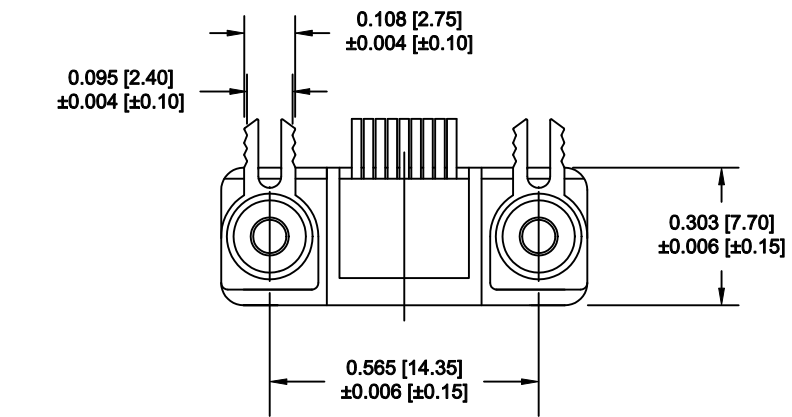
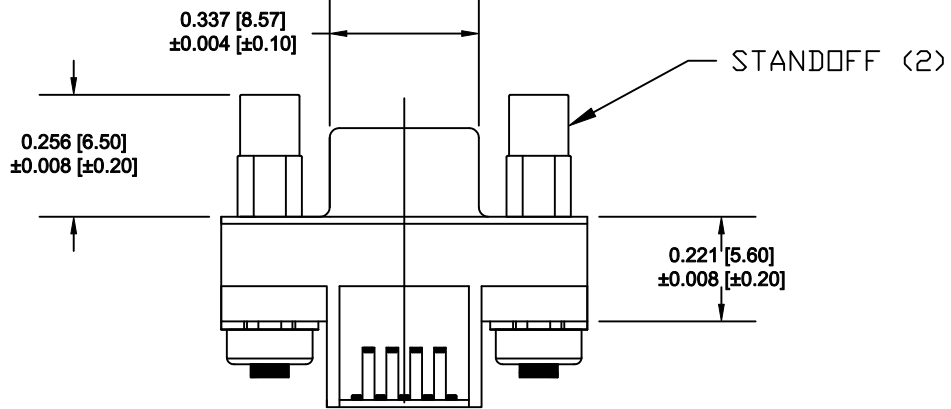
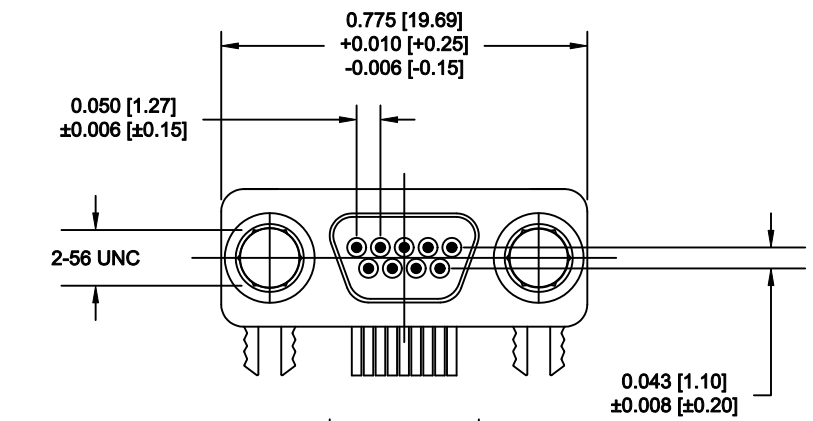


DESCRIPTION: MICRO D-SUB CONNECTOR - MALE - RIGHT ANGLE



**ELECTRICAL**

CONTACT CURRENT RATING: 1 AMP  
 DIELECTRIC WITHSTANDING VOLTAGE: 500 VAC  
 INSULATION RESISTANCE: 1000 MOhms  
 CONTACT RESISTANCE: 45 MILLI Ohms MAX.  
 OPERATING TEMPERATURE: -55°C TO +85°C

**MATERIALS**

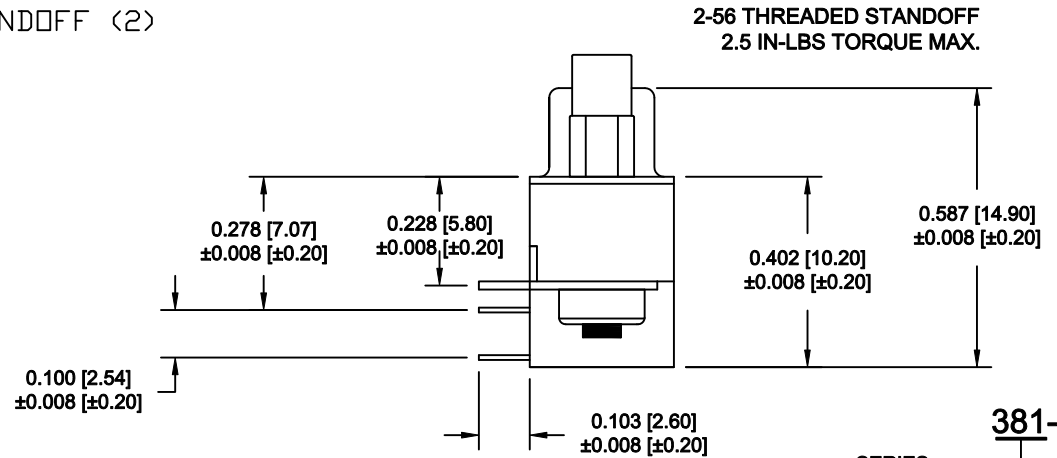
CONTACTS: COPPER ALLOY  
 INSULATOR: THERMOPLASTIC 94V-0  
 SHELL: COLD ROLLER STEEL

**FINISHES**

CONTACT: 15 μ" MIN. GOLD ON MATING END  
 TIN ON TERMINATION END  
 ALL UNDERPLATING NICKEL  
 SHELL: BRIGHT TIN OVER COPPER

**HARDWARE**

2-56 THREADED STANDOFF  
 2.5 IN-LBS TORQUE MAX.



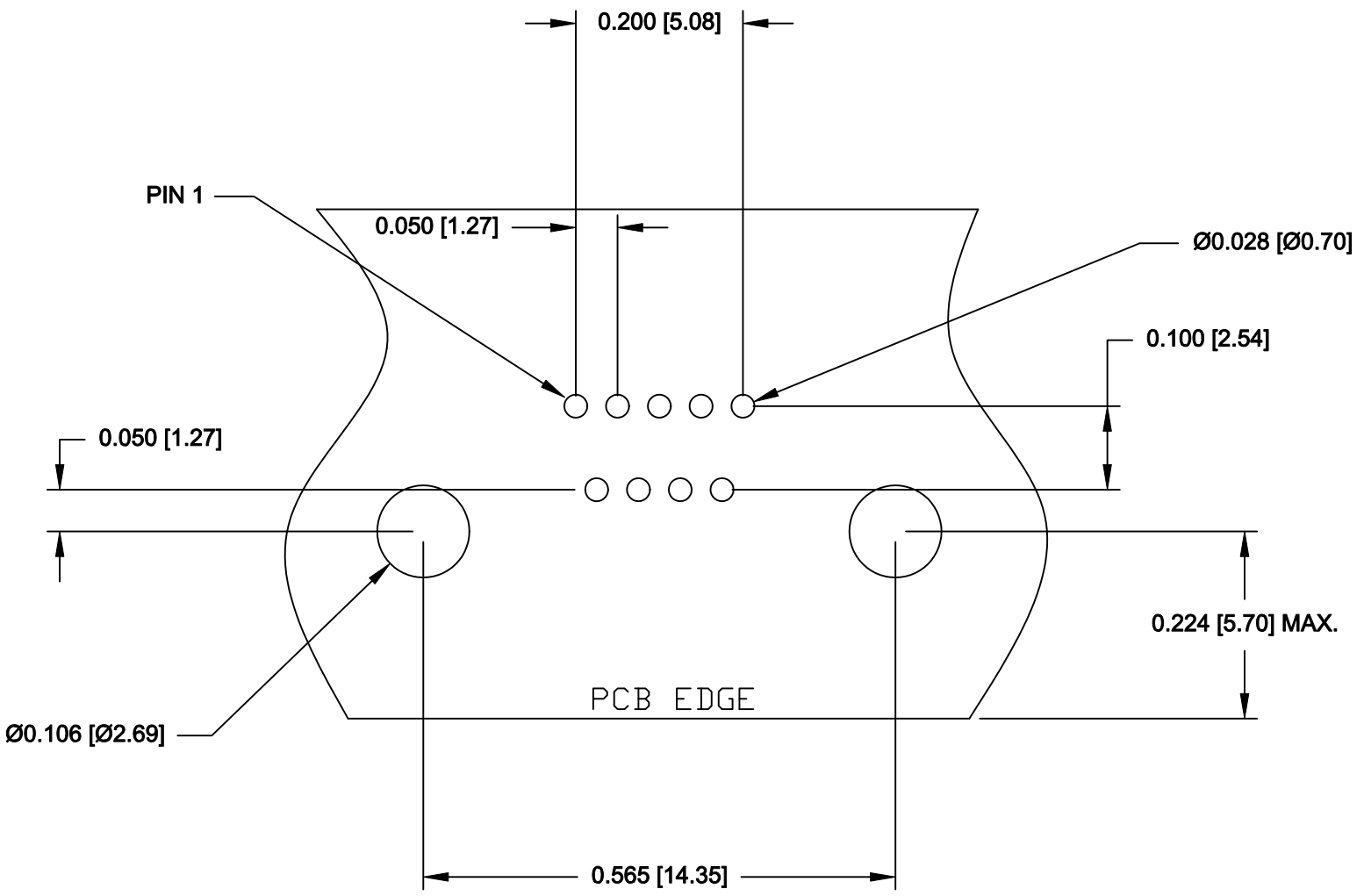
**381-009-112L5Y5**

SERIES  
 POSITIONS  
 GENDER  
 1 = MALE  
 TERMINATION  
 1 = DIP SOLDER  
 SHELL PLATING  
 2 = TIN  
 RoHS COMPLIANT  
 HARDWARE OPTIONS  
 1 = BOARDLOCKS ONLY  
 6 = STANDOFFS & BOARDLOCKS  
 PLATING OPTIONS  
 5 = 15u" GOLD PLATING

DO NOT SCALE FROM DRAWING


	THESE DRAWINGS AND SPECIFICATIONS ARE THE PROPERTY OF NorComp AND SHALL NOT BE REPRODUCED, COPIED OR USED AS THE BASIS FOR THE MANUFACTURE OF SALE OF APPARATUS WITHOUT WRITTEN PERMISSION.		DRAWN: <b>M. SIGMON</b>	DATE: <b>08-18-11</b>
			CHECKED:	DATE:
<h1>NorComp</h1>		SCALE: <b>2.5 : 1</b>	SHEET <b>1</b>	OF <b>2</b>
		DWG NO.		<b>381-009-112L565</b>
			REV <b>3</b>	

**RoHS COMPLIANT**



RECOMMENDED PC BOARD LAYOUT  
(9 POSITION ONLY) TOLERANCE ±0.002 [±0.05]

DO NOT SCALE FROM DRAWING

	THESE DRAWINGS AND SPECIFICATIONS ARE THE PROPERTY OF NorComp AND SHALL NOT BE REPRODUCED, COPIED OR USED AS THE BASIS FOR THE MANUFACTURE OF SALE OF APPARATUS WITHOUT WRITTEN PERMISSION.		DRAWN: <b>M. SIGMON</b>	DATE: <b>08-18-11</b>
			CHECKED:	DATE:
<h1>NorComp</h1>		SCALE: <b>5 : 1</b>	SHEET <b>2</b> OF <b>2</b>	REV <b>3</b>
		DWG NO. <b>381-009-112L565</b>		

RoHS COMPLIANT