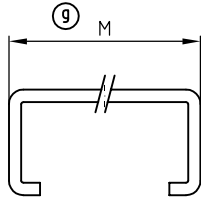
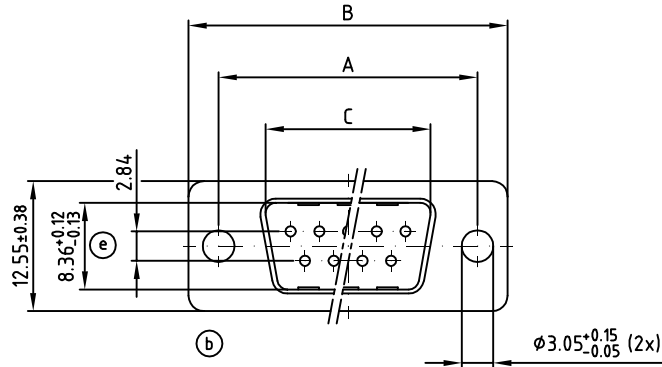


used for: D-SUB IDC CONNECTOR

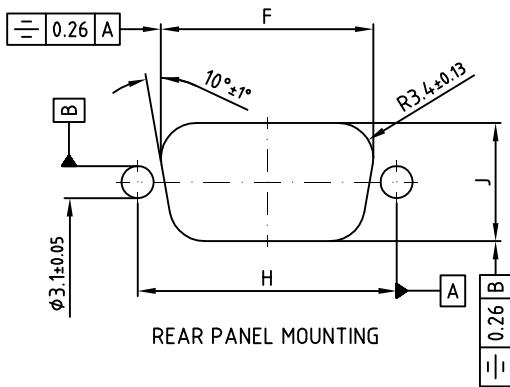
POS.	A ± 0.13 -0.12	B ± 0.25	C ± 0.12 -0.13	D ± 0.25	E	F ± 0.13	G ± 0.13	H ± 0.13	J ± 0.13	K ± 0.13	L ± 0.25	M ± 0.25	Part NO.
9	24.99	30.80	16.92	16.10	5.90 ± 0.15 -0.08	20.5	22.2	25.00	11.4	13.0	19.15	16.10	301A10089X
15	33.32	39.10	25.25	24.00	5.90 ± 0.15 -0.08	28.8	30.5	33.30	11.4	13.0	27.15	24.00	301A10099X
25	47.04	53.09	38.97	38.14	5.90 ± 0.09 -0.14	42.5	44.3	47.04	11.4	13.0	41.45	38.14	301A10109X
37	63.50	69.40	55.43	54.60	5.90 ± 0.09 -0.14	59.1	60.7	63.50	11.4	13.0	57.65	54.60	301A10119X



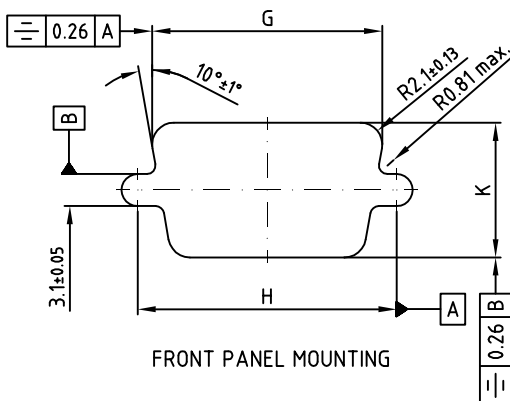
STRAIN RELIEF



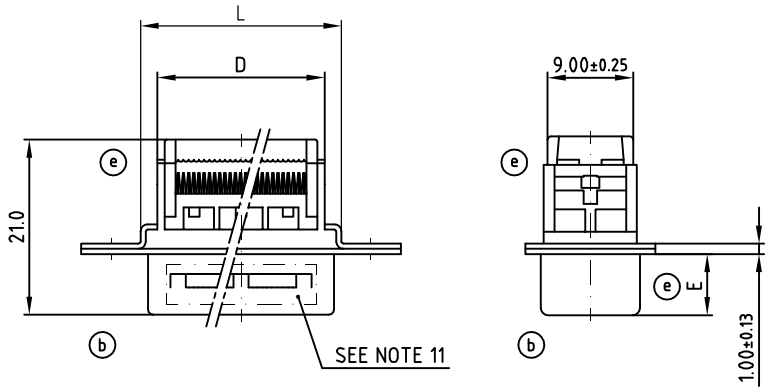
RECOMMENDED PANEL CUT-OUT



REAR PANEL MOUNTING



FRONT PANEL MOUNTING



SPECIFICATION :

- CURRENT RATING : 1 A
- INSULATION RESISTANCE : >1000 M OHM min. (AT 500 V DC)
- DIELECTRIC WITHSTANDING VOLTAGE : AC 500 V min. (FOR 1 MINUTE)
- OPERATING TEMPERATURE : -25°C to 85°C
- CONTACT RESISTANCE : 15m OHM max.
- DIELECTRIC MATERIAL : PBT & GLASS-FIBER REINFORCED UL 94V-0
- SHELL MATERIAL : SPCC, NICKEL PLATED
- CONTACT MATERIAL : BRASS
- CONTACT PLATING : SELECTIVE GOLD over NICKEL
- WIRE SIZE : AWG 26 & 28 STRANDED, 1.27mm CONDUCTOR CENTRE FLAT CABLE
- CONNECTOR IS PART MARKED: PART-NO. CONEC ABC

RoHS compliant

APPROVAL # FREIGABE # DEBLOCAGE # AUTORIZACION # APPROVAL

CUSTOMER APPROVAL DATE:

NAME: TITLE:

COMPANY NAME:

APPROVAL # FREIGABE # DEBLOCAGE # AUTORIZACION # APPROVAL

THIS DRAWING MAY NOT BE COPIED OR REPRODUCED IN ANY WAY, AND MAY NOT BE PASSED ON TO A THIRD PARTY, WITHOUT WRITTEN PERMISSION. OWNERSHIP AND COPYRIGHT OF CONEC Gmbh DO NOT ALTER CAD DRAWING BY HAND

2 x g	Ä6247	27.07.2016	K.H.	2002	date	name
2 x f	Ä6008	03.06.2014	Lehmen	drawn	07.05.	Parei
6 x e	Ä4972	28.10.2013	Lehmen	appd.	07.05.	E. Mickenbecker
1 x d	Ä 2571	07.09.2006	Lehmen	norm		
2 x c	Ä 2568	30.08.2006	Lehmen	d-old		
3 x b	Ä 2561	24.08.2006	Lehmen			
a	Original					
rev.	description	date	name			

tolerance: UNLESS OTHERWISE SPECIFIED TOLERANCE .00 ±0.25 dim. in mm

scale: 2:1

material: SEE SPECIFICATION

title: D-SUB MALE I.D.C. TYPE 9-37pos. for flat cable

dwg no: AutoCAD DIN-A 3 sh:1/1

part no: SEE TABLE