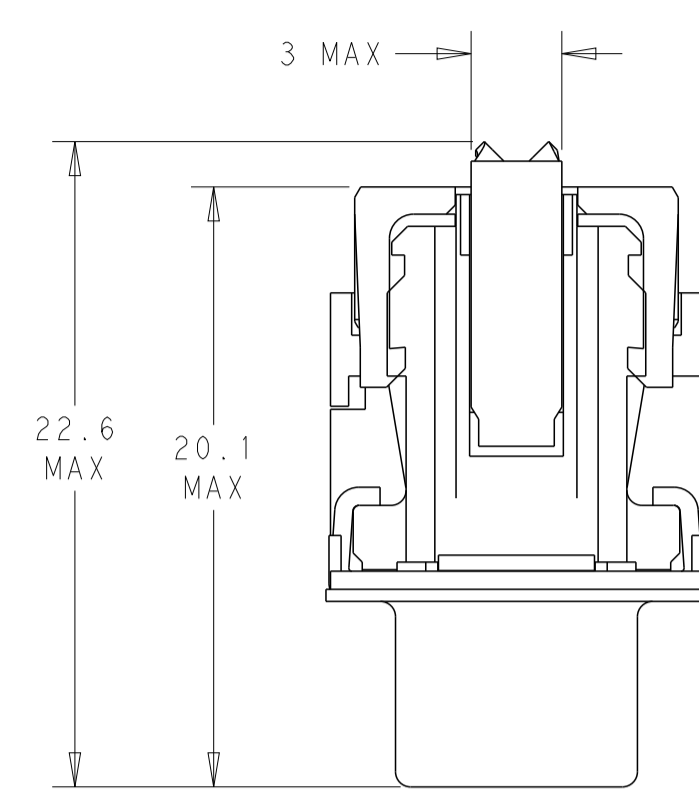
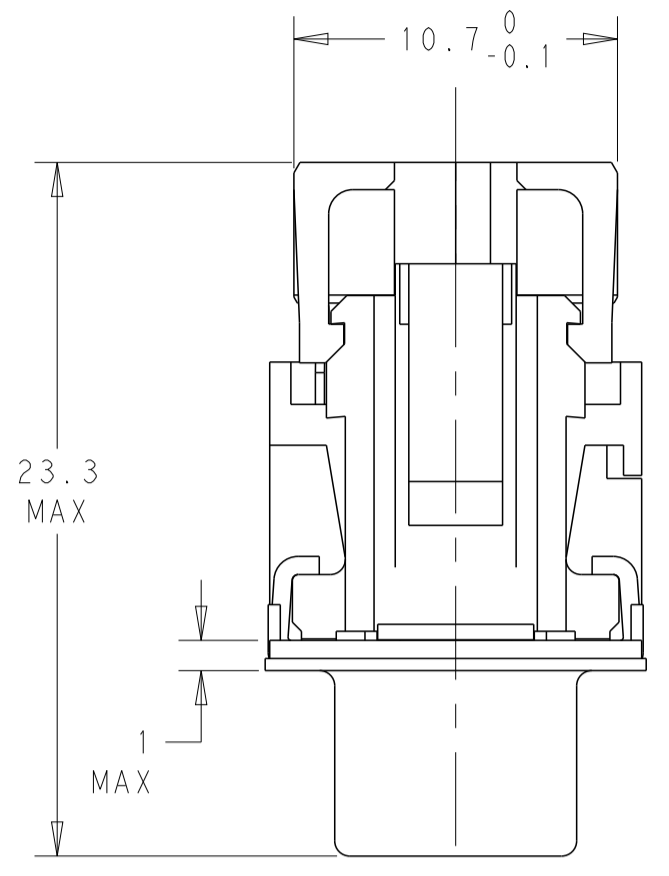
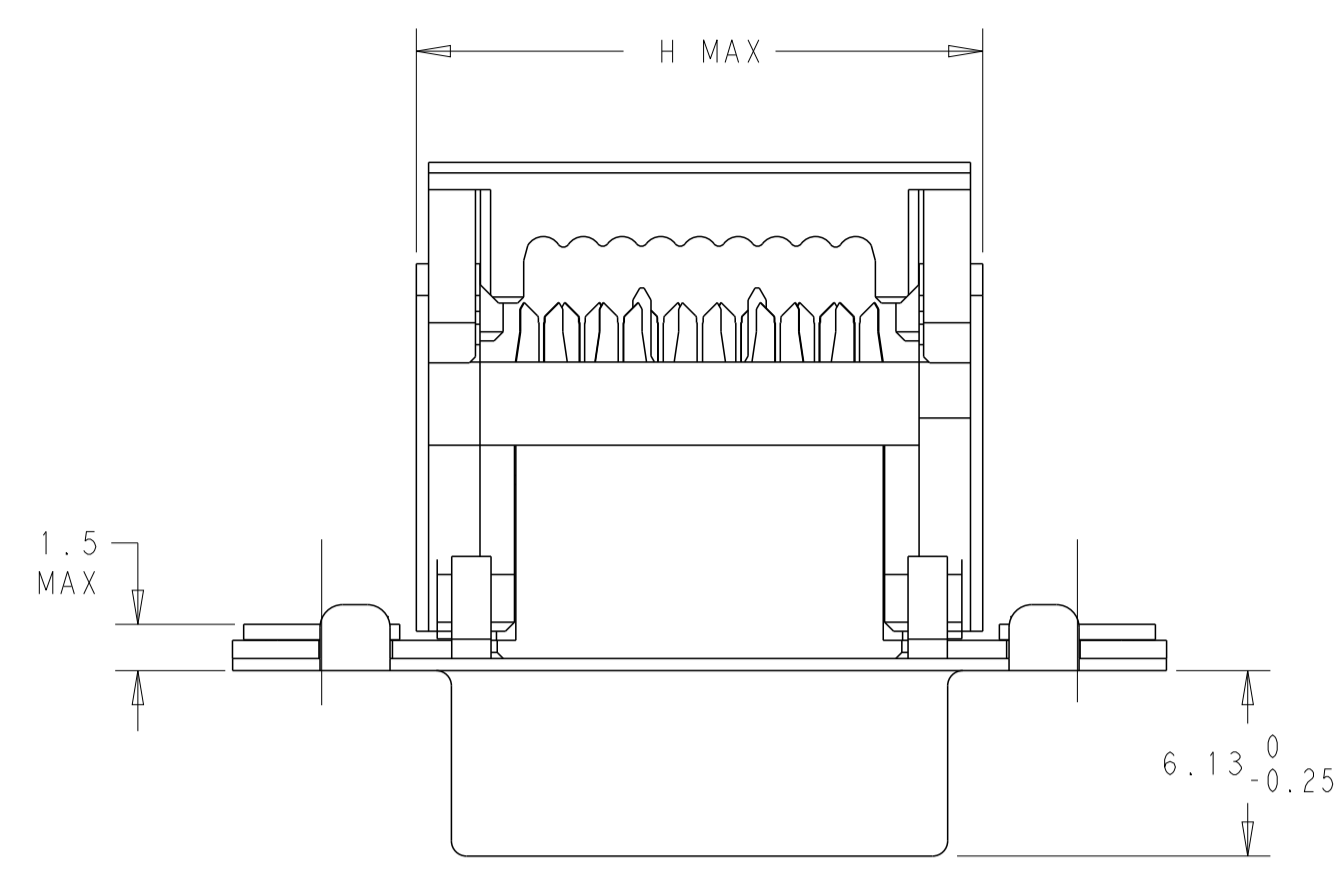


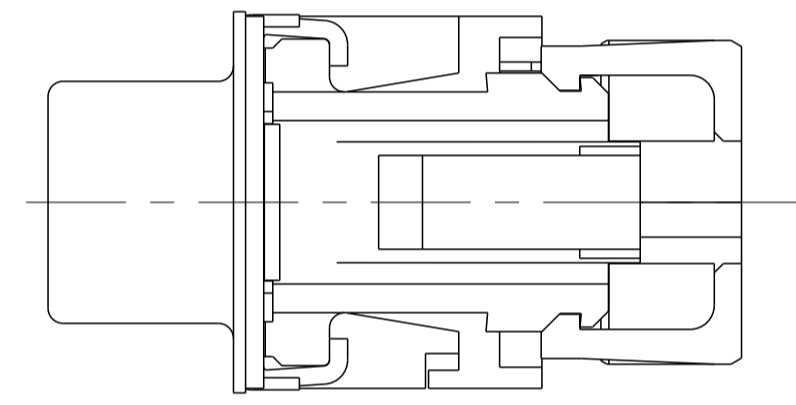
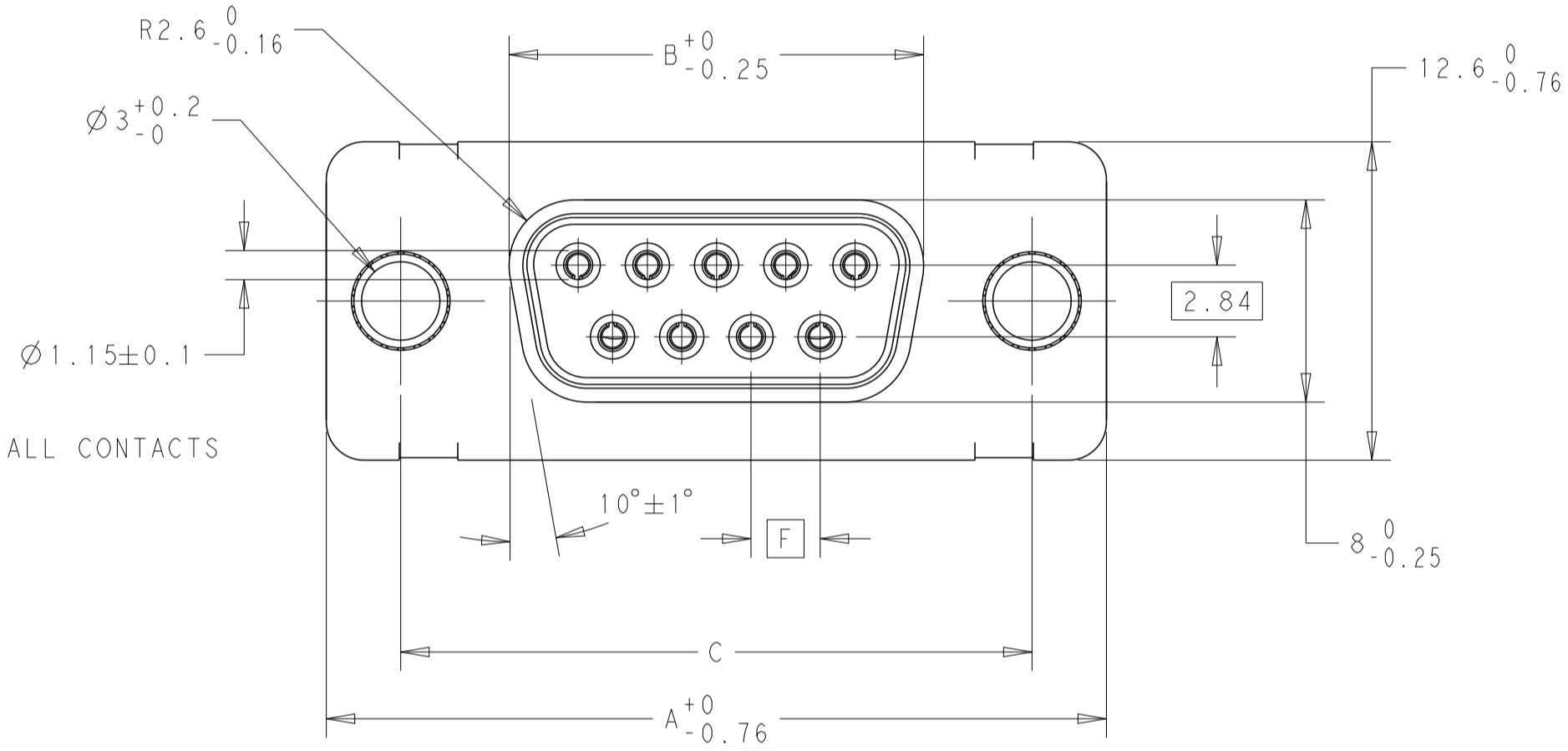
LOC		DIST		REVISIONS			
P	LTN	DESCRIPTION	DATE	OWN	APVD		
GP	00	K	REVISED PER ECO-15-007873	14JUL2015	AP	SB	

COVER IN PRE-CLAMPED POSITION

COVER IN CLAMPED POSITION WITH OPTIONAL STRAIN RELIEF ATTACHED

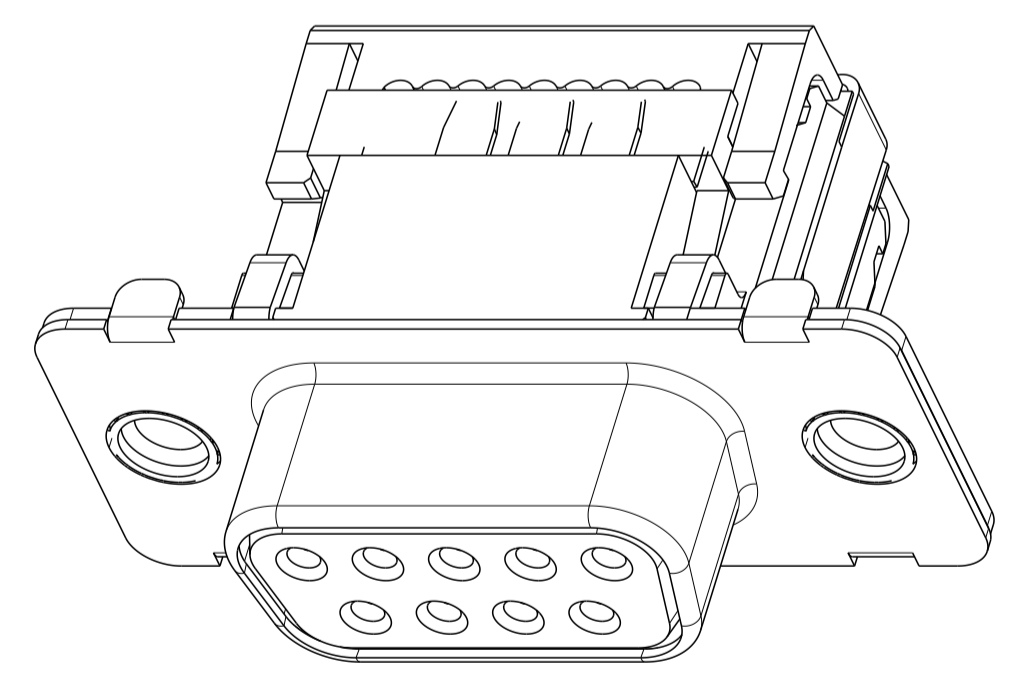
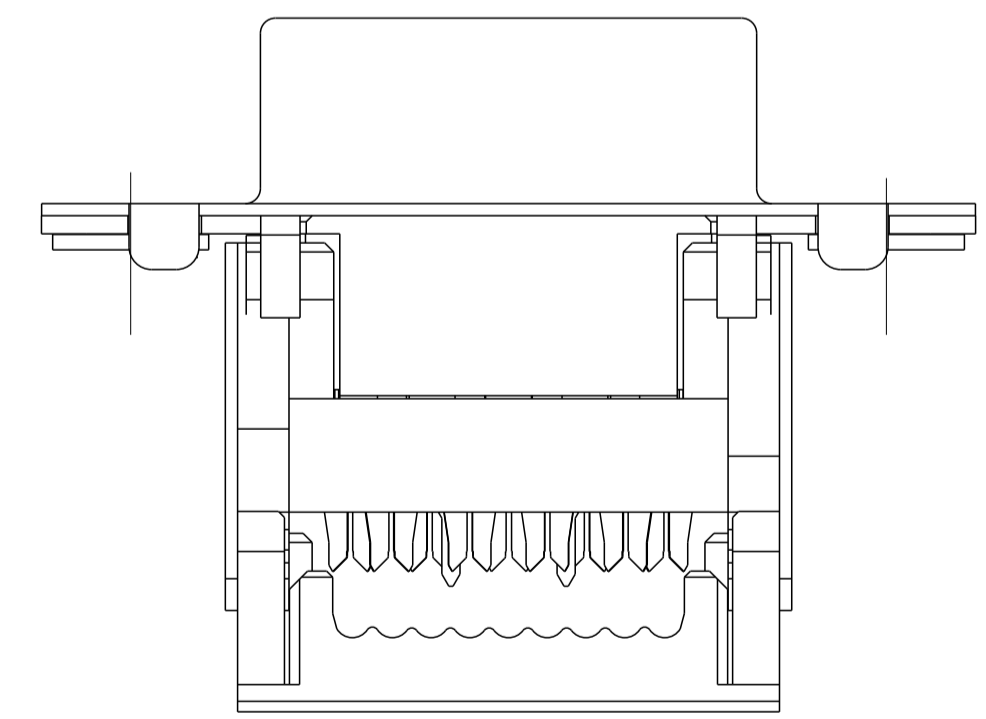


- CABLES TO BE USED:
ALL COMMERCIALY AVAILABLE RIBBON CABLE WITH PVC INSULATION AND TIN OR SILVER PLATED COPPER WIRES. SEE WIRE INFORMATION IN TABLE BELOW.
- 9 POSITION VERSION SHOWN.
- USE ONLY WITH STRAIN RELIEF CLAMP.
- OPTIONAL STRAIN RELIEF CLAMPS:
9 POSITION = 4-1393560-3 (V42254-A4000-D9)
15 POSITION = 4-1393560-5 (V42254-A4000-D15)
25 POSITION = 4-1393560-6 (V42254-A4000-D25)
37 POSITION = 4-1393560-7 (V42254-A4000-D37)
- CONTACTS ARE STAMPED AND FORMED.
- PACKAGED IN BLISTER PACKS.
- PACKAGED ON REELS.
- PLATING DETAILS: ALL MEET PERFORMANCE LEVEL 2 PER DIN 41652 P.2 AND P.4.
UNDERPLATE: NICKEL OVER ENTIRE CONTACT
CONTACT MATING SURFACE ALTERNATE 1: GOLD
CONTACT MATING SURFACE ALTERNATE 2: GOLD FLASH OVER PALLADIUM-NICKEL
IDC WIRE TERMINATION END: MATTE TIN
SHELL PLATING: BRIGHT TIN OVER NICKEL
- FLANGES WITH M3 (BLACK) OR 4-40 (BLUE)
SELF-LOCKING NUTS
TORQUE RETENTION ≥ 70 N-cm

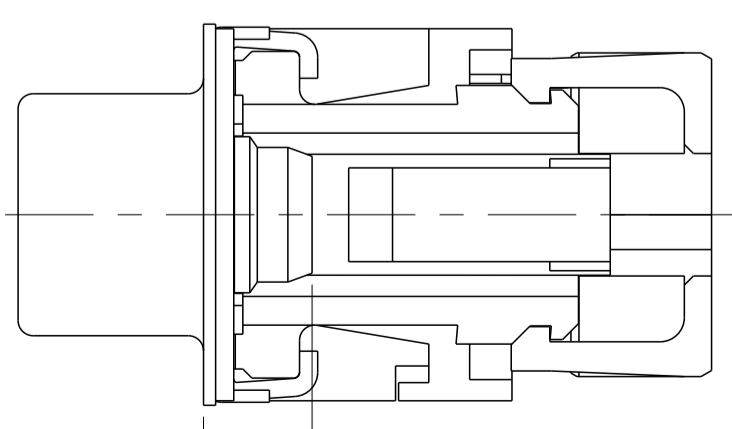
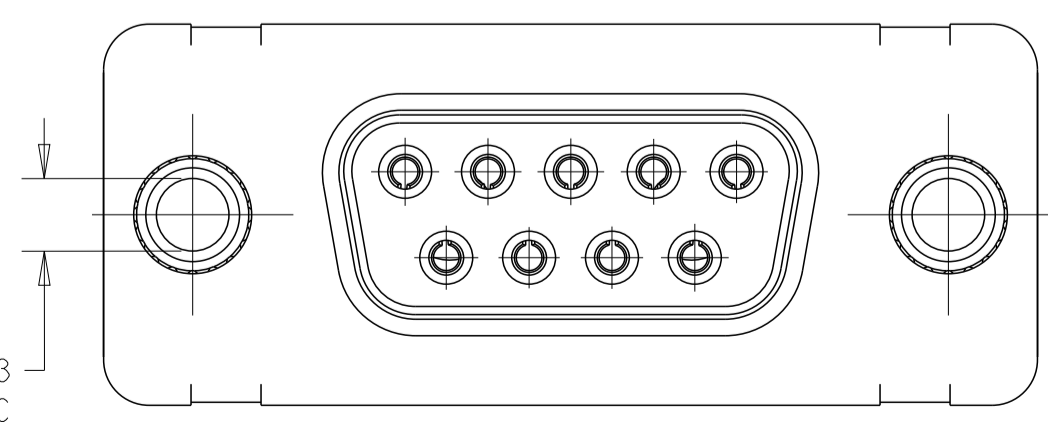


WIRE INFORMATION

OVERALL CONDUCTOR CROSS-SECTIONAL AREA IN mm ²	AWG RANGE	OVERALL CONDUCTOR DIAMETER IN mm ²	NO. OF SINGLE STRANDED WIRES	CONDUCTOR	PVC INSULATING SLEEVE DIA
---	30	0.25	1	SOLID	1.0/1.1
---	28	0.32	1	SOLID	0.8/1.1
0.09	28	---	7	STRANDED	0.8/1.1
0.14	26	---	7	STRANDED	0.8/1.1



FLANGES WITH HOLES



SELF-LOCKING NUT VERSION

TE MARKING	STRAIN RELIEF	PKG	FLANGE OPTION	A	B	C	F	H	NO OF POSITIONS	SIEMENS PART NUMBER	TE CONNECTIVITY PART NUMBER
OBSOLETE	NO	Not Included	3.0 DIAMETER HOLE	39.52	24.79	33.30 +0.15/-0.1	2.74	27.26	15	V42254-A5237-B215	8-1393486-6
	YES	Included	3.0 DIAMETER HOLE	69.70	54.96	63.50 ±0.13	2.76	57.44	37	V42254-A5235-W231	5-1393486-8
	YES	Included	3.0 DIAMETER HOLE	53.42	38.50	47.04 ±0.13	2.76	40.78	25	V42254-A5235-W230	5-1393486-7
	YES	Included	3.0 DIAMETER HOLE	39.52	24.79	33.30 +0.15/-0.1	2.74	27.26	15	V42254-A5235-W229	5-1393486-6
	YES	Included	3.0 DIAMETER HOLE	31.19	16.46	25.00 +0.12/-0.13	2.74	18.73	9	V42254-A5235-W228	5-1393486-5
OBSOLETE	YES	Not Included	3.0 DIAMETER HOLE	69.70	54.96	63.50 ±0.13	2.76	57.44	37	V42254-A5235-B237	3-1393486-7
	YES	Not Included	3.0 DIAMETER HOLE	53.42	38.50	47.04 ±0.13	2.76	40.78	25	V42254-A5235-B225	3-1393486-6
	YES	Not Included	3.0 DIAMETER HOLE	39.52	24.79	33.30 +0.15/-0.1	2.74	27.26	15	V42254-A5235-B215	3-1393486-5
	YES	Not Included	3.0 DIAMETER HOLE	31.19	16.46	25.00 +0.12/-0.13	2.74	18.73	9	V42254-A5235-B209	3-1393486-4
	YES	Not Included	M3 SELF-LOCKING NUTS	31.19	16.46	25.00 +0.12/-0.13	2.74	18.73	9	V42254-A5234-B209	1393486-9
OBSOLETE	YES	Not Included	4-40 SELF-LOCKING NUTS	69.70	54.96	63.50 ±0.13	2.76	57.44	37	V42254-A5232-B237	9-1393485-0
	YES	Not Included	4-40 SELF-LOCKING NUTS	53.42	38.50	47.04 ±0.13	2.76	40.78	25	V42254-A5232-B225	8-1393485-9
	YES	Not Included	4-40 SELF-LOCKING NUTS	39.52	24.79	33.30 +0.15/-0.1	2.74	27.26	15	V42254-A5232-B215	8-1393485-8
	YES	Not Included	4-40 SELF-LOCKING NUTS	31.19	16.46	25.00 +0.12/-0.13	2.74	18.73	9	V42254-A5232-B209	8-1393485-7
OBSOLETE	NO	Not Included	3.0 DIAMETER HOLE	39.52	24.79	33.30 +0.15/-0.1	2.74	27.26	15	V42254-A4237-B215	8-1393485-3

THIS DRAWING IS A CONTROLLED DOCUMENT. DIMENSIONING AND TOLERANCING PER ASME Y14.5M-2009. TOLERANCES UNLESS OTHERWISE SPECIFIED:

mm	0 PLC	±
	1 PLC	±
	2 PLC	±
	3 PLC	±
	4 PLC	±
ANGLES		±1°
FINISH		

MATERIAL: - FINISH: - WEIGHT: -

OWN: RAGHAVENDRA 06MAR2012
 CHK: CARL ROHDE 06MAR2012
 APVD: CARL ROHDE 06MAR2012

NAME: D-SUB IDC FEMALE CONNECTOR

SIZE: A1 CAGE CODE: 8-1393485-7 DRAWING NO: 100779

CUSTOMER DRAWING SCALE: 4:1 SHEET 1 OF 1 REV: K