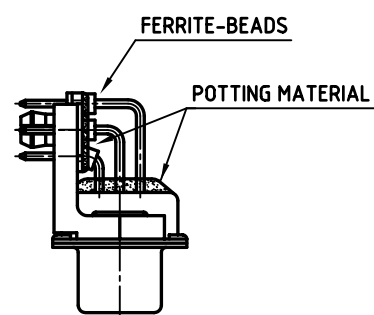
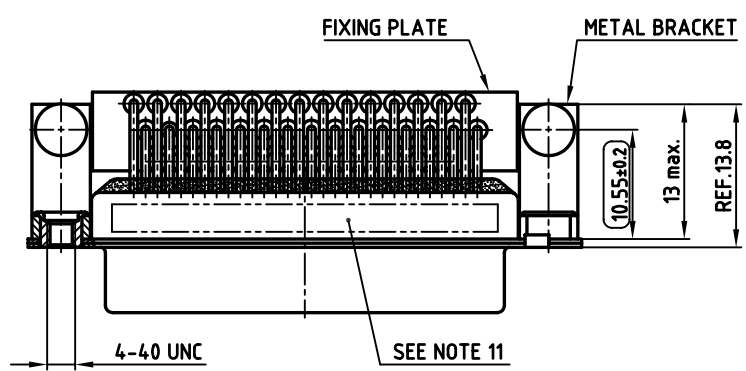
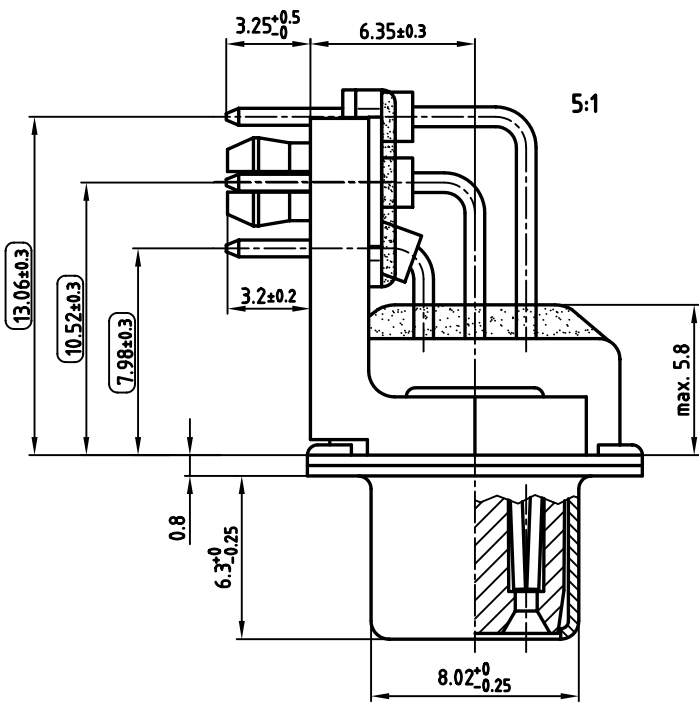
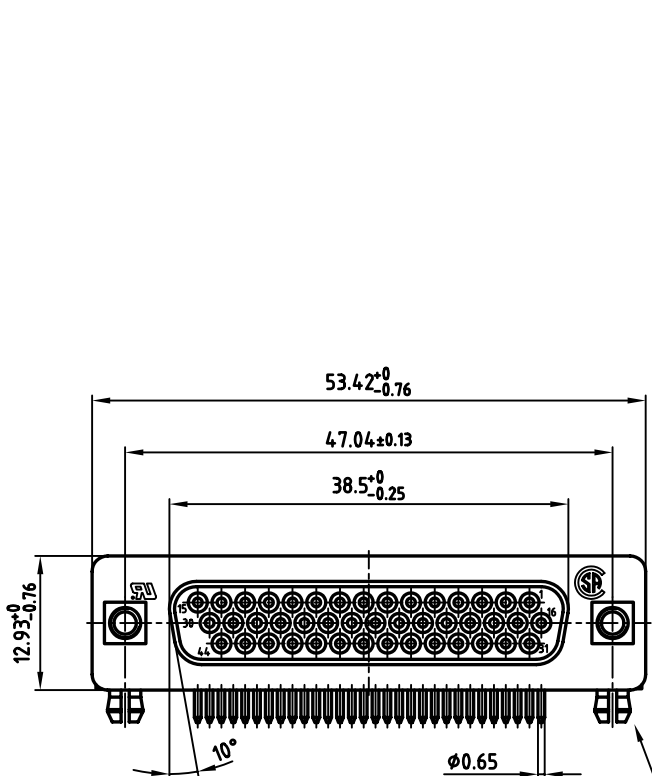
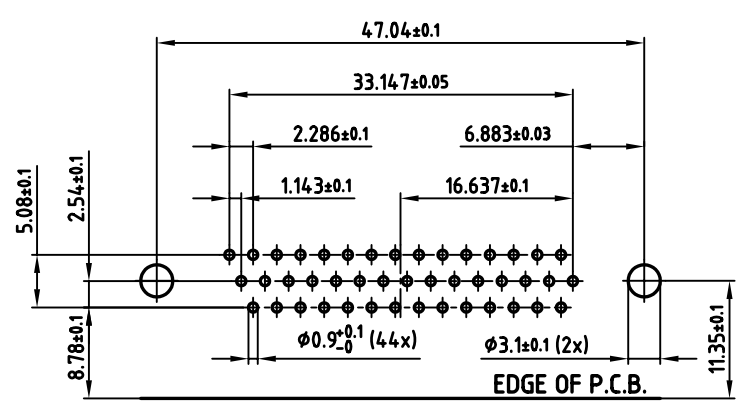


used for: D-SUB FILTER HD



P.C.B. HOLE PATTERN



NOTES:

1. METALSHELLS: STEEL; min. 320µ" TIN
2. INSULATORS: PBT GF UL 94 V-0, BLACK
3. CONTACTS: COPPER ALLOY  
PLATING: 8µ" HARD GOLD OVER min. 50µ" NICKEL
4. METAL BRACKET: STEEL; min. 320µ" TIN over 80µ" NICKEL
5. THREADED INSERT: COPPER ALLOY; min. 200µ" TIN over 80µ" NICKEL
6. PCB-SNAP: COPPER ALLOY; min. 200µ" TIN over 80µ" NICKEL  
PCB-HOLE: Ø3.1±0.1; PCB THICKNESS 1.6mm
7. FIXING-PLATE: PBT GF UL 94 V-0, BLACK
8. CAPACITANCE: 180pF ±20%
9. DIELECTRIC WITHSTANDING VOLTAGE: 300 VDC
10. MAXIMUM TORQUE VALUE FOR THREAD: 6" LBS
11. CONNECTOR IS PART MARKED: 242A26640X CONEC ABC
12. = CHECK DIMENSION

APPROVAL # FREIGABE # DEBLOCAGE # AUTORIZACION # APPROVAL

CUSTOMER APPROVAL DATE:

NAME: TITLE:

COMPANY NAME:

APPROVAL # FREIGABE # DEBLOCAGE # AUTORIZACION # APPROVAL

THIS DRAWING MAY NOT BE COPIED OR REPRODUCED IN ANY WAY, AND MAY NOT BE PASSED ON TO A THIRD PARTY, WITHOUT WRITTEN PERMISSION. OWNERSHIP AND COPYRIGHT OF CONEC GMBH DO NOT ALTER CAD DRAWING BY HAND

rev.	description	date	name

tolerance		scale:	2:1 (5:1)
	dim. in mm	material:	SEE NOTES
2005	date	name	title:
drawn	03.02.	Lehmenkühler	D-SUB HD FILTER FEMALE 90°
appd.	03.02.	Kühle	44pos. 0.314inch
norm			with metal bracket, threaded insert and clip
d-old			dwg no: AutoCAD 2004 DIN-A
			24K1A601
			part no: 242A26640X

dwg no:	AutoCAD 2004	DIN-A
		3
		sh: 1/1