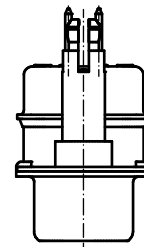
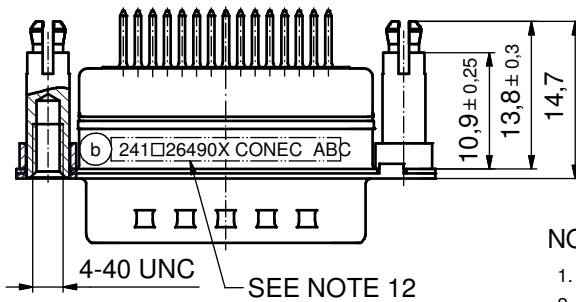
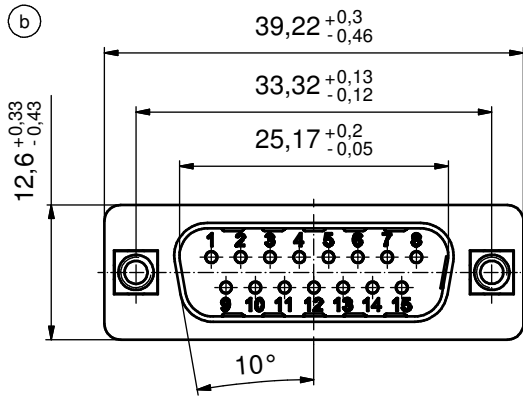
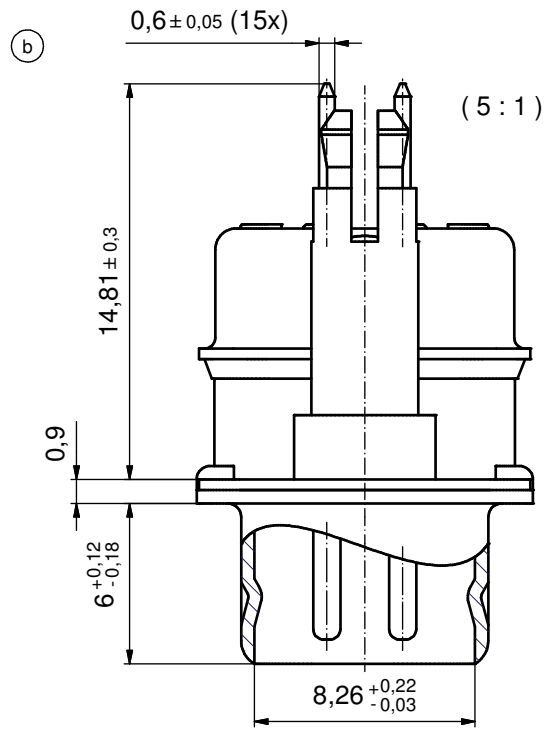
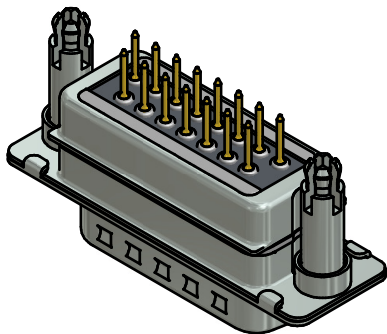


P.C.B. HOLE DRILLINGS
(P.C.B. TOP SIDE)



NOTES: (b)

1. RoHS COMPLIANT
2. FOR WAVESOLDERING (SOLDER BATH TEMPERATURE 260°C FOR 5 SEC. AND SOLDER PREHEAT 100°C FOR 30 SEC.)
3. METALSHELLS: STEEL; min. 315µin TIN over 40-80µin NICKEL
4. INSULATOR: HIGH TEMPERATURE PLASTIC UL 94 V-0; BLACK
5. CONTACTS: COPPER ALLOY; PLATING (SEE PART NO.):
□ PLEASE ADD A for GOLD FLASH over NICKEL (PREFERRED TYPE)
□ PLEASE ADD B for 20µin HARD GOLD over min. 50µin NICKEL
□ PLEASE ADD C for 30µin HARD GOLD over min. 50µin NICKEL
CONTACTS TAILS PRETINNED
6. THREADED SPACER CLIPS: COPPER ALLOY; min. 200µin TIN over 80µin NICKEL
PCB-HOLE: $\phi 3,1 \pm 0,1$; PCB THICKNESS 1,6mm
7. COLLARS: COPPER ALLOY; min. 200µin TIN over 80µin NICKEL
8. CAPACITANCE: 2 x 1300pF $\pm 20\%$
9. DIELECTRIC WITHSTANDING VOLTAGE: 300 VDC
10. P.C.B. HOLE DRILLINGS SEE SHEET 2
11. MAXIMUM TORQUE VALUE FOR THREAD: 6 in.LB
12. CONNECTOR IS PART MARKED: **241□26490X CONEC ABC**



Directive 2002/95/EC RoHS compliant

THIS DRAWING MAY NOT BE COPIED OR REPRODUCED IN ANY WAY, AND MAY NOT BE PASSED ON TO A THIRD PARTY WITHOUT WRITTEN PERMISSION. OWNERSHIP AND COPYRIGHT OF CONEC GmbH DO NOT ALTER CAD DRAWING BY HAND				tolerance		scale: 2:1 (5:1)
				date	name	material: SEE NOTES
				drawn	06.05.13	Henneboel
				appd.	06.05.13	Fischer
				norm		
				d-old	24K1A930	
6 x b	A4743	06.05.2013	K.H.	title: D-SUB PI FILTER MALE 15pos. SOLDER PIN STRAIGHT with threaded spacer clip		
a	Original					
rev.	description	date	name			sh: 1
						part no: (b) 241□26490X (see note 5)