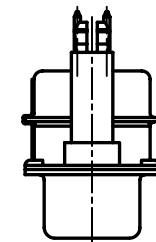
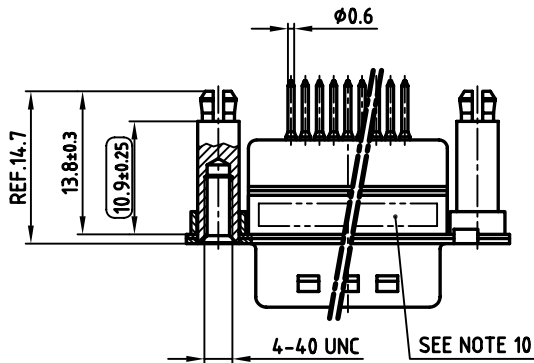
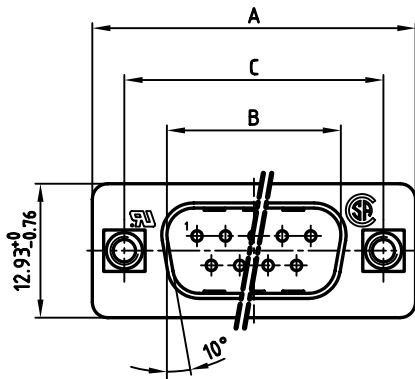
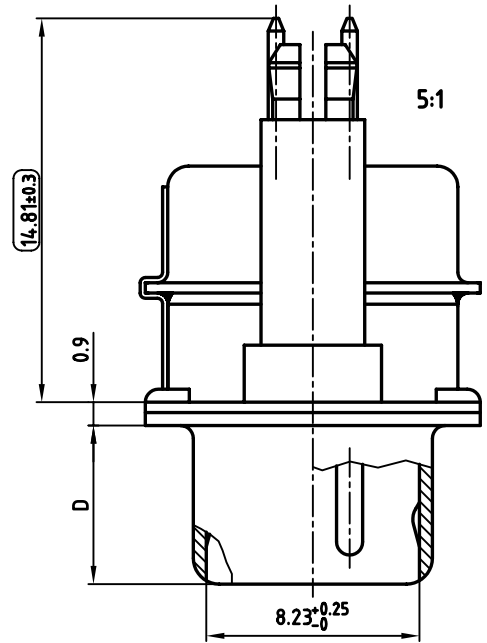


used for: D-SUB π FILTER

POS.	A -0.76	B $+0.25$	C	D -0.3	PART-NO.
9	31.19	16.79	25.00 $\begin{smallmatrix} +0.12 \\ -0.13 \end{smallmatrix}$	6.12	241A26360X
15	39.52	25.12	33.30 $\begin{smallmatrix} +0.15 \\ -0.1 \end{smallmatrix}$	6.12	241A26370X
25	53.42	38.84	47.04 ± 0.13	5.99	241A26380X
37	69.70	55.30	63.50 ± 0.13	5.99	241A26390X



NOTES:

- METALSHELLS: STEEL; min. 320 μ " TIN
- INSULATORS: PBT GF UL 94 V-0, BLACK
- CONTACTS: COPPER ALLOY
PLATING: 8 μ " HARD GOLD OVER min. 50 μ " NICKEL
- THREADED SPACER CLIP: COPPER ALLOY; min. 200 μ " TIN over 80 μ " NICKEL
PCB-HOLE: $\phi 3.1 \pm 0.1$; PCB THICKNESS 1.6mm
- COLLAR: COPPER ALLOY; min. 200 μ " TIN over 80 μ " NICKEL
- P.C.B. HOLE DRILLINGS ON DRAWING NO.: 16K11UA
- CAPACITANCE: 2 x 180pF $\pm 20\%$
- DIELECTRIC WITHSTANDING VOLTAGE: 300 VDC
- MAXIMUM TORQUE VALUE FOR THREAD: 6" LBS
- CONNECTOR IS PART MARKED: PART-NO. CONEC ABC
- = CHECK DIMENSION

Directive 2002/95/EC
 „RoHS“
 Compliant

APPROVAL * FREIGABE * DEBLOCAGE * AUTORIZACION * APPROVAL	
CUSTOMER APPROVAL DATE:	
NAME:	TITLE:
COMPANY NAME:	
APPROVAL * FREIGABE * DEBLOCAGE * AUTORIZACION * APPROVAL	

THIS DRAWING MAY NOT BE COPIED OR REPRODUCED IN ANY WAY, AND MAY NOT BE PASSED ON TO A THIRD PARTY, WITHOUT WRITTEN PERMISSION.
 OWNERSHIP AND COPYRIGHT OF CONEC GmbH
DO NOT ALTER CAD DRAWING BY HAND

tolerance		 dim. in mm	scale: 2:1 (5:1)														
<table border="1" style="width: 100%; font-size: x-small;"> <tr> <td>2004</td> <td>date</td> <td>name</td> </tr> <tr> <td>drawn</td> <td>02.09.</td> <td>Lehmenkühler</td> </tr> <tr> <td>appd.</td> <td>02.09.</td> <td>Mickenbecker</td> </tr> <tr> <td>norm</td> <td colspan="2">DIN 41652</td> </tr> <tr> <td>d-old</td> <td colspan="2"></td> </tr> </table>			2004	date	name	drawn	02.09.	Lehmenkühler	appd.	02.09.	Mickenbecker	norm	DIN 41652		d-old		
2004	date	name															
drawn	02.09.	Lehmenkühler															
appd.	02.09.	Mickenbecker															
norm	DIN 41652																
d-old																	
<table border="1" style="width: 100%; font-size: x-small;"> <tr> <td>rev.</td> <td>description</td> <td>date</td> <td>name</td> </tr> <tr> <td> </td> <td> </td> <td> </td> <td> </td> </tr> </table>			rev.	description	date	name					title: D-SUB π FILTER MALE 9-37pos. SOLDER PIN STRAIGHT with threaded spacer clip						
rev.	description	date	name														
			dwg no: AutoCAD 2004 DIN-A <div style="text-align: center; font-size: 1.5em; font-weight: bold;">24K1A563</div>														
			part no: SEE TABLE														

scale: 2:1 (5:1) material: SEE NOTES	
title: D-SUB π FILTER MALE 9-37pos. SOLDER PIN STRAIGHT with threaded spacer clip	
dwg no: AutoCAD 2004 DIN-A <div style="text-align: center; font-size: 1.5em; font-weight: bold;">24K1A563</div>	
part no: SEE TABLE	