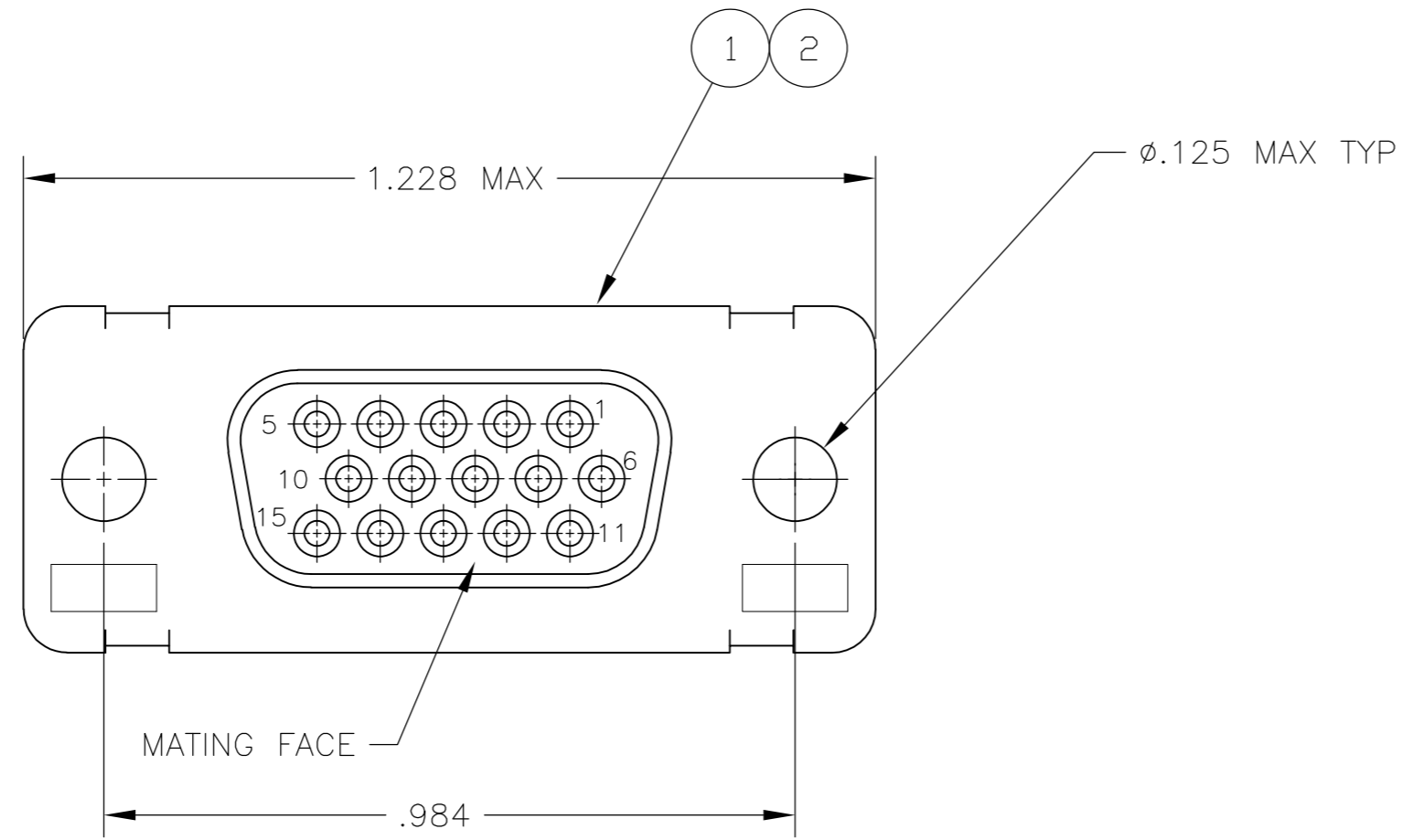
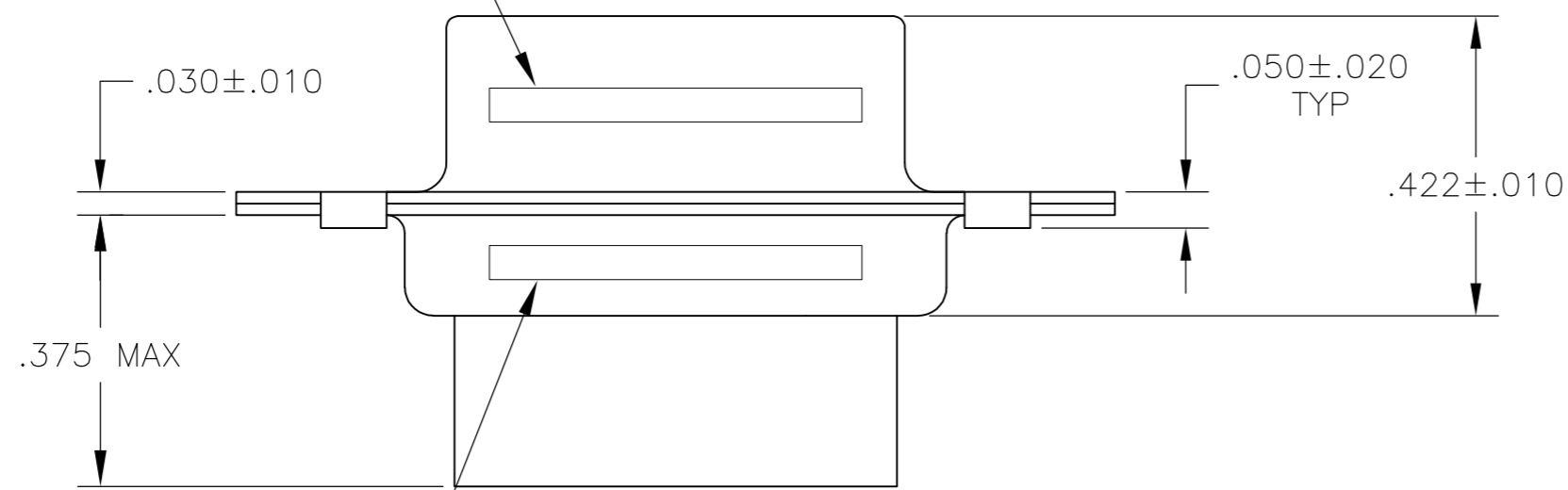


THIS DRAWING IS UNPUBLISHED. RELEASED FOR PUBLICATION
 © COPYRIGHT - By - ALL RIGHTS RESERVED.

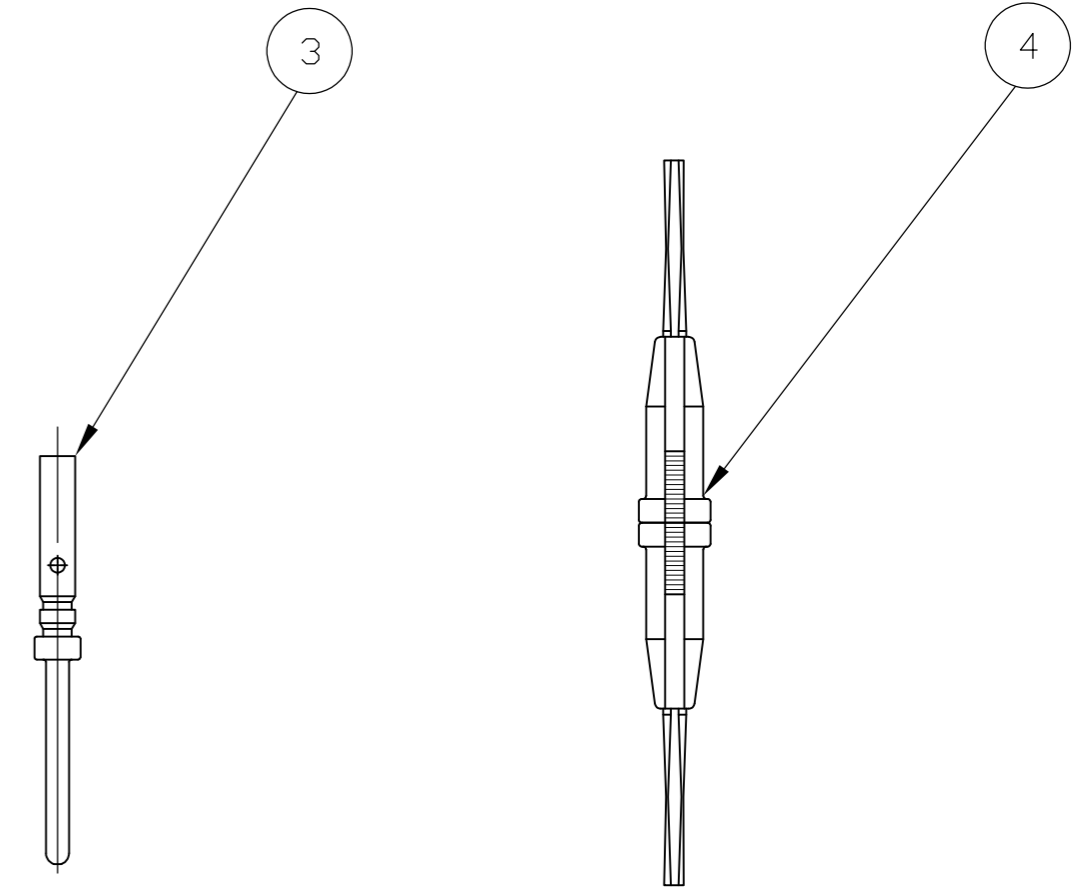
LOC	DIST	REVISIONS					
DF	D5	P	LTR	DESCRIPTION	DATE	DWN	APVD
		H1		REVISED PER ECO-11-005030	11MAR11	RK	HMR



MARK TE & DATE CODE
 PER 115-10002-2
 NEAR SIDE



MARK MILITARY PART NO.
 FAR SIDE PER 115-10002-2
 MARK TE PART NO, NEAR SIDE
 SEE TABLE



OBSOLETE	M24308/8-17F	M24308/8-11F	91067-1	204370-2	204501-2	-	204513-6
OBSOLETE	M24308/8-11F	M24308/8-11F	-	204370-2	204501-2	-	204513-5
OBSOLETE	-	M24308/8-11F	91067-1	-	204501-2	-	204513-4
	M24308/4-17F	M24308/4-11F	91067-1	204370-2	-	204501-1	204513-3
	M24308/4-11F	M24308/4-11F	-	204370-2	-	204501-1	204513-2
	-	M24308/4-11F	91067-1	-	-	204501-1	204513-1
MILITARY P/N ON PACKAGE	MILITARY P/N ON CONNECTOR	(4) INSERT/EXTRACT TOOL QTY = 1	(3) PIN CONTACT QTY = 15	(2) RECEPTACLE ASSY QTY = 1	(1) RECEPTACLE ASSY QTY = 1	PART NUMBER	

THIS DRAWING IS A CONTROLLED DOCUMENT.

DWN	P. YEAGER	15DEC08
CHK	R. LEASE	16DEC08
APVD	R. LEASE	16DEC08

TE TE Connectivity

AMPLIMITE KIT, HDD SERIES
 PLUG, SIZE 1, 15 POSITION

SIZE	A2	CAGE CODE	00779	DRAWING NO	C-204513	RESTRICTED TO	-
SCALE	4:1	SHEET	1 OF 1	REV	H1		

CUSTOMER DRAWING