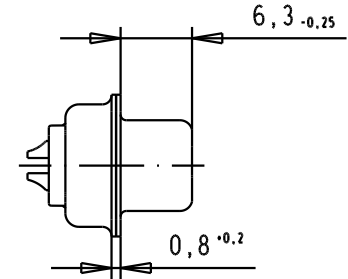
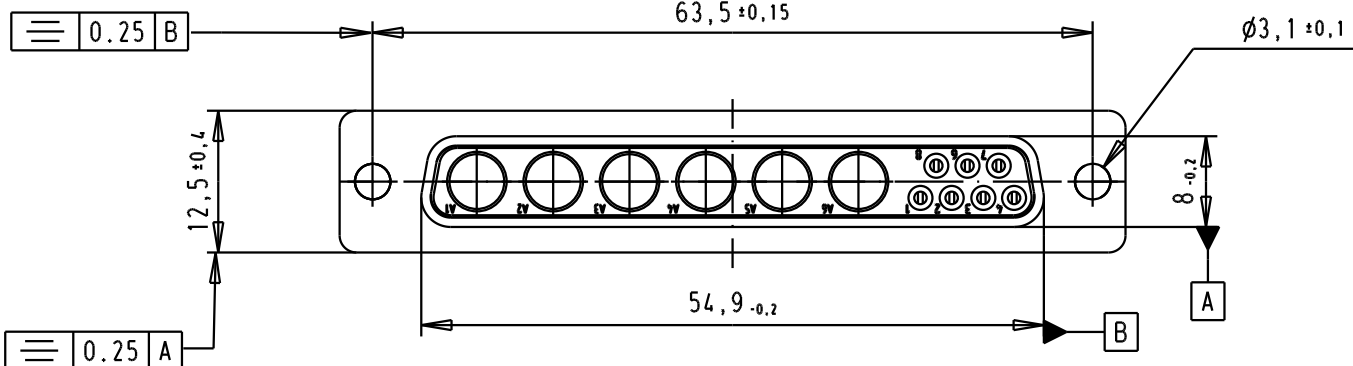
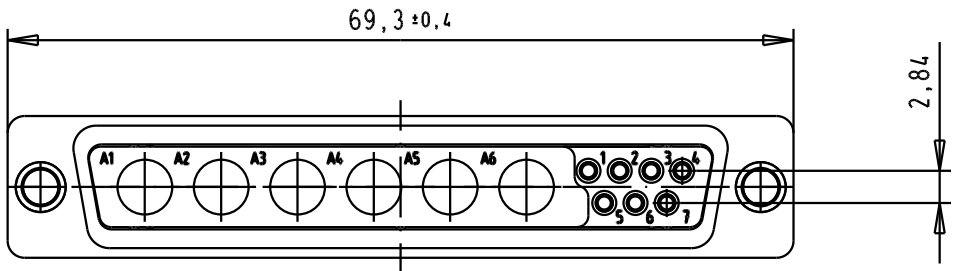


5 4 3 2 1



Solder buckets for AWG 20 Max



D

C

B

A

09 69 401 7136	PL3
09 69 401 5136	S4
Part number	Performance level

33108	23/09/05	JMDR
Mod.	Dat.	Name

	Dat.	Name
Detail.	23/09/05	JMDR
Insp.		
Stand.		
HARTING EURL F-95972 Paris		

All Dim. in mm
Orig. Size DIN A 4

D-sub, female, straight, 13W6 without power contact, solder buckets data contacts, tin plated shell and holes
TB 09 69 401 x136
Sub.

Maßstab/ Scale	1,5:1
Blatt/ Page	1/1