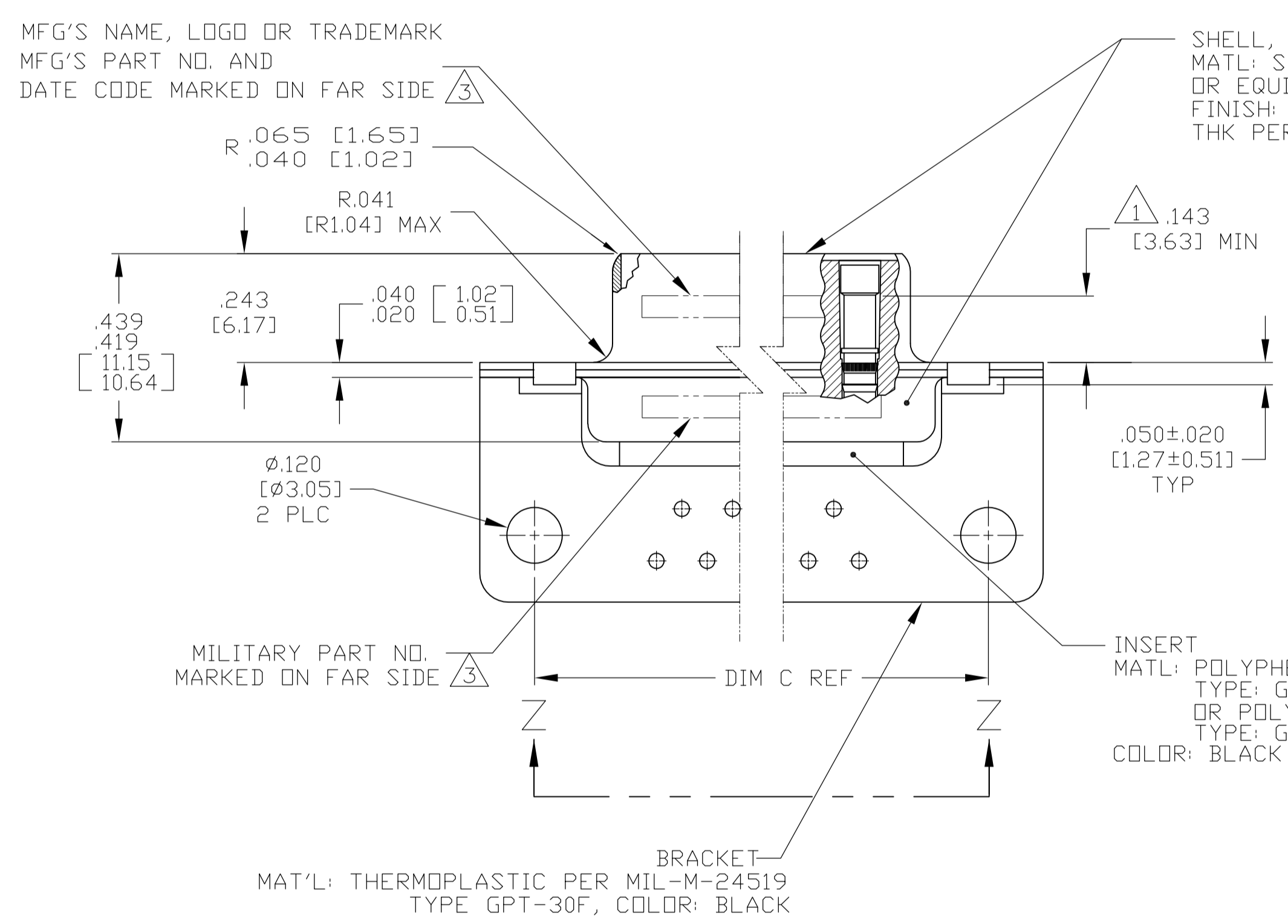


VIEW Z-Z
SHOWN WITH BRACKET REMOVED FOR CLARITY

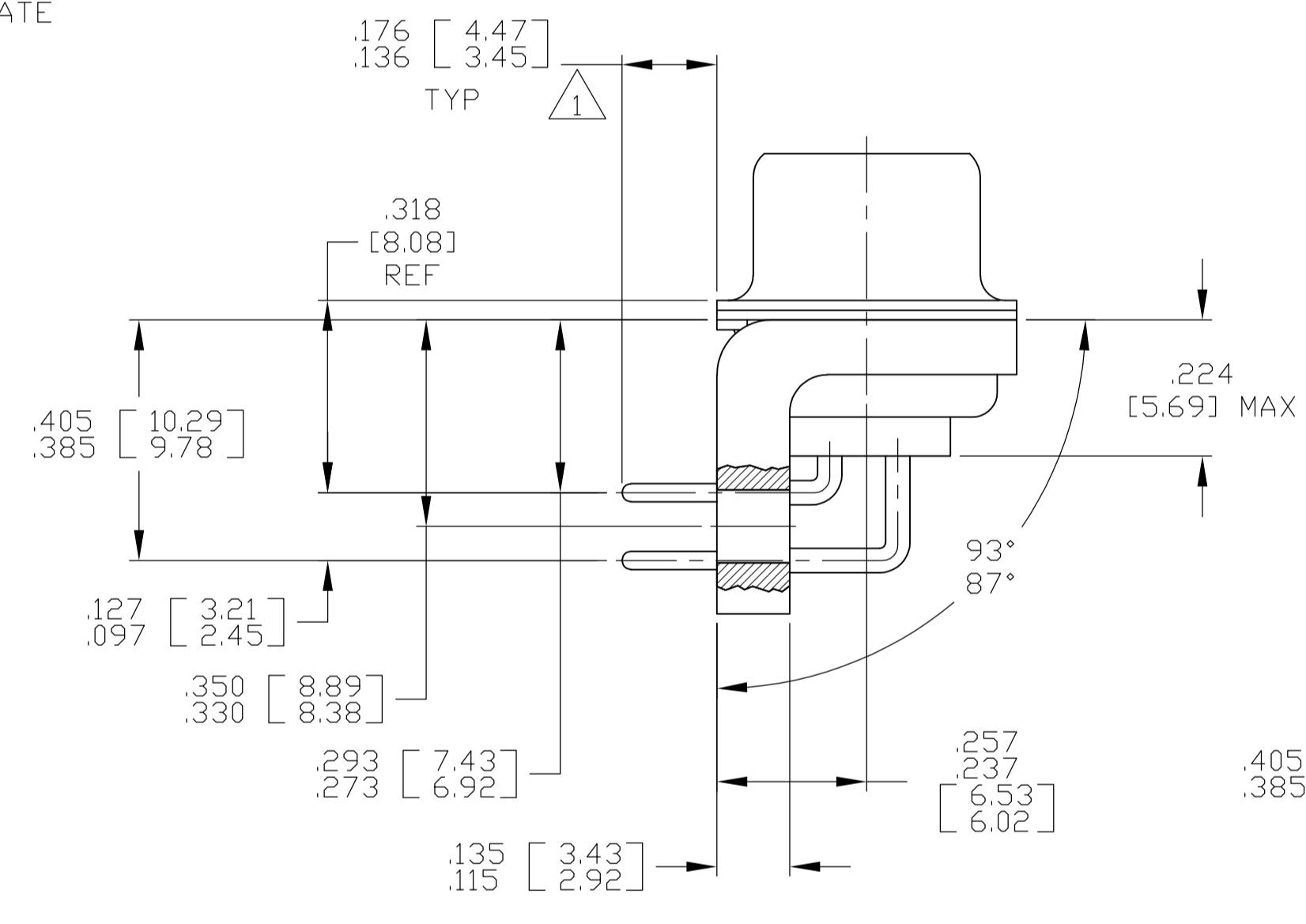
CONTACT (QTY = NO. OF POSN)
MATL: BRASS PER ASTM-B-16, OR BERYLLIUM COPPER PER ASTM-B-194
FINISH: GOLD PER ASTM-B-488, TYPE II, GRADE C, CLASS 1.27 IN CONTACT MATING AREA, .000010 [0.0003] MIN THK GOLD PER ASTM-B-488 OVER .000050 [0.0013] MIN THK NICKEL PER SAE-AMS-QQ-N-290 ON CONTACT BODY

- SEE SHEET 2 FOR RECOMMENDED P.C. BOARD LAYOUT. TRUE POSITION TOLERANCE FOR P.C. BOARD LAYOUT IS .010 [0.25] AT MAX MATERIAL CONDITION. SUGGESTED BOARD THICKNESS IS .062 [1.57]
- THE CONNECTORS DESCRIBED IN THIS DOCUMENT MEET THE REQUIREMENTS OF MIL-C-24308 AND MATE WITH ANY PLUG CONNECTOR WITH SAME INSERT ARRANGEMENT.
- MARKED WITH .047 [1.19]-.062 [1.57] HIGH CHARACTERS. FAR SIDE REFERS TO THE WIDE SIDE OF THE KEYSTONE. NEAR SIDE REFERS TO THE NARROW SIDE OF THE KEYSTONE. IF THE REAR SHELL IS TOO SMALL FOR THE ENTIRE MILITARY PART NUMBER, MARKING SHALL BE LOCATED AS FOLLOWS:
 - "M24308" ON FRONT SHELL, FAR SIDE.
 - SLASH SHEET AND DASH NUMBER ON REAR SHELL, FAR SIDE.
 - "MFG'S NAME, LOGO OR TRADEMARK" AND DATE CODE ON FRONT SHELL, NEAR SIDE.
 - MFG'S PART NUMBER ON REAR SHELL, NEAR SIDE.
 IF THE FRONT SHELL IS TOO SMALL FOR "MFG'S NAME, LOGO OR TRADEMARK", MFG PART NO AND DATE CODE, MARKING SHALL BE SPLIT AS FOLLOWS:
 - MFG'S PART NUMBER ON REAR SHELL, NEAR SIDE.
 - "MFG'S NAME, LOGO OR TRADEMARK" AND DATE CODE ON FRONT SHELL, NEAR SIDE.
 - MILITARY PART NUMBER ON REAR SHELL, FAR SIDE.
- POINT OF ELECTRICAL ENGAGEMENT - AS MEASURED WITH A .0390-.0393 [0.991-0.998] DIA SQUARE ENDED PIN.
- SOLDER DIPPED PER J-STD-001 WITH Sn63 SOLDER PER J-STD-006 IN THE ENTIRE AREA OF DIMENSION SHOWN. (1757838-6 THRU -10 ONLY.)
- MEETS SOLDERABILITY PER MIL-STD-202 METHOD 208.

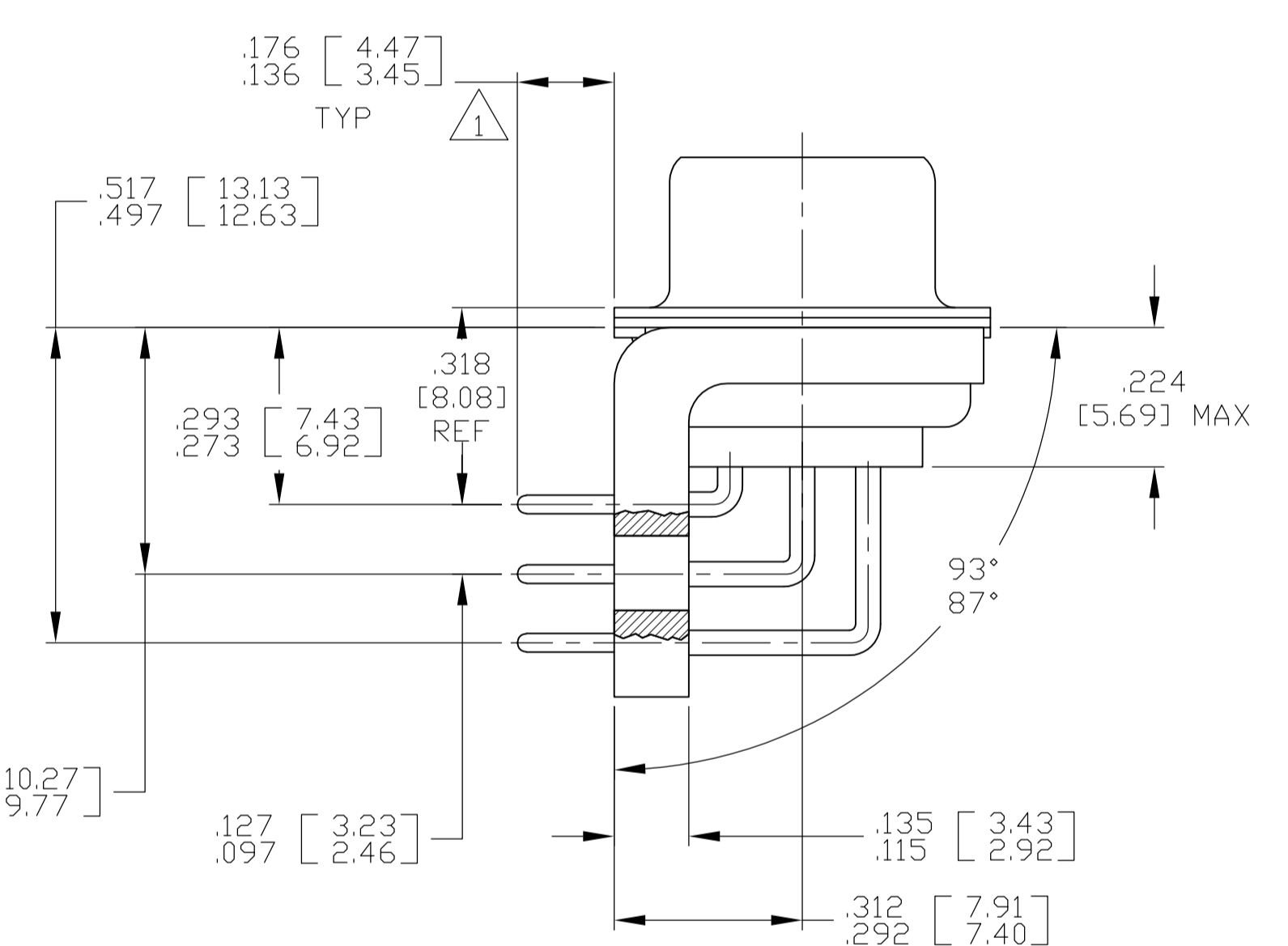


SHELL, FRONT & REAR
MATL: STEEL PER ASTM A 109 OR EQUIVALENT
FINISH: ZINC PLATED .000200 [0.0051] MIN THK PER ASTM-B-633; YELLOW CHROME

INSERT
MATL: POLYPHENYLENE SULFIDE (PPS) TYPE: GST-40F PER MIL-M-24519, OR POLYESTER PER MIL-M-24519, TYPE: GLCP-30F
COLOR: BLACK



SHELL SIZES 1 THRU 4 CONTACT CONFIGURATION



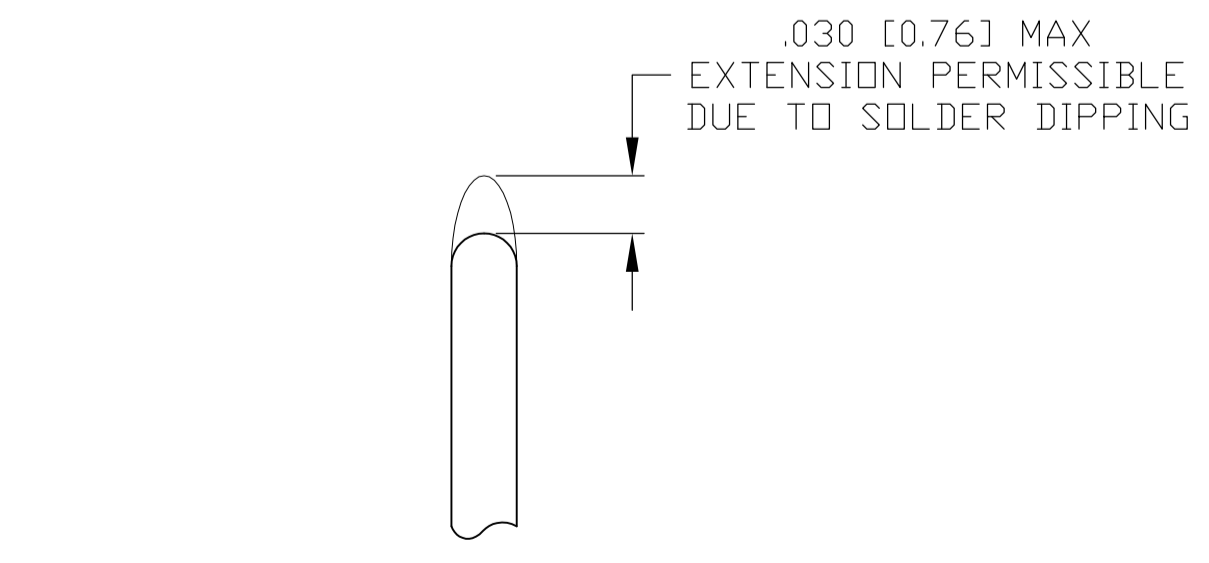
SHELL SIZE 5 CONTACT CONFIGURATION

| | | | | | | | | | | | | | |
|--------------|--------------|---------------|---------------|--------------|--------------|--------------|--------------|---------------|---------------|---------------|---------------|---------------|---------------|
| .544 [13.82] | .524 [13.31] | 2.188 [55.58] | 2.168 [55.07] | .620 [15.75] | .590 [14.99] | .428 [10.87] | .418 [10.62] | 2.411 [61.24] | 2.401 [60.99] | 2.069 [52.55] | 2.059 [52.30] | 2.650 [67.31] | 2.620 [66.55] |
| .432 [10.97] | .412 [10.46] | 2.282 [57.96] | 2.262 [57.45] | .509 [12.93] | .479 [12.17] | .316 [8.03] | .306 [7.77] | 2.505 [63.63] | 2.495 [63.37] | 2.164 [54.97] | 2.154 [54.71] | 2.744 [69.70] | 2.714 [68.94] |
| .432 [10.97] | .412 [10.46] | 1.635 [41.53] | 1.615 [41.02] | .509 [12.93] | .479 [12.17] | .316 [8.03] | .306 [7.77] | 1.857 [47.17] | 1.847 [46.91] | 1.516 [38.51] | 1.506 [38.25] | 2.103 [53.42] | 2.073 [52.65] |
| .432 [10.97] | .412 [10.46] | 1.093 [27.76] | 1.073 [27.25] | .509 [12.93] | .479 [12.17] | .316 [8.03] | .306 [7.77] | 1.317 [33.45] | 1.307 [33.20] | .976 [24.79] | .966 [24.54] | 1.556 [39.52] | 1.526 [38.76] |
| .432 [10.97] | .412 [10.46] | .769 [19.53] | .749 [19.02] | .509 [12.93] | .479 [12.17] | .316 [8.03] | .306 [7.77] | .989 [25.12] | .979 [24.87] | .648 [16.46] | .638 [16.21] | 1.228 [31.19] | 1.198 [30.43] |
| .544 [13.82] | .524 [13.31] | 2.188 [55.58] | 2.168 [55.07] | .620 [15.75] | .590 [14.99] | .428 [10.87] | .418 [10.62] | 2.411 [61.24] | 2.401 [60.99] | 2.069 [52.55] | 2.059 [52.30] | 2.650 [67.31] | 2.620 [66.55] |
| .432 [10.97] | .412 [10.46] | 2.282 [57.96] | 2.262 [57.45] | .509 [12.93] | .479 [12.17] | .316 [8.03] | .306 [7.77] | 2.505 [63.63] | 2.495 [63.37] | 2.164 [54.97] | 2.154 [54.71] | 2.744 [69.70] | 2.714 [68.94] |
| .432 [10.97] | .412 [10.46] | 1.635 [41.53] | 1.615 [41.02] | .509 [12.93] | .479 [12.17] | .316 [8.03] | .306 [7.77] | 1.857 [47.17] | 1.847 [46.91] | 1.516 [38.51] | 1.506 [38.25] | 2.103 [53.42] | 2.073 [52.65] |
| .432 [10.97] | .412 [10.46] | 1.093 [27.76] | 1.073 [27.25] | .509 [12.93] | .479 [12.17] | .316 [8.03] | .306 [7.77] | 1.317 [33.45] | 1.307 [33.20] | .976 [24.79] | .966 [24.54] | 1.556 [39.52] | 1.526 [38.76] |
| .432 [10.97] | .412 [10.46] | .769 [19.53] | .749 [19.02] | .509 [12.93] | .479 [12.17] | .316 [8.03] | .306 [7.77] | .989 [25.12] | .979 [24.87] | .648 [16.46] | .638 [16.21] | 1.228 [31.19] | 1.198 [30.43] |

| | | | | | |
|-----------|----|---|---------------|-----------|-------------|
| MS18277-1 | 50 | 5 | M24308/23-35Z | 1757838-5 | 1-1757838-0 |
| MS18276-1 | 37 | 4 | M24308/23-34Z | 1757838-4 | 1757838-9 |
| MS18275-1 | 25 | 3 | M24308/23-33Z | 1757838-3 | 1757838-8 |
| MS18274-1 | 15 | 2 | M24308/23-32Z | 1757838-2 | 1757838-7 |
| MS18273-1 | 9 | 1 | M24308/23-31Z | 1757838-1 | 1757838-6 |
| MS18277-1 | 50 | 5 | M24308/23-35Z | 1757838-5 | 1757838-5 |
| MS18276-1 | 37 | 4 | M24308/23-34Z | 1757838-4 | 1757838-4 |
| MS18275-1 | 25 | 3 | M24308/23-33Z | 1757838-3 | 1757838-3 |
| MS18274-1 | 15 | 2 | M24308/23-32Z | 1757838-2 | 1757838-2 |
| MS18273-1 | 9 | 1 | M24308/23-31Z | 1757838-1 | 1757838-1 |

DIM J DIM H DIM E DIM D DIM C DIM B DIM A

INSERT ARRANGEMENT NO OF POS SHELL SIZE MILITARY P/N MARKED ON CONNECTOR MFG P/N MARKED ON CONNECTOR MFG PART NO.



DETAIL K
SCALE 10:1
FOR 1757838-6 THRU -10 ONLY

THIS DRAWING IS A CONTROLLED DOCUMENT.

APPROVED: D. MILLER 3-27-06

DATE: 3-27-06

DESIGNER: C. C. THOMAS 3-22-06

DRWING NO: 00779

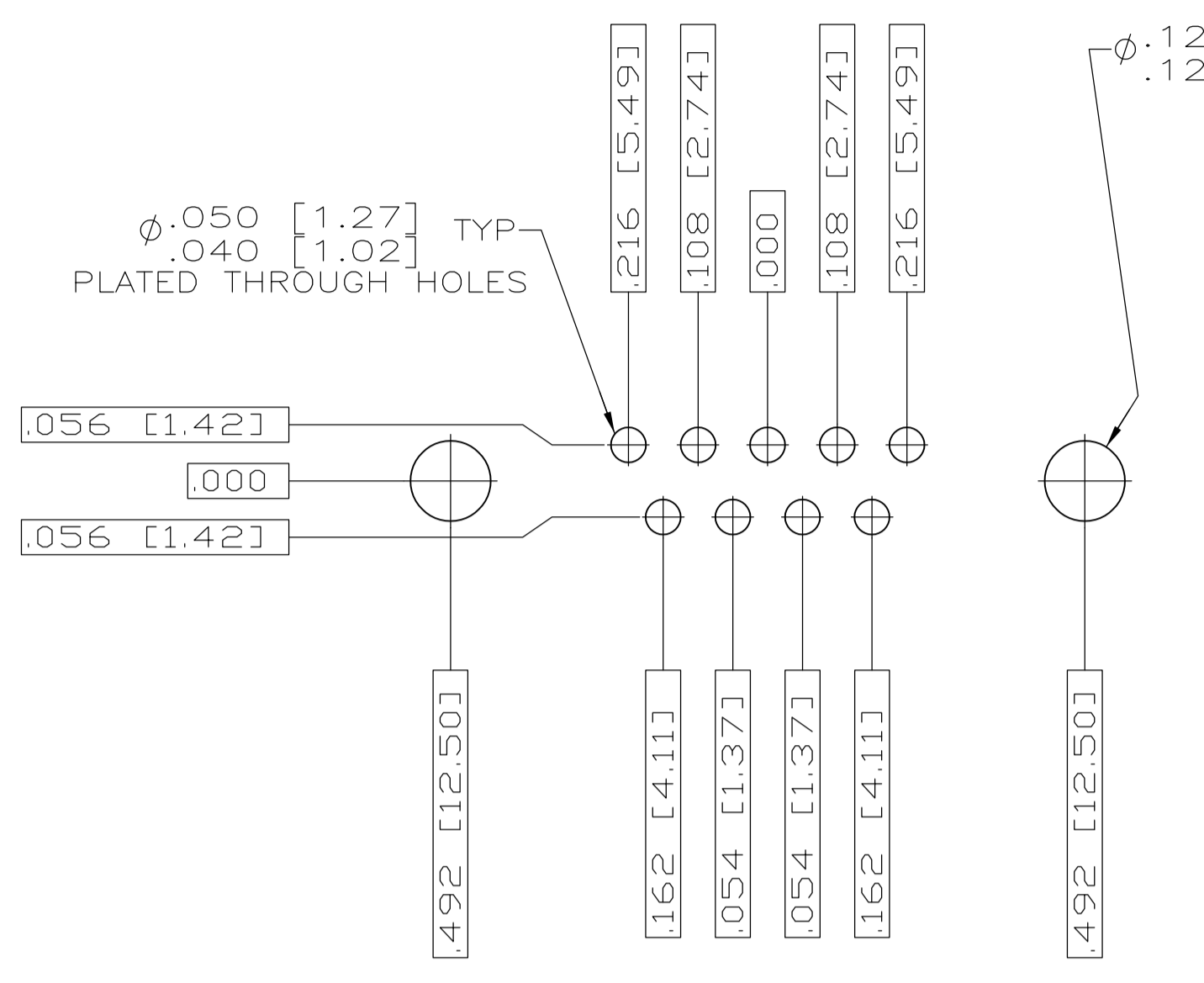
SCALE: 4:1

SHEET: 1 OF 2

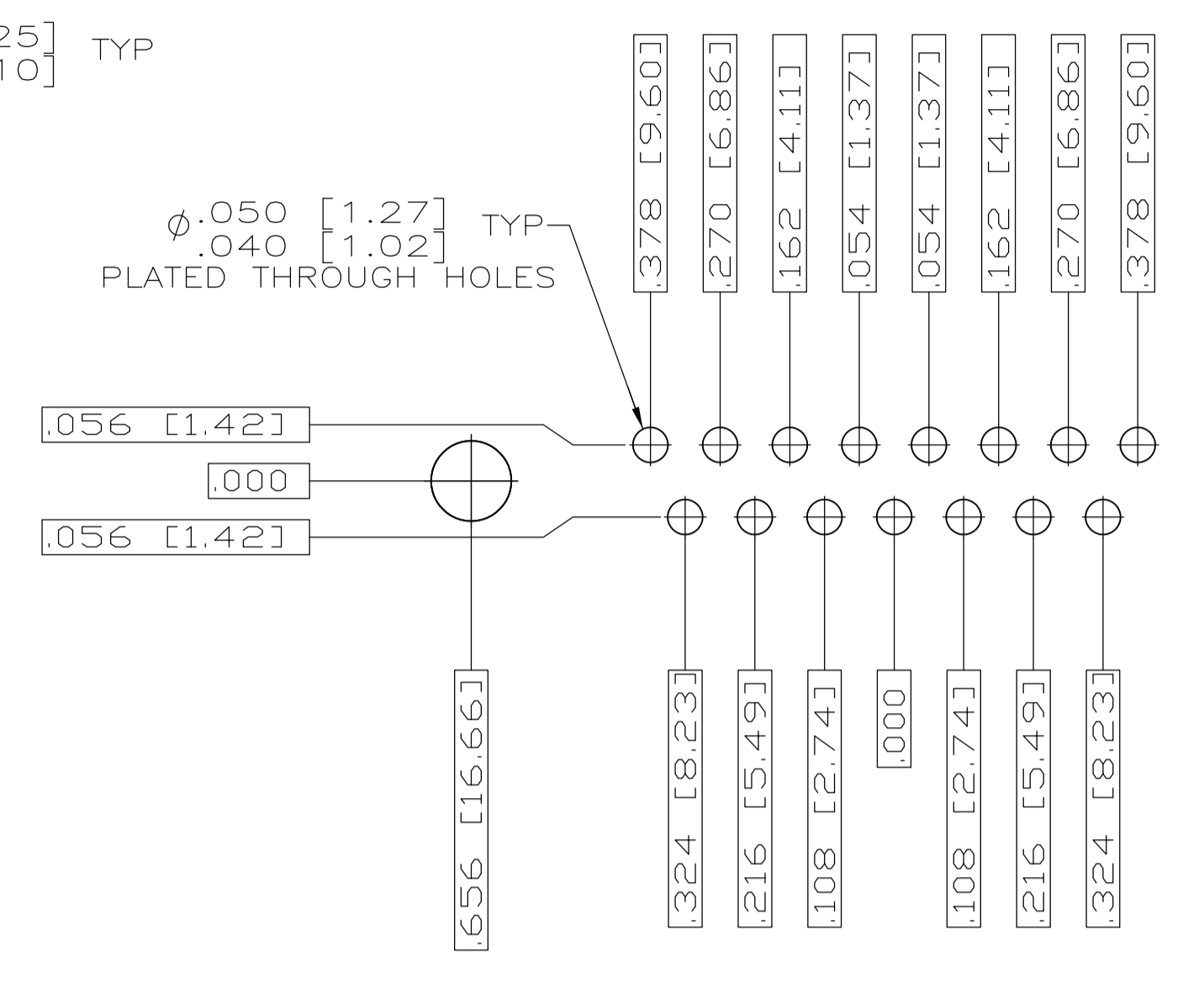
REV: C

RECEPTACLE ASSEMBLY, AMPLIMITE, RT ANGLE, SERIES 109, SIZE 1 THRU 5

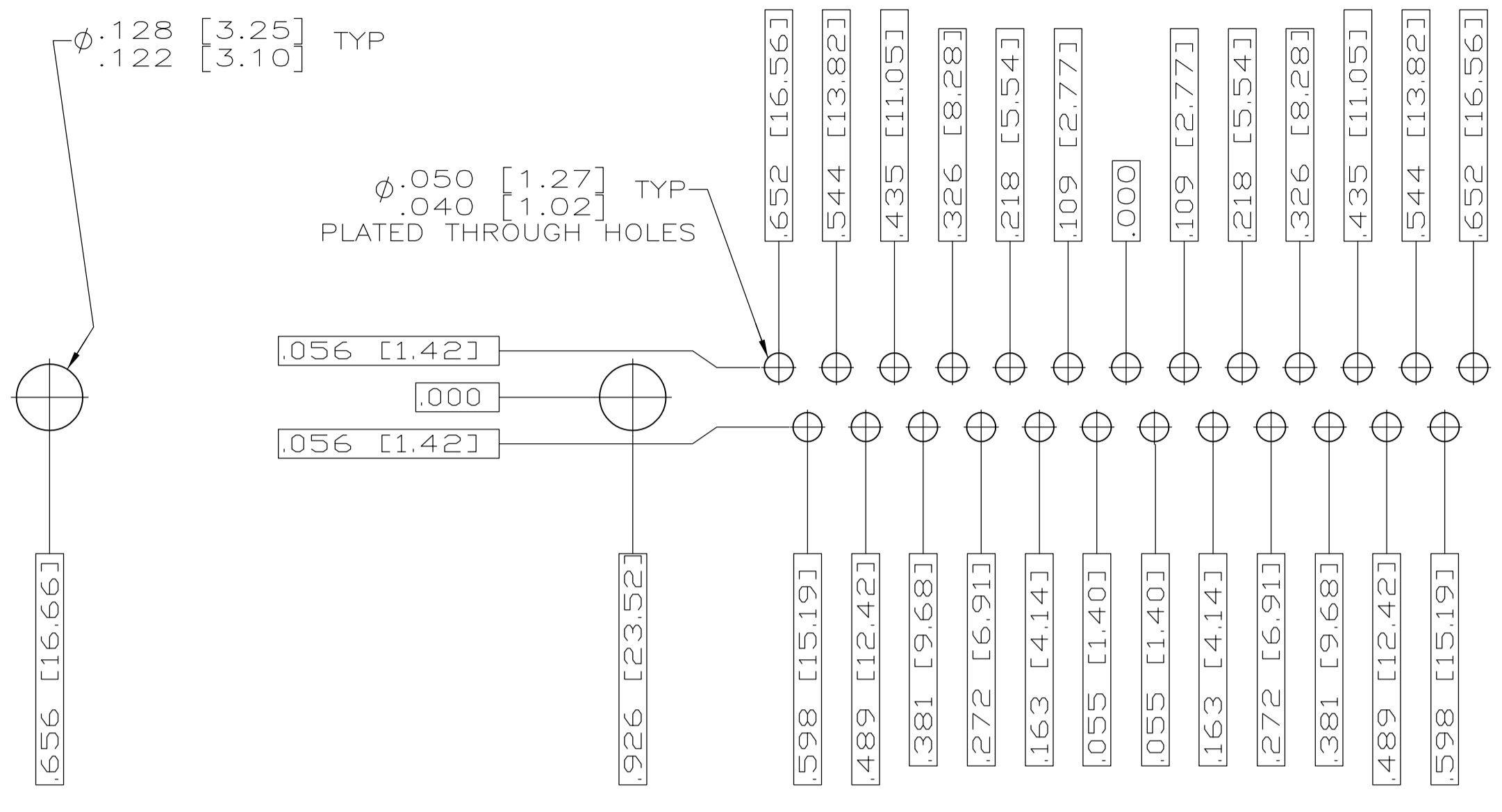
STE TE Connectivity



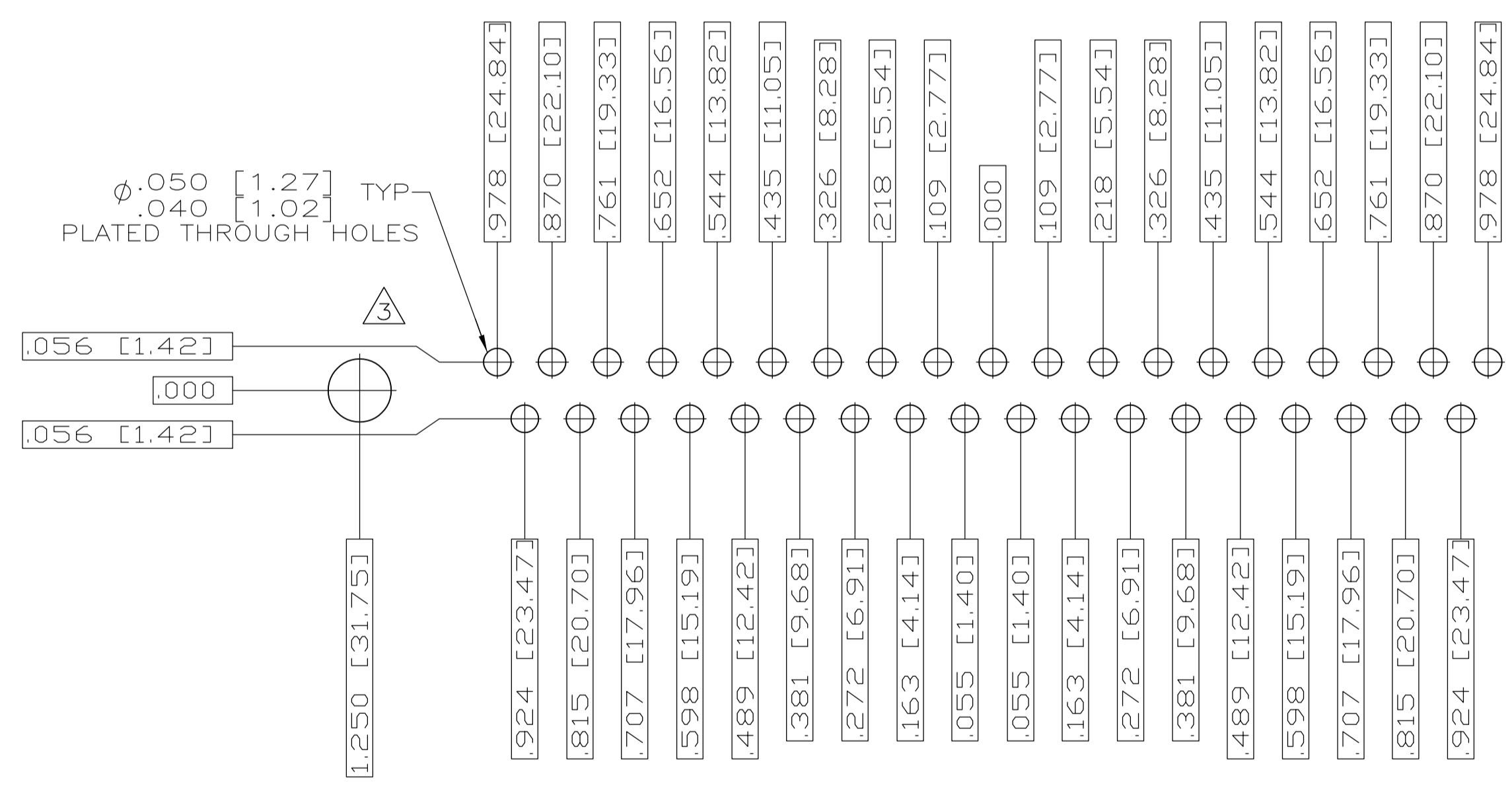
RECOMMENDED P.C. BOARD LAYOUT
 SHELL SIZE 1 (9 POSITION) ⚠



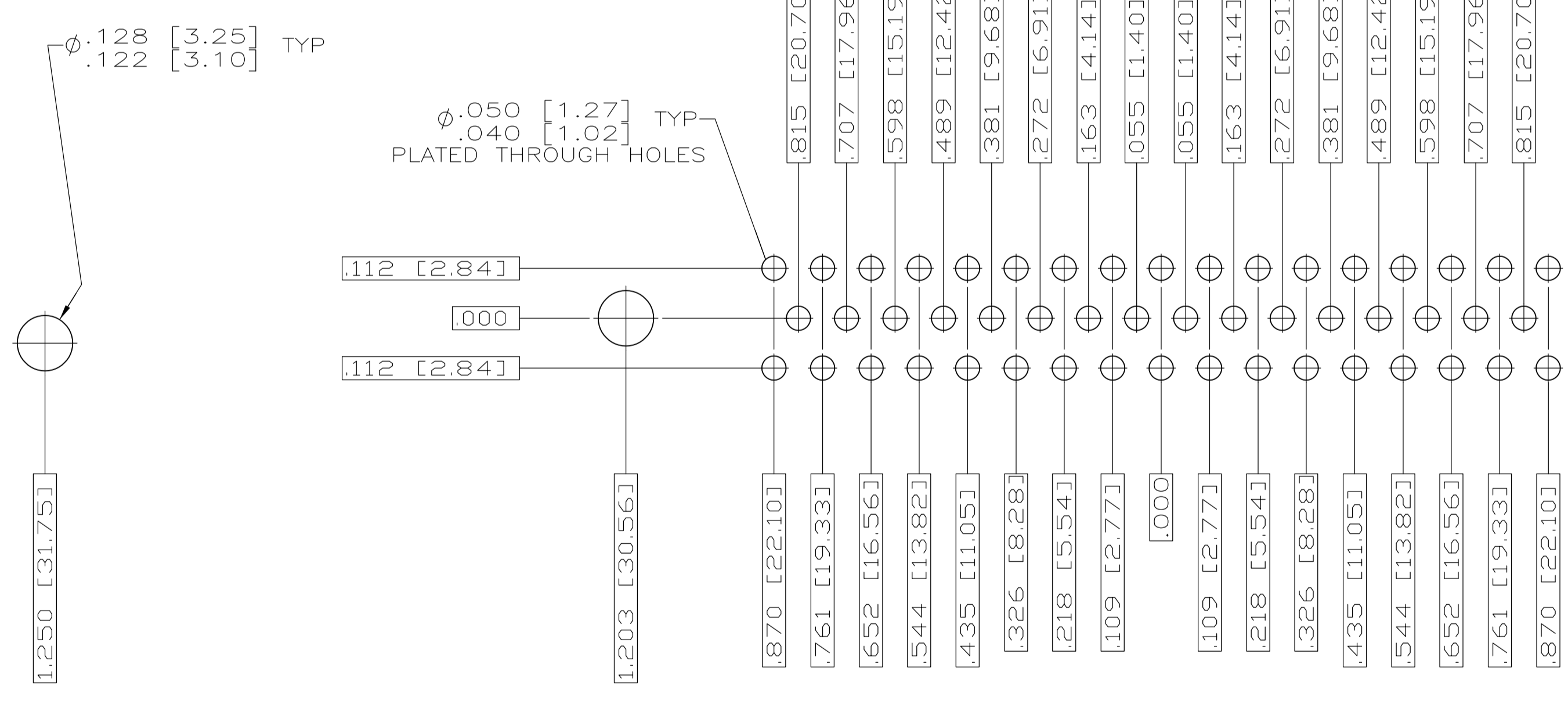
RECOMMENDED P.C. BOARD LAYOUT
 SHELL SIZE 2 (15 POSITION) ⚠



RECOMMENDED P.C. BOARD LAYOUT
 SHELL SIZE 3 (25 POSITION) ⚠



RECOMMENDED P.C. BOARD LAYOUT
 SHELL SIZE 4 (37 POSITION) ⚠



RECOMMENDED P.C. BOARD LAYOUT
 SHELL SIZE 5 (50 POSITION) ⚠

| | | | | |
|--|--|--------------------|------------------------|----------------------------------|
| THIS DRAWING IS A CONTROLLED DOCUMENT. | | OWN J.C. THOMAS | 3-22-06 | TE Connectivity |
| DIMENSIONS: INCHES | | CHK D. MILLER | 3-27-06 | |
| 0 PLC ± - 1 PLC ± - 2 PLC ± - 3 PLC ± .005 [0.13] 4 PLC ± - ANGLES ± 1' | TOLERANCES UNLESS OTHERWISE SPECIFIED: | | NAME D. MILLER | |
| | MATERIAL SEE CALLOUTS | | FINISH SEE CALLOUTS | PRODUCT SPEC APPLICATION SPEC |
| | WEIGHT | | SIZE A1 | CAGE CODE 00779 |
| | CUSTOMER DRAWING | | DRAWING NO. 1757838 | RESTRICTED TO REV C |
| SCALE 4:1 | | | SHEET 2 OF 2 | REV C |