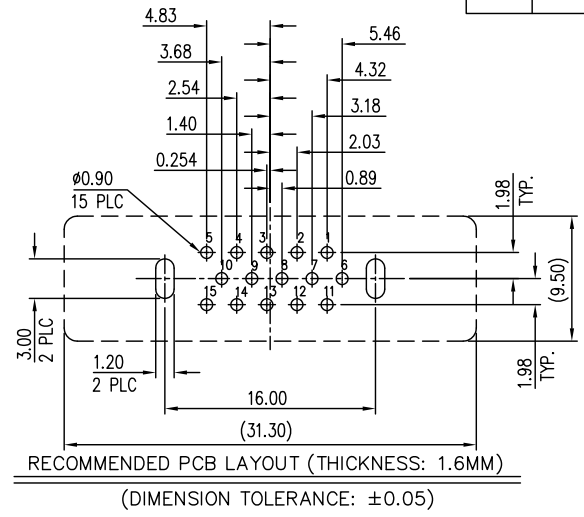
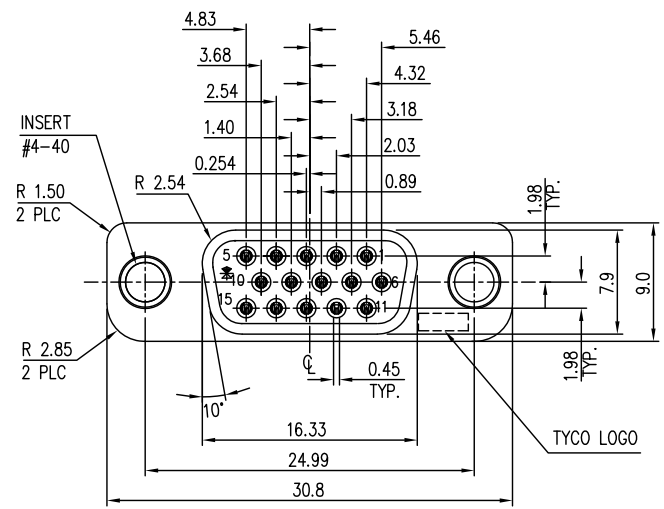
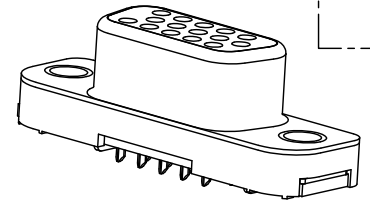
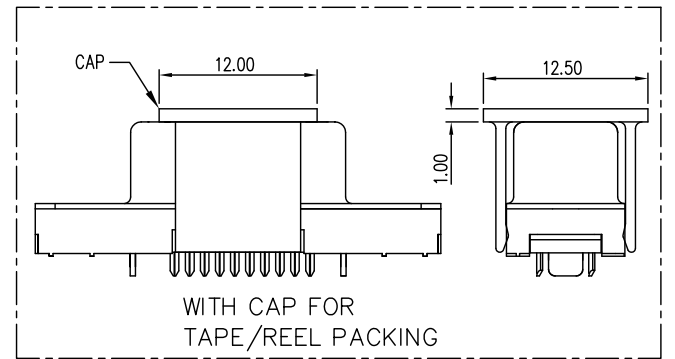
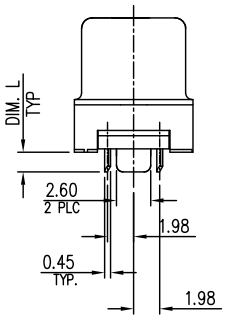
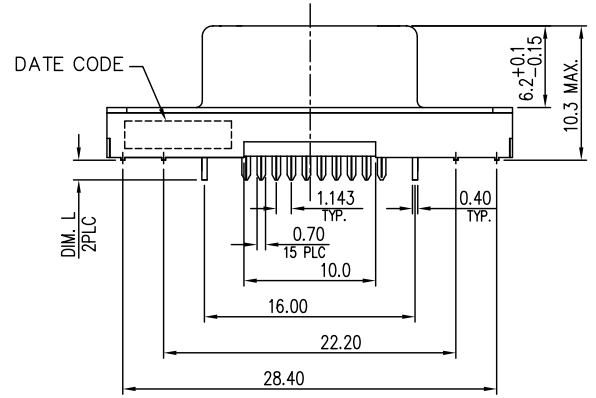


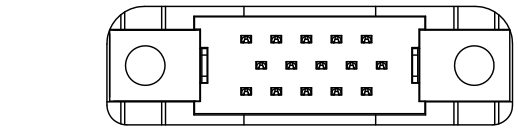
LOC	DIST	REVISIONS					
DW	-	P	LTR	DESCRIPTION	DATE	DWN	APVD
		B1		REVISED (ECR-10-001841)	26JAN10	SC	WK



- NOTE:
- MATERIAL:
 - HOUSING/COVER/CAP: HTN WITH 30% GF, UL 94V-0, COLOR: SEE TABLE.
 - CONTACTS: PHOSPHOR BRONZE.
 - SHIELD: LOW VARBON STEEL
 - INSERTS: BRASS
 - BOARD LOCK: BRASS
 - FINISH:
 - CONTACT:
 - 0.381 μm [15 μm] MIN. GOLD PLATING ON CONTACT AREA,
 - 2.54 μm [100 μm] MIN. MATTE-TIN PLATING ON SOLDER TAILS,
 - 1.27 μm [50 μm] MIN. NICKEL UNDERPLATING.
 - SHIELD: 1.27 μm [50 μm] MIN. NICKEL PLATING.
 - INSERTS: .27 μm [50 μm] MIN. NICKEL PLATING.
 - BOARDLOCK:
 - 2.54 μm [100 μm] MIN. MATTE-TIN OVERALL,
 - 1.27 μm [50 μm] MIN. NICKEL UNDERPLATING.
 - THE TORQUE FORCE OF SCREW: 8KGF-CM MAX.
 - REFLOW SOLDER CAPABLE TO 260°C PER TEST SPEC. 109-201, CONDITION B.



	0.8	TUBE	BLACK	1-1734057-2
OBSOLETE	1.5	TAPE/REEL	BLUE/661C	1734057-3
	1.5	TUBE	BLACK	1734057-2
OBSOLETE	1.5	TUBE	GRAY/442C	1734057-1
	DIM. L	PACKING	HSG COLOR	PART NUMBER



THIS DRAWING IS A CONTROLLED DOCUMENT.

DWN	S. HOU	30AUG2007	Tyco Electronics Corporation Taipei, Taiwan	
CHK	W.J. KE	30AUG2007	NAME	
APVD	W.J. KE	30AUG2007	PRODUCT SPEC	
QUALIFICATION TEST REPORT			D-SUB CONN., 15 POS. TOP MOUNT, DIP TYPE	
501-57312			SIZE	RESTRICTED TO
WEIGHT 6.67 GRAMS			CAGE CODE A300779	DRAWING NO. C=1734057
CUSTOMER DRAWING			SCALE -	SHEET 1 of 3

SEE NOTE

TOLERANCES UNLESS OTHERWISE SPECIFIED:

0 PLC	± 0.5
1 PLC	± 0.35
2 PLC	± 0.25
3 PLC	± 0.15
4 PLC	± -
ANGLES	± 3°

4

3

2

1

THIS DRAWING IS UNPUBLISHED.

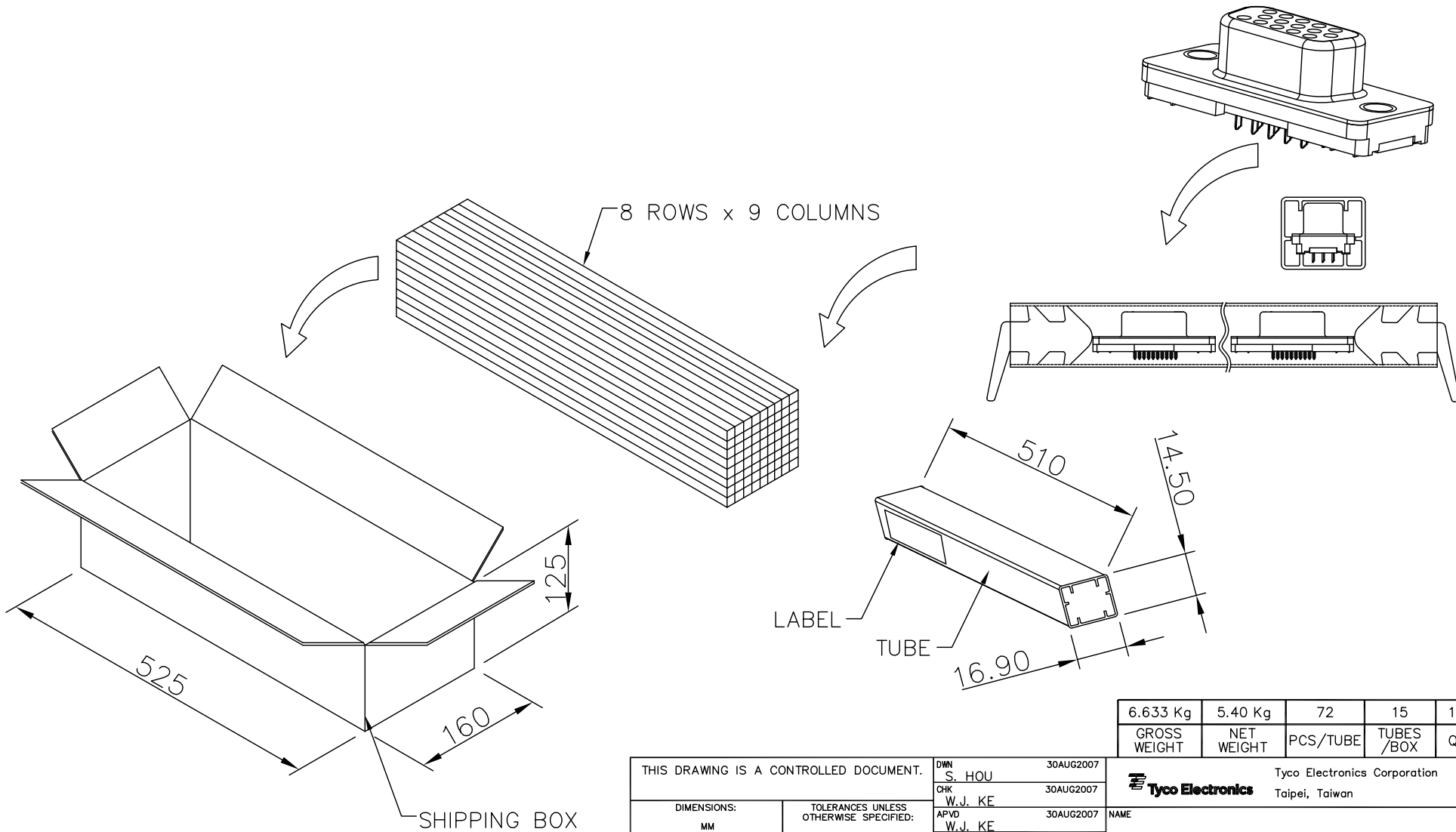
RELEASED FOR PUBLICATION

AUG 2006

© COPYRIGHT BY TYCO ELECTRONICS CORPORATION.

ALL RIGHTS RESERVED.

LOC	DIST	REVISIONS					
DW	-	P	LTR	DESCRIPTION	DATE	DWN	APVD
		SEE SHEET 1					



6.633 Kg	5.40 Kg	72	15	1080 PCS
GROSS WEIGHT	NET WEIGHT	PCS/TUBE	TUBES /BOX	QUANTITY

THIS DRAWING IS A CONTROLLED DOCUMENT.		DWN	S. HOU	30AUG2007	Tyco Electronics Corporation Taipei, Taiwan												
		CHK	W.J. KE	30AUG2007													
DIMENSIONS: MM		APVD	W.J. KE	30AUG2007	NAME D-SUB CONN., 15 POS. TOP MOUNT, DIP TYPE												
TOLERANCES UNLESS OTHERWISE SPECIFIED:		PRODUCT SPEC															
<table border="0"> <tr><td>0 PLC</td><td>± -</td></tr> <tr><td>1 PLC</td><td>± -</td></tr> <tr><td>2 PLC</td><td>± -</td></tr> <tr><td>3 PLC</td><td>± -</td></tr> <tr><td>4 PLC</td><td>± -</td></tr> <tr><td>ANGLES</td><td>± -</td></tr> </table>		0 PLC	± -	1 PLC	± -	2 PLC	± -	3 PLC	± -	4 PLC	± -	ANGLES	± -	QUALIFICATION TEST REPORT			SIZE A3
0 PLC	± -																
1 PLC	± -																
2 PLC	± -																
3 PLC	± -																
4 PLC	± -																
ANGLES	± -																
MATERIAL SEE NOTE		WEIGHT															
		CUSTOMER DRAWING			CAGE CODE 00779												
					DRAWING NO G=1734057												
					RESTRICTED TO -												
					SCALE -												
					SHEET 2 of 3												
					REV B1												

4

3

2

1

THIS DRAWING IS UNPUBLISHED.

RELEASED FOR PUBLICATION

AUG 2006

© COPYRIGHT BY TYCO ELECTRONICS CORPORATION.

ALL RIGHTS RESERVED.

LOC

DIST

REVISIONS

DW

P

LTR

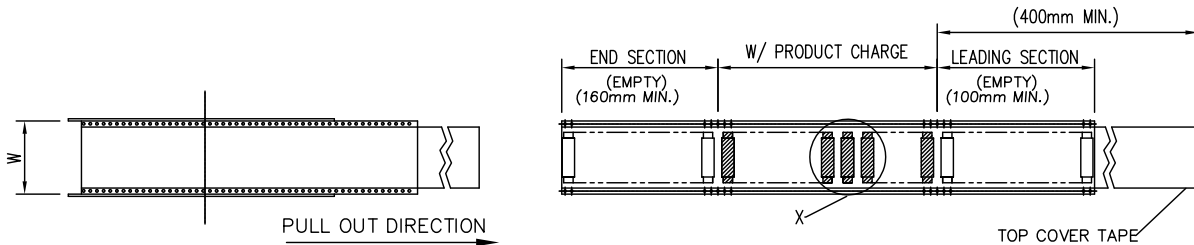
DESCRIPTION

DATE

DWN

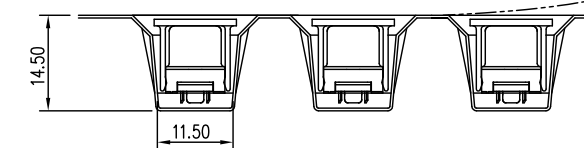
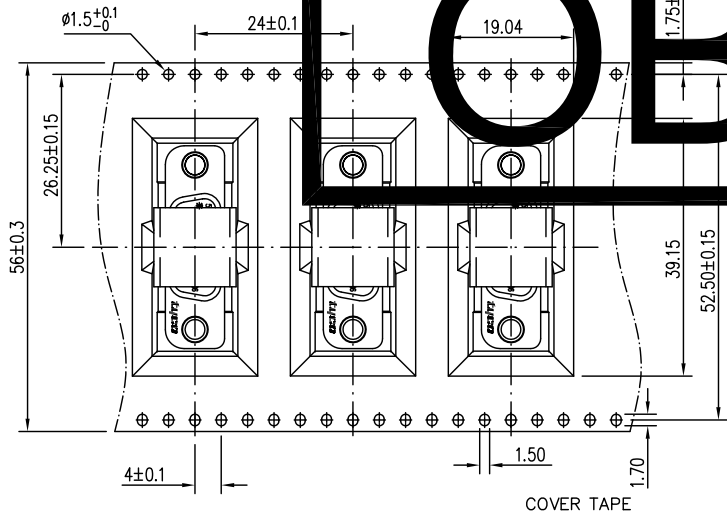
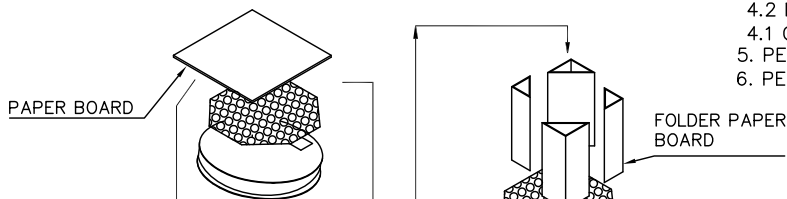
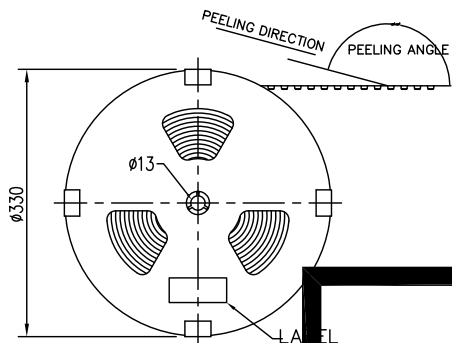
APVD

SEE SHEET 1



NOTES:

- 1. MATERIAL :
 - 1.1 EMBOSSED CARRIER: PS
 - 1.2 COVER TAPE: PS
 - 1.3 SHIPPING BOX: CORRUGATED FIBER
- 2. DIMENSION :
 - 2.1 REEL: W=56.40
 - 2.2 SHIPPING BOX: L=335, W=335, H=248
- 3. QUANTITY :
 - 3.1 PRIMARY PACKING: 200PCS/REEL
 - 3.2 SECONDARY PACKING: 3 REELS/BOX(600PCS)
- 4. WEIGHT :
 - 4.2 NET WEIGHT: 0.86KG/REEL, 4.644KG/BOX.
 - 4.1 GROSS WEIGHT: 6.191KG/BOX.
- 5. PEELING RESISTANCE: 10.2gf~71.4gf.
- 6. PEELING SPEED: 300mm/minutes.



OBSOLETE

THIS DRAWING IS A CONTROLLED DOCUMENT.		DWN S. HOU	30AUG2007	Tyco Electronics Corporation Taipi, Taiwan	
DIMENSIONS: MM		CHK W.J. KE	30AUG2007	NAME	
TOLERANCES UNLESS OTHERWISE SPECIFIED:		APVD W.J. KE	30AUG2007	D-SUB CONN., 15 POS. TOP MOUNT, DIP TYPE	
0 PLC ± -		PRODUCT SPEC		QUALIFICATION TEST REPORT	
1 PLC ± -		WEIGHT		SIZE	
2 PLC ± -		CUSTOMER DRAWING		CAGE CODE	
3 PLC ± -		SCALE		DRAWING NO	
4 PLC ± -		SHEET		RESTRICTED TO	
ANGLES ± -		3 of 3		REV B1	
MATERIAL SEE NOTE		FINISH SEE NOTE		A300779 C=1734057	