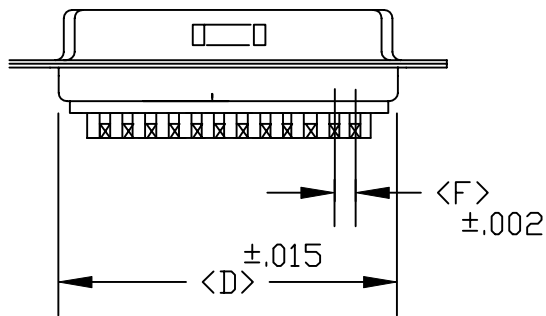
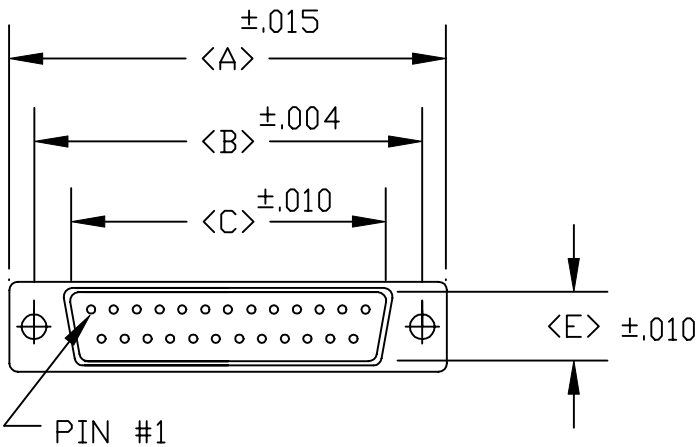
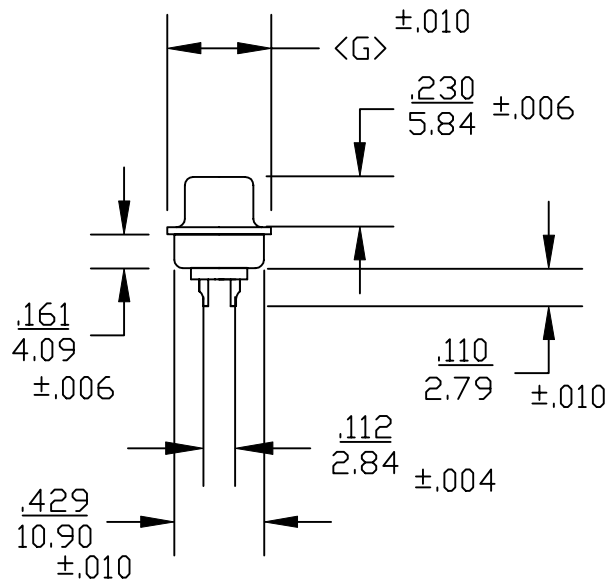


DESCRIPTION: **MALE SOLDER CUP/MACHINED- PREMIUM**



| POS. | A | B | C | D | E | F | G |
|------|-------|-------|-------|-------|-------|------|-------|
| 09 | 1.213 | 0.984 | 0.666 | 0.756 | 0.329 | .109 | 0.496 |
| | 30.80 | 24.99 | 16.92 | 19.20 | 8.36 | 2.77 | 12.60 |
| 15 | 1.543 | 1.312 | 0.994 | 1.091 | 0.329 | .109 | 0.496 |
| | 39.19 | 33.32 | 25.25 | 27.70 | 8.36 | 2.77 | 12.60 |
| 25 | 2.087 | 1.852 | 1.534 | 1.618 | 0.329 | .109 | 0.496 |
| | 53.00 | 47.04 | 38.96 | 41.10 | 8.36 | 2.77 | 12.60 |
| 37 | 2.732 | 2.500 | 2.181 | 2.256 | 0.329 | .109 | 0.496 |
| | 69.30 | 63.50 | 55.42 | 57.30 | 8.36 | 2.77 | 12.60 |
| 50 | 2.638 | 2.406 | 2.079 | 2.169 | .436 | .109 | .602 |
| | 67.00 | 61.00 | 52.80 | 55.10 | 11.07 | 2.77 | 15.30 |



172-XXX-10X-XX1

SERIES _____
 POSITIONS _____
 009 _____
 015 _____
 025 _____
 037 _____
 050 _____
 GENDER _____
 1 = MALE
 2 = FEMALE
 TERMINATION _____
 0 = SOLDER CUP
 SHELL PLATING _____
 1 = YELLOW CHROMATE
 2 = TIN
 HARDWARE OPTIONS _____
 00 = NO HARDWARE
 01 = .065 4-40 CLINCH NUT BOARD SIDE
 02 = .250 4-40 CLINCH NUT BOARD SIDE
 03 = .250 4-40 CLINCH NUT MATING SIDE
 PLATING OPTIONS _____
 1 = GOLD FLASH
 2 = 30 MICRO-INCH GOLD

SPECIFICATIONS:

MATERIALS:

- SHELL: STEEL, TIN OR YELLOW CHROMATE PLATED
- INSULATOR: UL 94V-0 RATED PBT +30% FIBER-GLASS OR NYLON-66
- CONTACTS: BRASS - 30 MICROINCH GOLD PLATED

ELECTRICALS:

- CURRENT RATING: 5 AMPS
- CONTACT RESISTANCE: 15 mOHMS MAX
- INSULTOR RESISTANCE: 1000 MOHMS MIN
- VOLTAGE: 500V AC FOR 1 MINUTE
- TEMPERATURE: -50°C TO +100°C

WILL ACCEPT 28-20 AWG CONDUCTORS



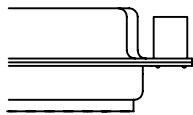
THESE DRAWINGS AND SPECIFICATIONS ARE THE PROPERTY OF NorComp AND SHALL NOT BE REPRODUCED, COPIED OR USED AS THE BASIS FOR THE MANUFACTURE OR SALE OF APPARATUS WITHOUT WRITTEN PERMISSION.

| | |
|-----------------------------------|-------------------------|
| DRAWN: PAM JENKINS | DATE: 8-24-98 |
| CHECKED: | DATE: |
| SCALE: | SHEET OF |
| DWG NO. 172-XXX-10X-XX1 | REV 2 |

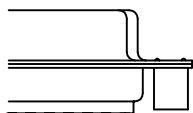
NorComp

DESCRIPTION: CLINCH NUT HARDWARE

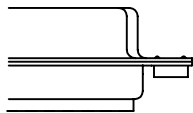
ALL CLINCH-NUTS ARE 4-40 INTERNAL THREADS



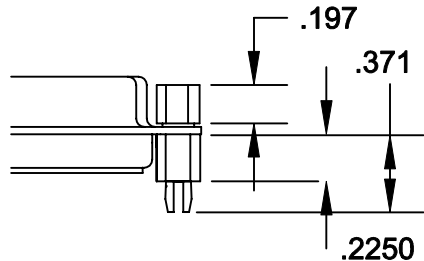
03X..... .250" (MATING SIDE) - CN8



02X250" (BOARD SIDE) - CN2




01X065" (BOARD SIDE) - CN1



91X225" (BOARD SIDE) - .197 MATING SIDE - CN10/SFS0440

NOTE: 4-40 FEMALE SCREW LOCK IS REMOVABLE

| | | | | |
|--|---|--|-------------------------|------------------|
|  | THESE DRAWINGS AND SPECIFICATIONS ARE THE PROPERTY OF NorComp AND SHALL NOT BE REPRODUCED, COPIED OR USED AS THE BASIS FOR THE MANUFACTURE OF SALE OF APPARATUS WITHOUT WRITTEN PERMISSION. | | DRAWN: WAYNE ROBBINS | DATE: 8-23-98 |
| | | | CHECKED: PAM JENKINS | DATE: 8-24-98 |
| <h1>NorComp</h1> | | | SCALE: | SHEET 1 OF 1 |
| | | | DWG NO. | |
| CLINCH-NUT OPTIONS | | | | |