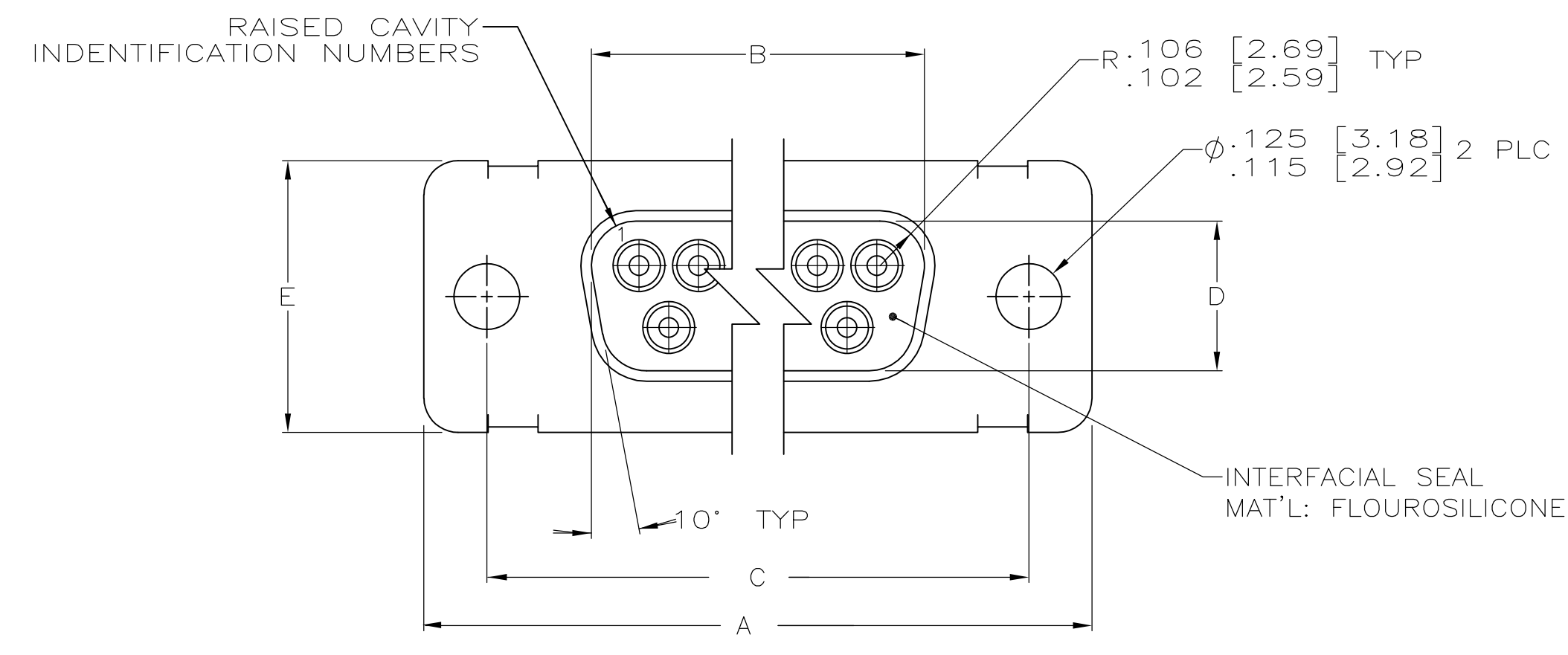
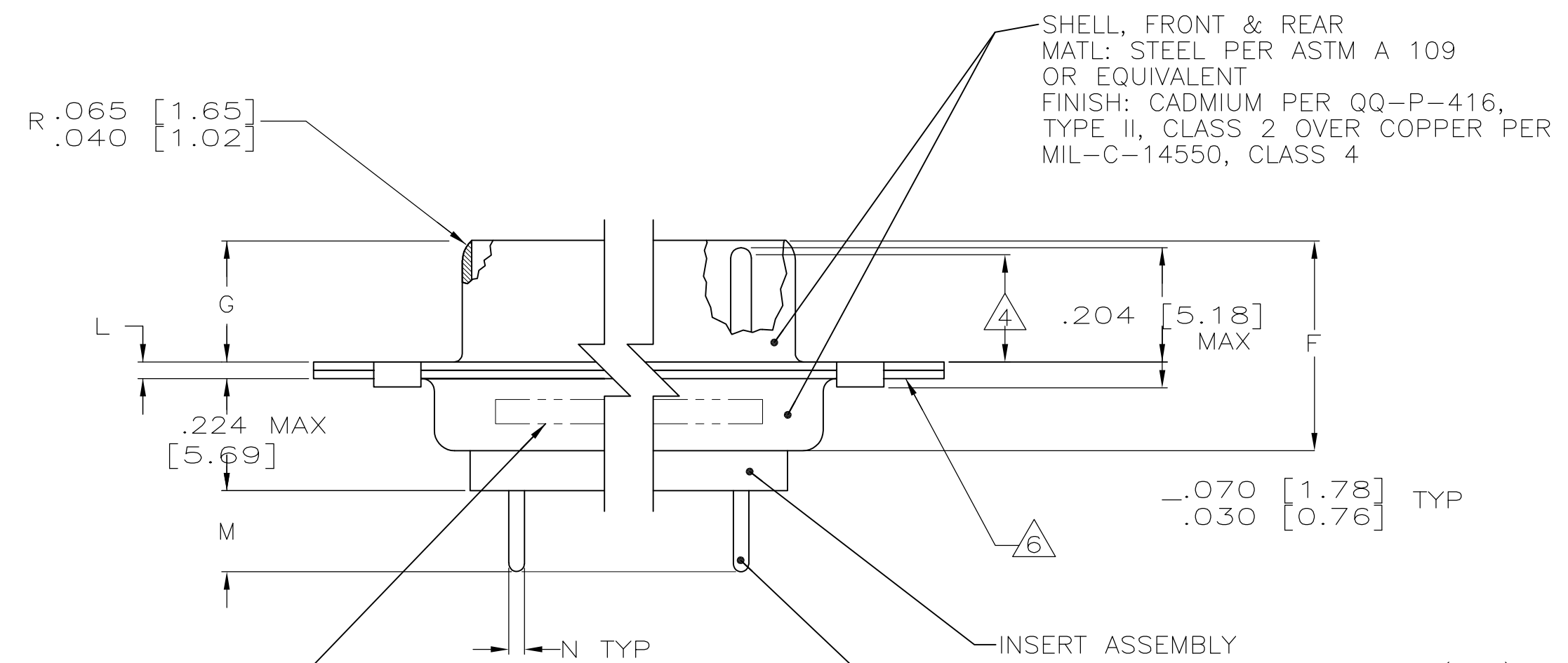


REVISONS		DATE	DWN	APVD
DF	D0			
TP	LTR	DESCRIPTION	DATE	DWN
A		REV PER ECO-09-25654	24NOV09	PY
				DM



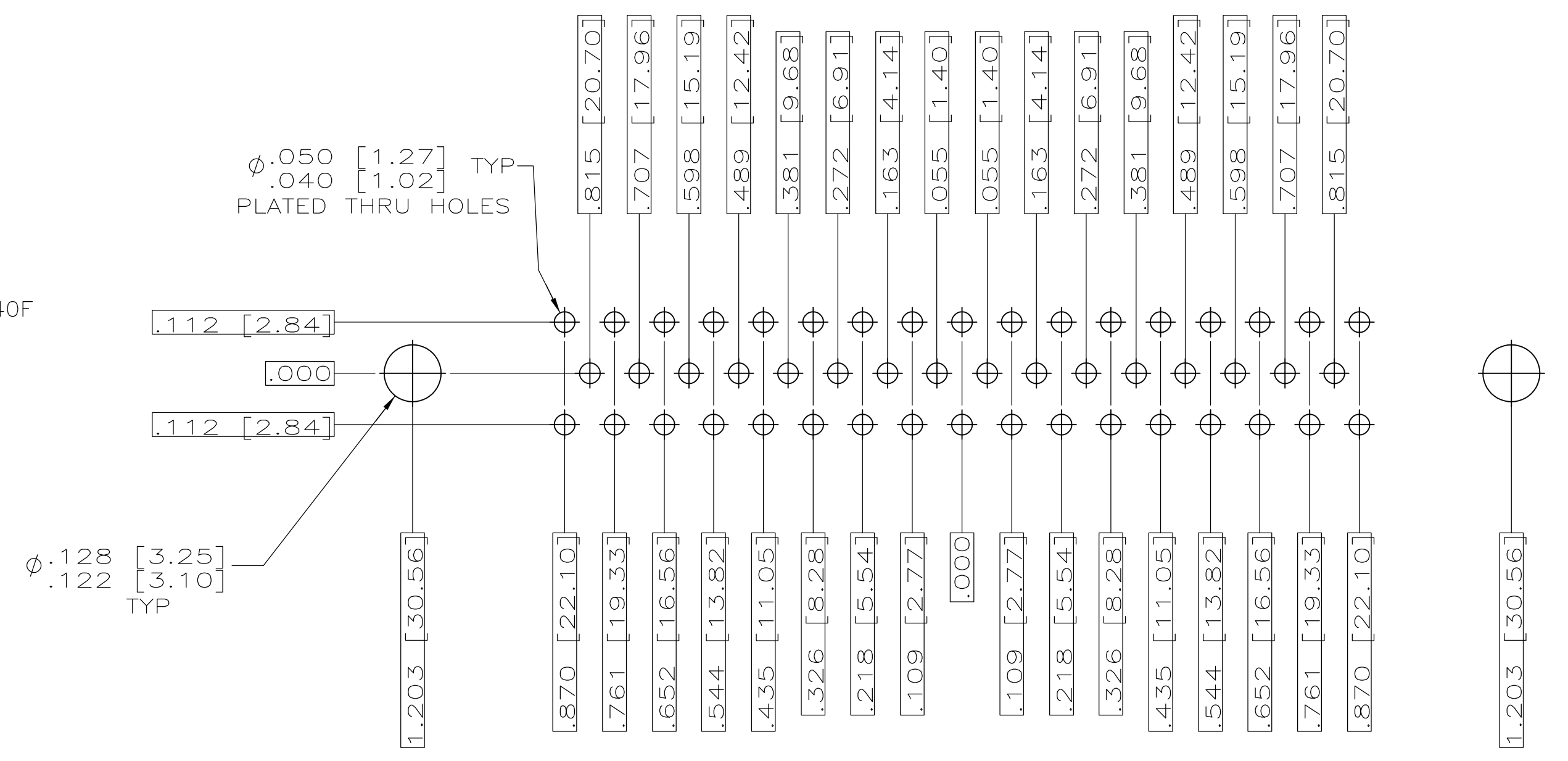
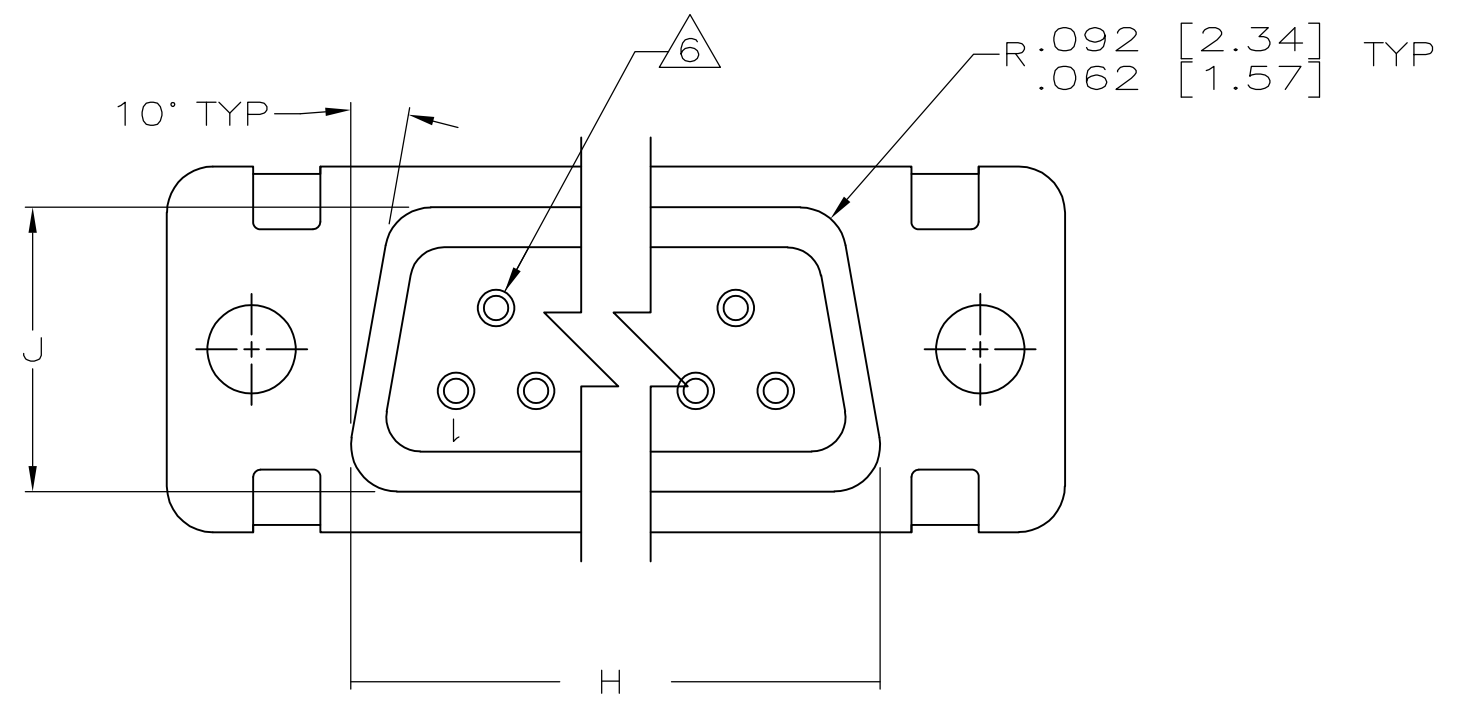
- 1 TRUE POSITION TOLERANCE FOR P.C.BOARD LAYOUT IS .010 [0.25] AT MAX MATERIAL CONDITION. SUGGESTED BOARD THICKNESS IS .094 [2.39]
- 2 THE CONNECTORS DESCRIBED IN THIS DOCUMENT MEET THE REQUIREMENTS OF MIL-C-24308 AND MATE WITH ANY RECEPTACLE CONNECTOR WITH SAME INSERT ARRANGEMENT.
- 3 MARK WITH .047 [1.19]-.062 [1.57] HIGH CHARACTERS. FAR SIDE REFERS TO THE WIDE SIDE OF THE KEYSTONE. NEAR SIDE REFERS TO THE NARROW SIDE OF THE KEYSTONE. IF THE REAR SHELL IS TOO SMALL FOR "AMP", AMP PART NUMBER AND DATE CODE, THEN SPLIT AS FOLLOWS:
 A. AMP PART NUMBER ON REAR SHELL, FAR SIDE.
 B. "AMP" AND DATE CODE ON FRONT SHELL, FAR SIDE.
- 4 REQUIREMENT FOR FULL PIN DIAMETER EXTENSION:
 .159 [4.04] MIN, SHELL SIZES 1 AND 2.
 .150 [3.81] MIN, SHELL SIZES 3, 4, AND 5.
- 5 THIS DRAWING SHALL BE INTERPRETED IN ACCORDANCE WITH APPLICABLE STANDARDS LISTED IN MIL-STD-100.
- 6 APPLY EPOXY BETWEEN THE CONTACT AND INSERT AND BETWEEN THE FRONT AND REAR SHELLS AND INSERT.



3 MARK TE, TE PART NO AND DATE CODE, FAR SIDE.

6 INSERT ASSEMBLY MAT'L: POLYPHENYLENE SULFIDE (PPS) PER MIL-M-24519, TYPE: GST-40F OR POLYESTER PER MIL-M-24519, TYPE: GLCP-30F COLOR, BLACK

CONTACT MAT'L: BRASS ALLOY PER ASTM B 16, OR BERYLLIUM COPPER 173, 1/2 HARD PER ASTM-B-197. FINISH: GOLD PER MIL-G-45204, TYPE II, GRADE C, CLASS 1 OVER NICKEL PER QQ-N-290, .000050 MIN THICK



.033 [0.84]	.176 [4.47]	.049 [1.24]	.544 [13.82]	2.188 [55.58]	.236 [5.99]	.436 [11.07]	.620 [15.75]	.446 [11.33]	2.411 [61.24]	2.084 [52.93]	2.650 [67.31]	MS18277-1	50	5	1663842-5	1663842-5
.027 [0.69]	.136 [3.45]	.029 [0.74]	.524 [13.31]	2.168 [55.07]	.224 [5.69]	.416 [10.57]	.590 [14.99]	.436 [11.07]	2.401 [60.99]	2.074 [52.68]	2.620 [66.55]	INSERT ARRANGEMENT	NO OF POS	SHELL SIZE	AMP P/N ON CONNECTOR	PART NUMBER
N	M	L	J	H	G	F	E	D	C	B	A					

THIS DRAWING IS A CONTROLLED DOCUMENT.

DIMENSIONS: INCHES [mm]

TOLERANCES UNLESS OTHERWISE SPECIFIED:

0 PLC	±
1 PLC	±
2 PLC	±
3 PLC	±
4 PLC	±

ANGLES: ±

MATERIAL: SEE CALLOUTS

FINISH: SEE CALLOUTS

APPROVED: C.C. THOMAS, D. MILLER, D. MILLER

DATE: 12-9-03, 12-9-03, 12-9-03

NAME: TYCO Electronics, Harrisburg, PA 17105-3608

PRODUCT SPEC: AMP/MLITE PLUG ASSY, LOW PROFILE SIZE 20 POSTED P.C. BOARD CONTACTS .030 DIA SHORT POST, SERIES 109 WITH INTERFACIAL SEAL AND EPOXY SEALING

SIZE: A100779

SCALE: 4:1

SHEET 1 OF 1

REV A