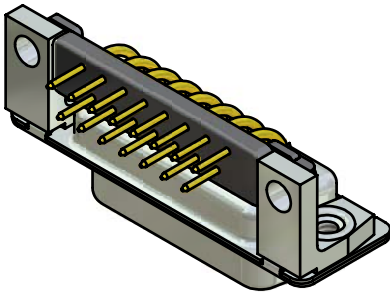
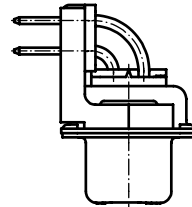
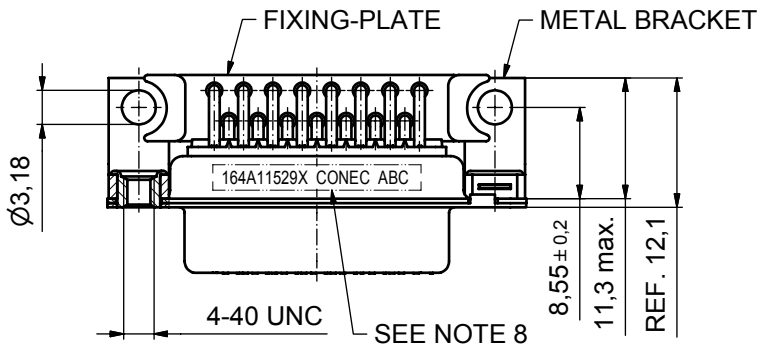
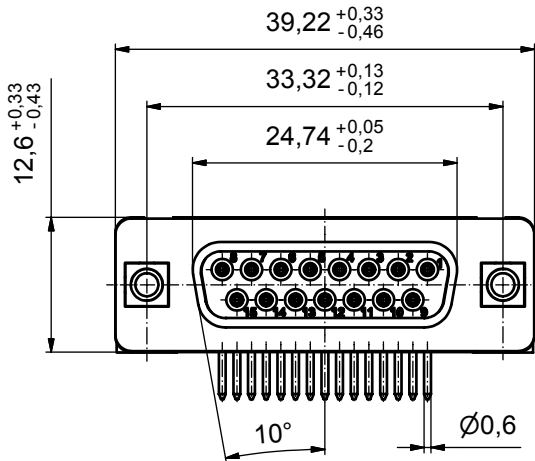
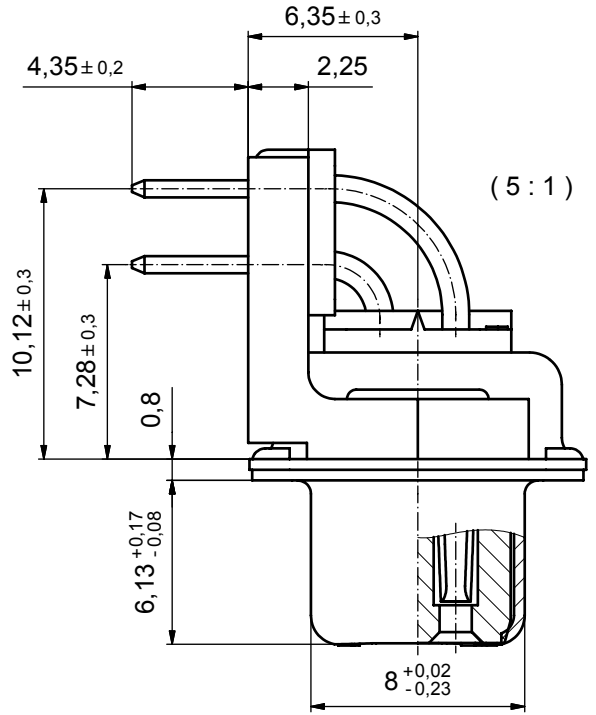


P.C.B. HOLE DRILLINGS



NOTES:

1. METALSHIELDS: STEEL; min. 315µm TIN over 40-80µm NICKEL
2. INSULATORS: PBT GF UL 94 V-0, BLACK
3. CONTACTS: COPPER ALLOY
PLATING: 8µm HARD GOLD over min. 50µm NICKEL
4. METAL BRACKET: ZINC DIE CAST; 300µm COPPER/40-120µm NICKEL/120-200µm TIN
5. THREADED INSERT: COPPER ALLOY; min. 200µm TIN over 80µm NICKEL
6. FIXING-PLATE: PBT GF UL 94 V-0, BLACK
7. MAXIMUM TORQUE VALUE FOR THREAD: 6 in.LB
8. CONNECTOR IS PART MARKED: 164A11529X CONEC ABC

Directive 2002/95/EC
"RoHS"
Compliant

APPROVAL # FREIGABE # DEBLOCAGE # AUTORIZACION # APPROVAL	
CUSTOMER APPROVAL DATE:	
NAME:	TITLE:
COMPANY NAME:	
APPROVAL # FREIGABE # DEBLOCAGE # AUTORIZACION # APPROVAL	

THIS DRAWING MAY NOT BE COPIED OR REPRODUCED IN ANY WAY, AND MAY NOT BE PASSED ON TO A THIRD PARTY WITHOUT WRITTEN PERMISSION. OWNERSHIP AND COPYRIGHT OF CONEC GmbH				tolerance		dim. in mm	scale: 2:1 (5:1)		
				date			material: SEE NOTES		
DO NOT ALTER CAD DRAWING BY HAND				drawn	17.12.08	Lehmenkühler	title: D-SUB FEMALE 90° 15pos. 0.318inch with threaded insert, metal bracket and fixing-plate		
				appd.	17.12.08				Fischer
				norm		d-old			
				a	Origin	CONEC®			
rev.	description	date	name	part no: 164A11529X		dwg no: Inventor 10		DIN-A3	
						sh: 1			