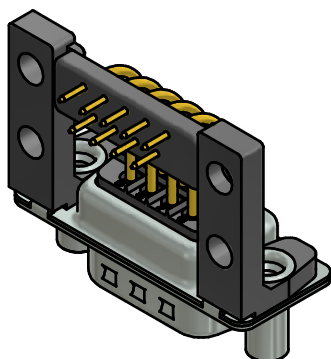
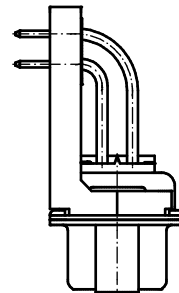
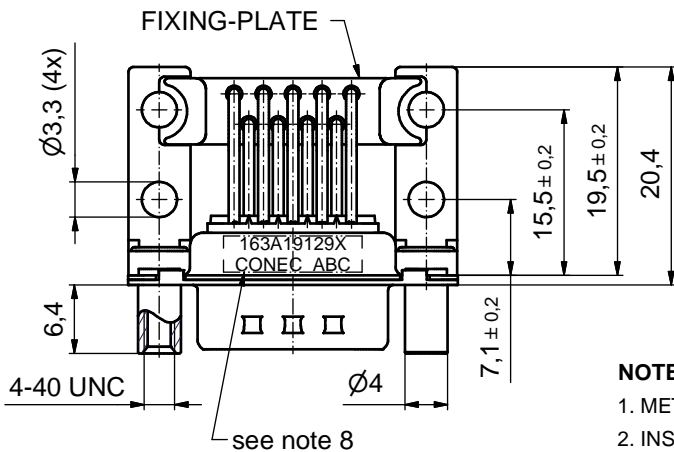
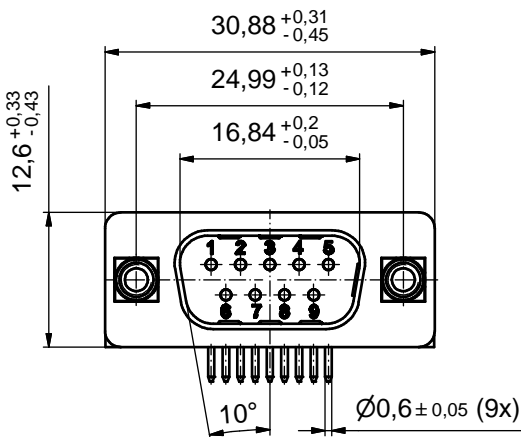
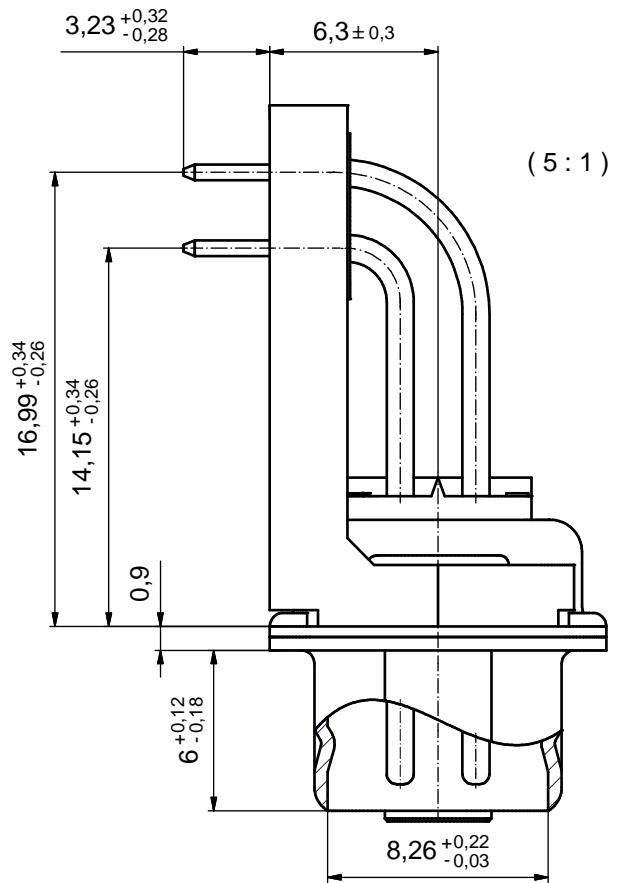
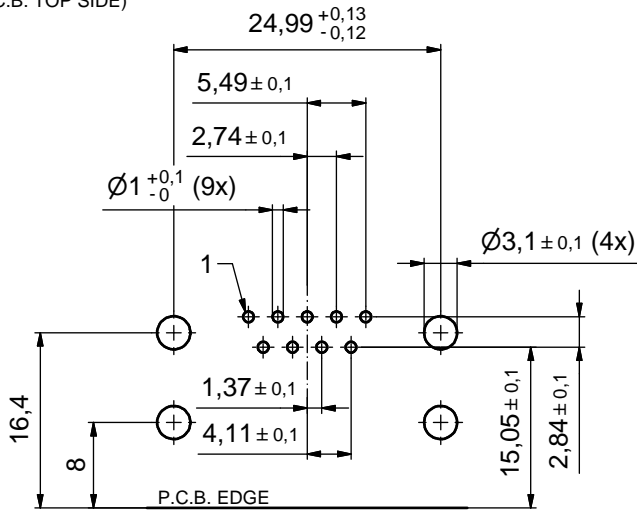


**P.C.B. HOLE DRILLINGS**  
(P.C.B. TOP SIDE)



Directive 2002/95/EC RoHS compliant

**NOTES:**

- METALSHELLS: STEEL; min. 315µin TIN over 40-80µin NICKEL
- INSULATORS: PBT GF UL 94 V-0; BLACK
- CONTACTS: COPPER ALLOY  
PLATING: GOLD FLASH over NICKEL
- PLASTIC BRACKETS: PBT GF UL 94 V-0; BLACK
- THREADED LOCKS: COPPER ALLOY; min. 200µin TIN over 80µin NICKEL
- FIXING-PLATE: PBT GF UL 94 V-0; BLACK
- MAXIMUM TORQUE VALUE FOR THREAD: 6 in.LB
- CONNECTOR IS PART MARKED: 163A19129X CONEC ABC

THIS DRAWING MAY NOT BE COPIED OR REPRODUCED IN ANY WAY, AND MAY NOT BE PASSED ON TO A THIRD PARTY WITHOUT WRITTEN PERMISSION. OWNERSHIP AND COPYRIGHT OF CONEC GmbH DO NOT ALTER CAD DRAWING BY HAND				tolerance		dim. in mm	scale: 2:1 (5:1)	
				date			material: see notes	
a		Origin	CONEC®		title:		D-SUB MALE 90°	
rev.	description	date	name	drawn	02.12.10	Schmidt	9pos. SOLDER PIN ANGLED 0.590inch threaded lock, plastic bracket, fixing plate	
				appd.	08.12.10	Fischer	dwg no:	
				norm			16K1A2736	
				d-old			part no: 163A19129X	
								DIN-A3
								sh: 1