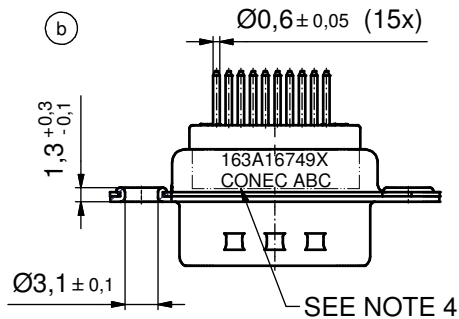
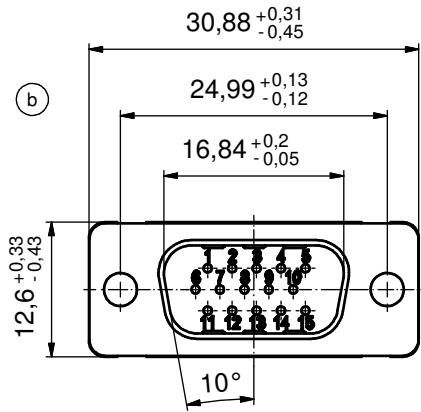
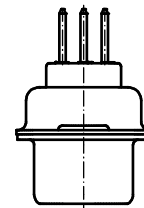
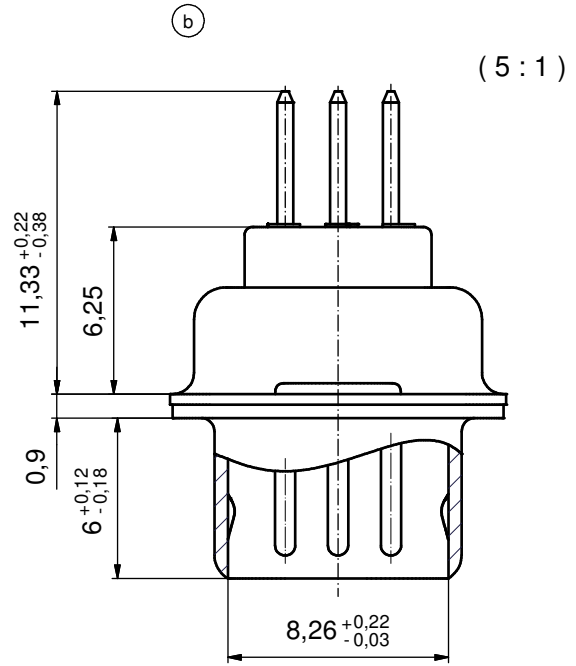


P.C.B. HOLE DRILLINGS
(P.C.B. TOP SIDE)

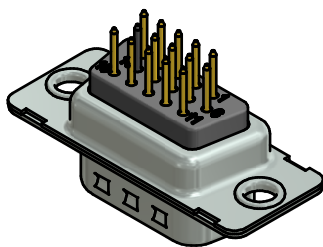


SEE NOTE 4



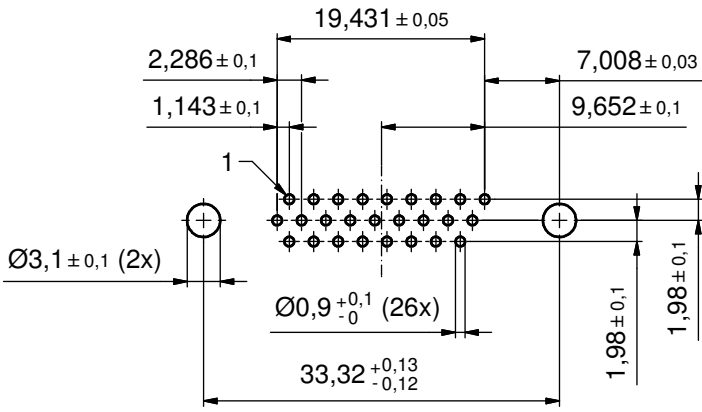
NOTES:

1. METALSHELLS: STEEL; min. 315µin TIN over 40-80µin NICKEL
2. INSULATORS: PBT GF UL 94 V-0; BLACK
3. CONTACTS: COPPER ALLOY
PLATING: GOLD FLASH over NICKEL
4. CONNECTOR IS PART MARKED: **163A16749X CONEC ABC**

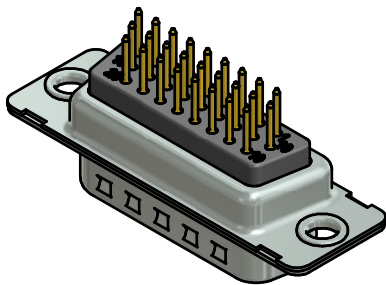
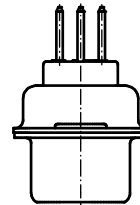
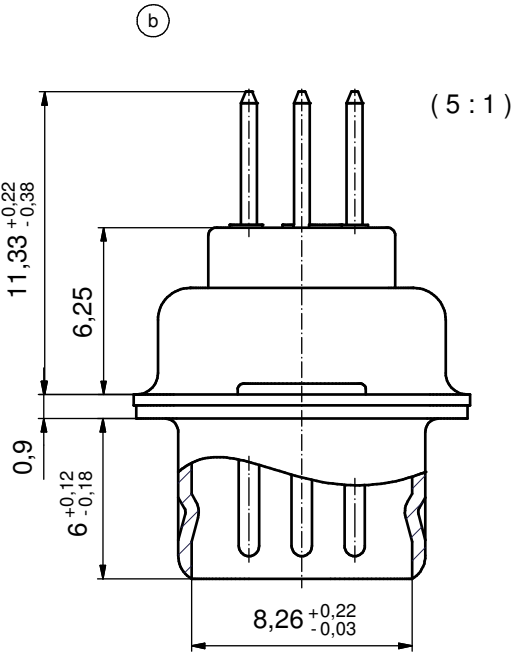
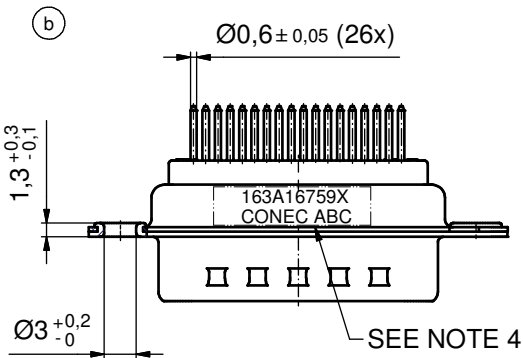
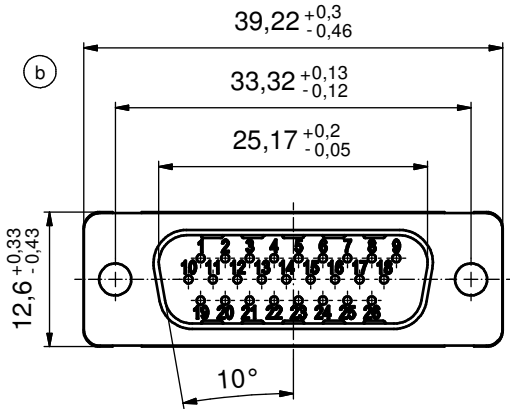


Directive 2002/95/EC RoHS compliant

THIS DRAWING MAY NOT BE COPIED OR REPRODUCED IN ANY WAY, AND MAY NOT BE PASSED ON TO A THIRD PARTY WITHOUT WRITTEN PERMISSION. OWNERSHIP AND COPYRIGHT OF CONEC GmbH DO NOT ALTER CAD DRAWING BY HAND					tolerance	dim. in mm	scale:	2:1 (5:1)		
					date		name	material:	SEE NOTES	
					drawn	10.04.2002	Perei	title: D-SUB HD MALE 15pos. SOLDER PIN STRAIGHT		
					appd.	10.04.2002	Mickenbecker			
					norm					
				d-old			dwg no:			
				4 x b	A4102	14.09.2011	K.H.	DIN-A3		
				a	Original			sh: 1/6		
				rev.	description	date	name	part no:	163A16749X	
				CONEC						



P.C.B. HOLE DRILLINGS
(P.C.B. TOP SIDE)

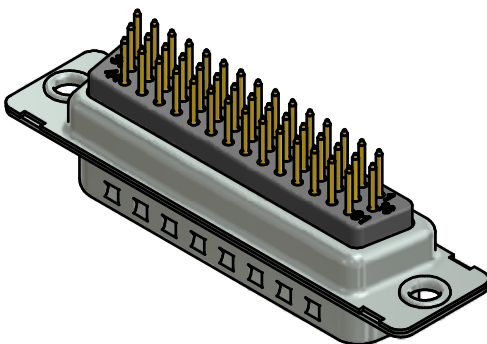
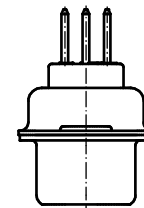
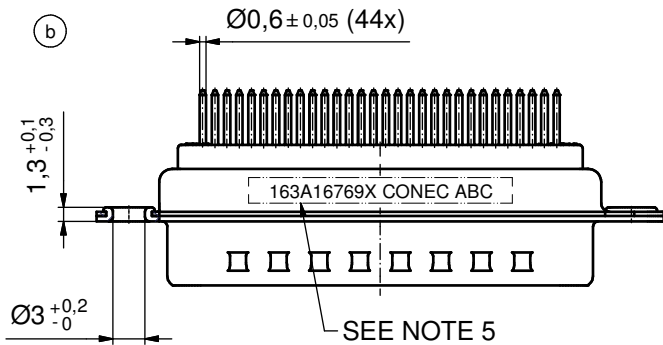
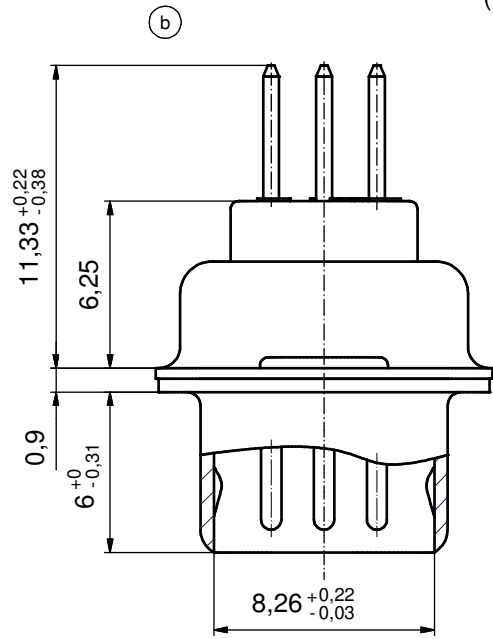
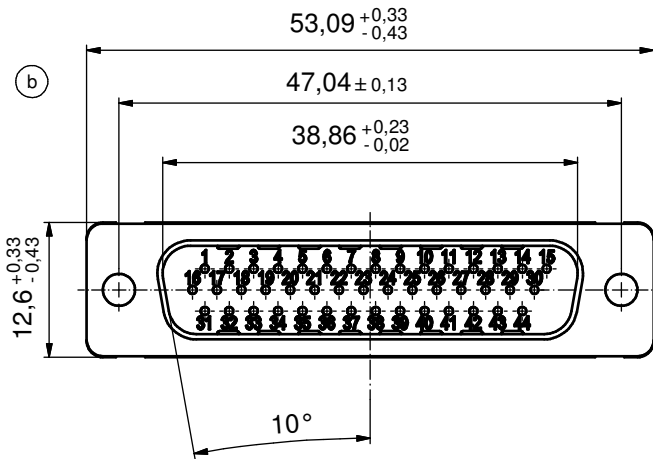


- (b) **NOTES:**
- METALSHELLS: STEEL; min. 315µin TIN over 40-80µin NICKEL
 - INSULATORS: PBT GF UL 94 V-0; BLACK
 - CONTACTS: COPPER ALLOY
PLATING: GOLD FLASH over NICKEL
 - CONNECTOR IS PART MARKED: 163A16759X CONEC ABC

Directive 2002/95/EC RoHS compliant

THIS DRAWING MAY NOT BE COPIED OR REPRODUCED IN ANY WAY, AND MAY NOT BE PASSED ON TO A THIRD PARTY WITHOUT WRITTEN PERMISSION. OWNERSHIP AND COPYRIGHT OF CONEC GmbH DO NOT ALTER CAD DRAWING BY HAND				tolerance		dim. in mm	scale: 2:1 (5:1)	
				date			material: SEE NOTES	
				name		title:		
				drawn 10.04.2002 Parei		D-SUB HD MALE 26pos. SOLDER PIN STRAIGHT		
appd. 10.04.2002 Mickenbecker								
norm		dwg no:		DIN-A3				
d-old		16K1A542						
4 x b	A4102	14.09.2011	K.H.	part no: 163A16759X		sh: 2/6		
a	Original							
rev.	description	date	name					

(5:1)



NOTES:

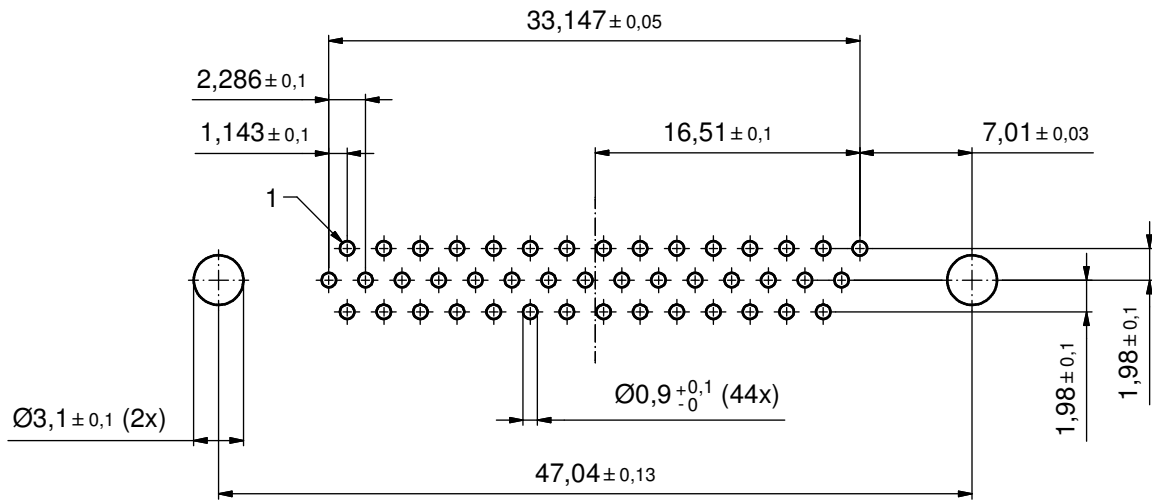
1. METALSHELLS: STEEL; min. 315µin TIN over 40-80µin NICKEL
2. INSULATORS: PBT GF UL 94 V-0; BLACK
3. CONTACTS: COPPER ALLOY
PLATING: GOLD FLASH over NICKEL
4. P.C.B. HOLE DRILLINGS ON SHEET 4
5. CONNECTOR IS PART MARKED: **163A16769X CONEC ABC**

Directive 2002/95/EC RoHS compliant

THIS DRAWING MAY NOT BE COPIED OR REPRODUCED IN ANY WAY, AND MAY NOT BE PASSED ON TO A THIRD PARTY WITHOUT WRITTEN PERMISSION. OWNERSHIP AND COPYRIGHT OF CONEC GmbH DO NOT ALTER CAD DRAWING BY HAND				tolerance		scale: 2:1 (5:1)	
				date	name	material: SEE NOTES	
				drawn 10.04.2002	Perei	title: D-SUB HD MALE 44pos. SOLDER PIN STRAIGHT	
				appd. 10.04.2002	Mickenbecker		
			norm	d-old	dwg no:	DIN-A3	
			4 x b	A4102	14.09.2011	K.H.	sh: 3/6
			a	Original			
			rev.	description	date	name	part no: 163A16769X
			CONEC ®				

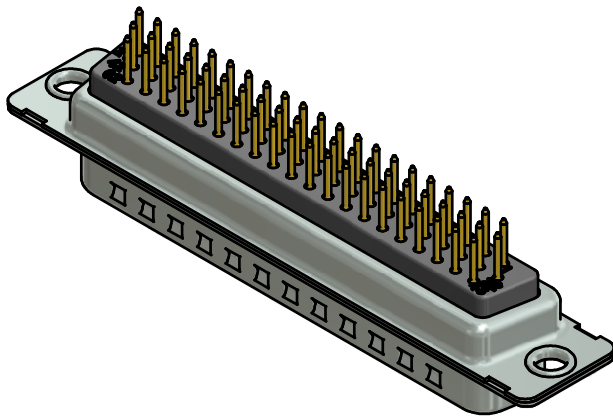
P.C.B. HOLE DRILLINGS

(P.C.B. TOP SIDE)



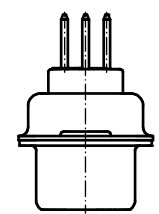
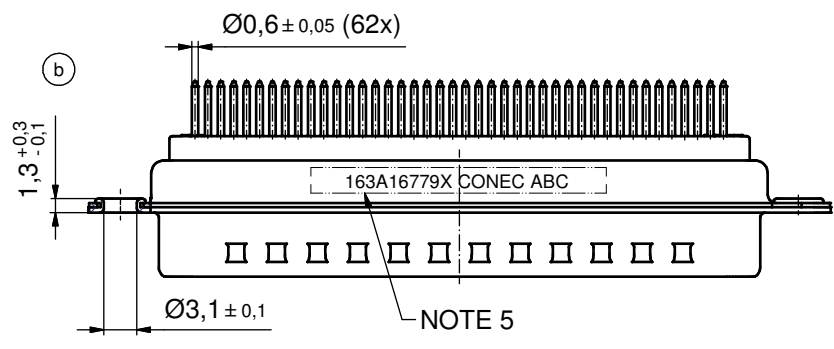
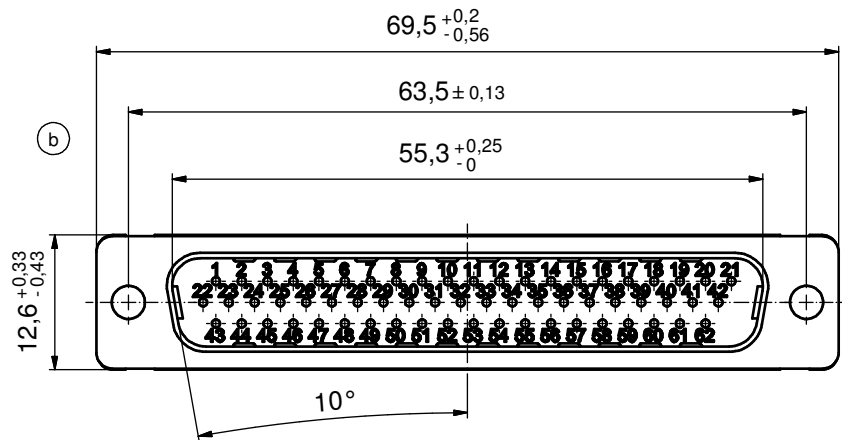
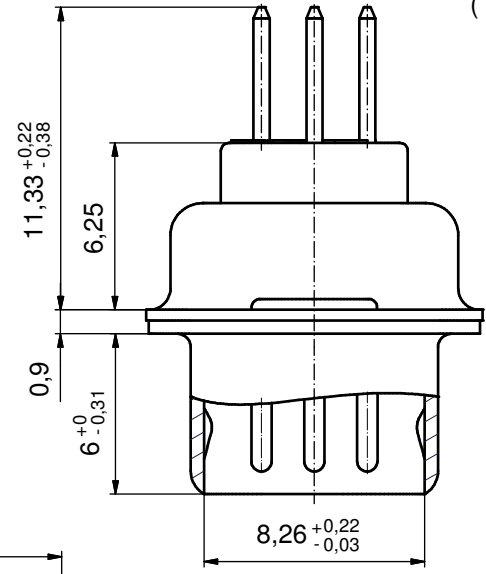
Directive 2002/95/EC RoHS compliant

THIS DRAWING MAY NOT BE COPIED OR REPRODUCED IN ANY WAY, AND MAY NOT BE PASSED ON TO A THIRD PARTY WITHOUT WRITTEN PERMISSION. OWNERSHIP AND COPYRIGHT OF CONEC GmbH DO NOT ALTER CAD DRAWING BY HAND					tolerance		scale: 2:1
					date	name	material: SEE SHEET3
					drawn	10.04.2002	Perei
					appd.	10.04.2002	Mickenbecker
					norm		
					d-old		
					rev.	a	Original
				description			
				date			
				name			
				CONEC [®]			title:
							P.C.B. HOLE DRILLINGS D-SUB HD MALE 44pos.
				dwg no:			DIN-A3
				16K1A542			sh: 4/6
				part no:			SEE SHEET3



(b)

(5:1)



(b) NOTES:

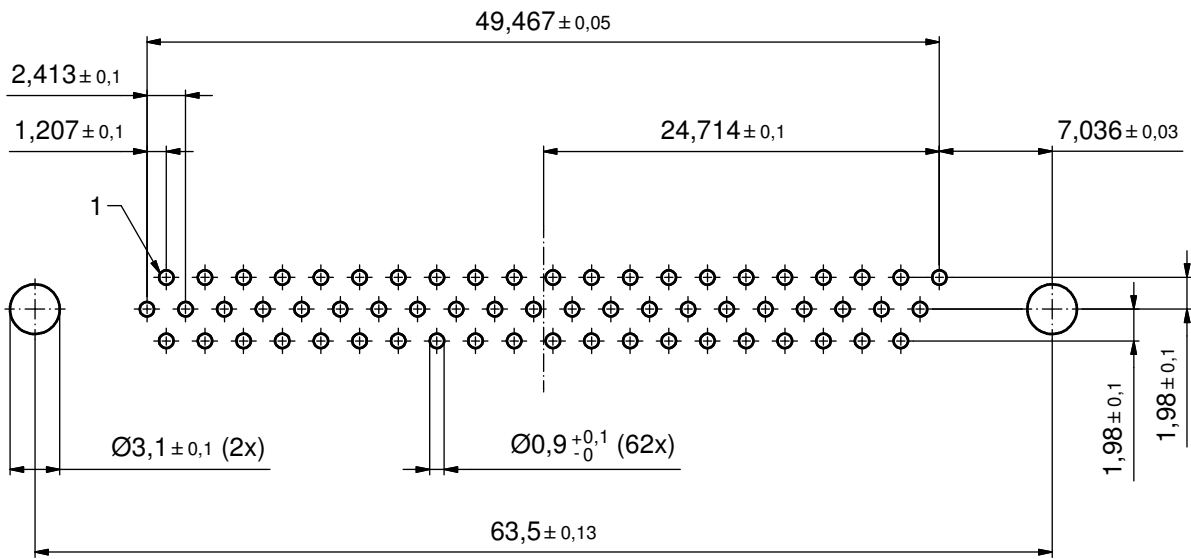
1. METALSHIELDS: STEEL; min. 315µm TIN over 40-80µm NICKEL
2. INSULATORS: PBT GF UL 94 V-0; BLACK
3. CONTACTS: COPPER ALLOY
PLATING: GOLD FLASH over NICKEL
4. P.C.B. HOLE DRILLINGS ON SHEET 6
5. CONNECTOR IS PART MARKED: 163A16779X CONEC ABC

Directive 2002/95/EC RoHS compliant

THIS DRAWING MAY NOT BE COPIED OR REPRODUCED IN ANY WAY, AND MAY NOT BE PASSED ON TO A THIRD PARTY WITHOUT WRITTEN PERMISSION. OWNERSHIP AND COPYRIGHT OF CONEC GmbH DO NOT ALTER CAD DRAWING BY HAND				tolerance	dim. in mm	scale:	2:1 (5:1)		
				date		name	material:	SEE NOTES	
				drawn	10.04.2002	Perei	title: D-SUB HD MALE 62pos. SOLDER PIN STRAIGHT		
				appd.	10.04.2002	Mickenbecker			
				norm					
			d-old			dwg no:			
4 x b	A4102	14.09.2011	K.H.			16K1A542		DIN-A3	
a	Original							sh: 5/6	
rev.	description	date	name			part no:	163A16779X		

P.C.B. HOLE DRILLINGS

(P.C.B. TOP SIDE)



Directive 2002/95/EC RoHS compliant

THIS DRAWING MAY NOT BE COPIED OR REPRODUCED IN ANY WAY, AND MAY NOT BE PASSED ON TO A THIRD PARTY WITHOUT WRITTEN PERMISSION. OWNERSHIP AND COPYRIGHT OF CONEC GmbH DO NOT ALTER CAD DRAWING BY HAND					tolerance		scale: 2:1
					date	name	material: SEE SHEET 5
					drawn	10.04.2002	Perei
					appd.	10.04.2002	Mickenbecker
					norm		
					d-old		
				rev.	a	Original	title: P.C.B. HOLE DRILLINGS D-SUB HD Male 62pos.
				description			dwg no: 16K1A542
				date			DIN-A3
				name			sh: 6/6
				CONEC [®]			part no: SEE SHEET 5