

REMARK:
 1.CHARACTERISTICS:
 RATED VOLTAGE: 250V
 RATED CURRENT: 5AMP
 CONTACT RESISTANCE: 25mohms MAX.INITIAL;40mohmsMAX.AFTER.
 INSULATION RESISTANCE: 5000Mohms MIN.at 500V DC
 DIELECTRIC STRENGTH: 1000VRMS
 OPERATING TEMPERATURE RANGE: -55°C~105°C
 INSERTION/EXTRACTION FORCE PER CONTACT :5N Max./0.3N Min.
 MATING/UNMATING CYCLES :50MATINGS MIN.

2.MATERIAL:
 INSULATORS: BLACK GLASS-FILLED THERMOPLASTIC UL94V-0
 CONTACTS: COPPER ALLOY, SELECTIVE GOLD ON CONTACT AREA,
 100µ" Min MATTE TIN TOP OVER SOLDER AREA,
 30µ" Min NICKEL UNDER PLATE.
 SHELL: STEEL,100µ" Min NICKEL TOP OVER,
 50µ" Min COPPER UNDER PLATE.
 BOARD LOCK :COPPER ALLOY,100µ" Min MATTE TIN PLATED.

3. PART NUMBER DESCRIPTION:
10090099-S XX 4 X LF
 SERIES NO. _____
 TYPE _____
 S: SOCKET (FEMALE)
 NUMBER OF CONTACTS _____
 09: 9-PIN
 15: 15-PIN
 25: 25-PIN
 37: 37-PIN
 _____ LF: ROHS COMPLIANT
 _____ FLANGE MOUNTING OPTION
 _____ X: UNC #4-40 CLINCHNUTS
 _____ CONTACT FINISH
 4: GOLD FLASH

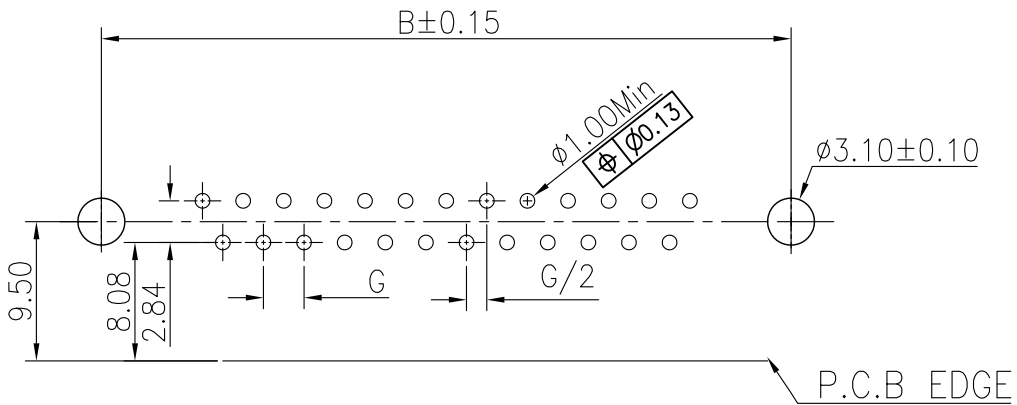
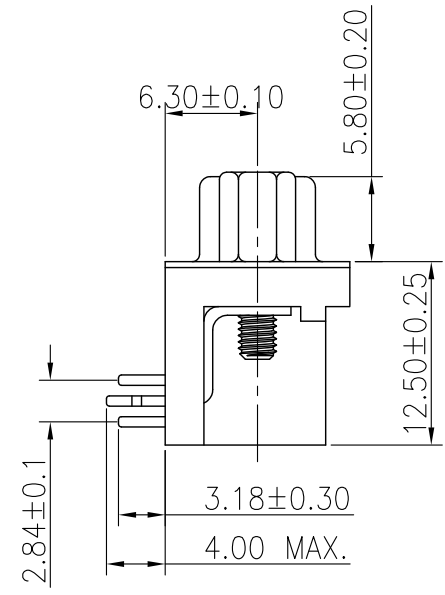
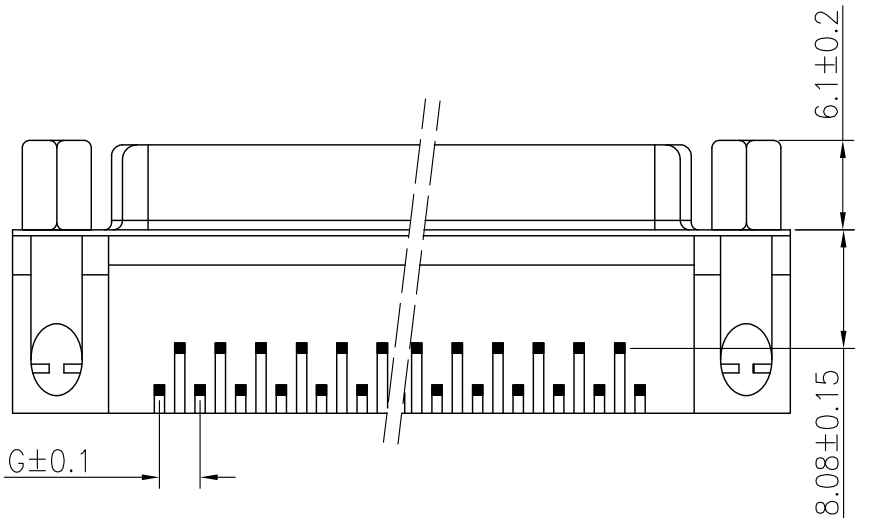
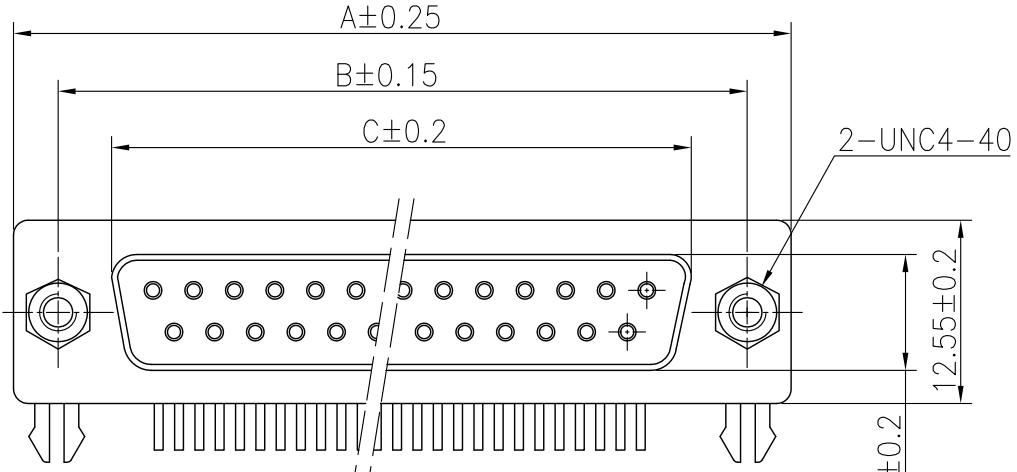
4. THE HOUSING WILL WITHSTAND EXPOSURE TO 260°C PEAK TEMPERATURE FOR 3.5 SECONDS IN A WAVE SOLDER APPLICATION WITH 1.6MM MIN. THICK PCB.

POS.	PART NO.	THREAD TYPE		
09P	10090099-S094XLF	UNC 4-40		
15P	10090099-S154XLF	UNC 4-40		
25P	10090099-S254XLF	UNC 4-40		
37P	10090099-S374XLF	UNC 4-40		
POS.	A	B	C	G
09P	30.81	24.99	16.33	2.74
15P	39.24	33.32	24.66	2.74
25P	53.04	47.04	38.38	2.77
37P	69.32	63.50	54.84	2.77

mat'l. code		surface ISO 1302 ✓		tolerance ISO 406 ISO 101		projection		product family	
-						MM		D-SUB	
ltr	ecn no	dr	date	tolerances unless otherwise specified					
F	ELX-I-17662-1	MP	2014/05/12	angles linear		.0±0.38		title	
				0°±2'		.00±0.25		D-SUB FEMALE RIGHT ANGLE	
						.000±0.10		US STYLE	
						scale 1:1		dwg no	
				dr MITHUN PAUL 2014/05/12		FCJ		sheet 1 of 2	
				engr MITHUN PAUL 2014/05/12				size	
				chr MITHUN PAUL 2014/05/12				10090099	
				appd BIJU K PAUL 2014/05/12				A3	
sheet index		revision sheet		F 1		F 2		type Product Customer Drawing	



Copyright FCI



REMARK:
 1.CHARACTERISTICS:
 RATED VOLTAGE: 250V
 RATED CURRENT: 5AMP
 CONTACT RESISTANCE: 25mohms MAX.INITIAL ;40mohms MAX.AFTER
 INSULATION RESISTANCE: 5000Mohms MIN.at 500V DC
 DIELECTRIC STRENGTH: 1000VRMS
 OPERATING TEMPERATURE RANGE: -55°C~105°C
 INSERTION/EXTRACTION FORCE PER CONTACT :5N Max./0.3N Min.
 MATING/UNMATING CYCLES :50MATINGS MIN.

2.MATERIAL:
 INSULATORS: BLACK GLASS-FILLED THERMOPLASTIC UL94V-0,
 CONTACTS: COPPER ALLOY,SELECTIVE GOLD ON CONTACT AREA,
 100u" Min MATTE TIN TOP OVER SOLDER AREA,
 30u" Min NICKEL UNDER PLATE.
 SHELL: STEEL,100u" Min NICKEL TOP OVER,
 50u" Min COPPER UNDER PLATE.
 BOARD LOCK :COPPER ALLOY,100u" Min MATTE TIN PLATED.
 SCREW LOCK: COPPER ALLOY, 100u" Min BRIGHT NICKEL PLATED.

3. PART NUMBER DESCRIPTION:
10090099-S XX 4 V LF
 SERIES NO. _____
 TYPE _____
 S: SOCKET (FEMALE)
 NUMBER OF CONTACTS _____
 09: 9-PIN
 15: 15-PIN
 25: 25-PIN
 37: 37-PIN
 LF: ROHS COMPLIANT
 FLANGE MOUNTING OPTION
 V: UNC #4-40 SCREWLOCKS
 CONTACT FINISH
 4: FLASH GOLD

4. THE HOUSING WILL WITHSTAND EXPOSURE TO 260°C PEAK TEMPERATURE FOR 3.5 SECONDS IN A WAVE SOLDER APPLICATION WITH 1.6MM MIN. THICK PCB.

POS.	PART NO.	A	B	C	G
09P	10090099-S094VLF	30.81	24.99	16.33	2.74
15P	10090099-S154VLF	39.24	33.32	24.66	2.74
25P	10090099-S254VLF	53.04	47.04	38.38	2.77
37P	10090099-S374VLF	69.32	63.50	54.84	2.77

mat'l. code		surface		tolerance		projection		product family	
-		ISO 1302 ✓		ISO 406 ISO 101		101		D-SUB	
ltr		ecn no		dr		date		title	
F								D-SUB FEMALE RIGHT ANGLE US STYLE	
								dwg no	
								10090099	
								sheet 2 of 2	
								size	
								A3	
								type	
								Product Customer Drawing	
sheet index		revision sheet							



Copyright FCI