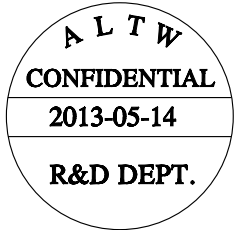
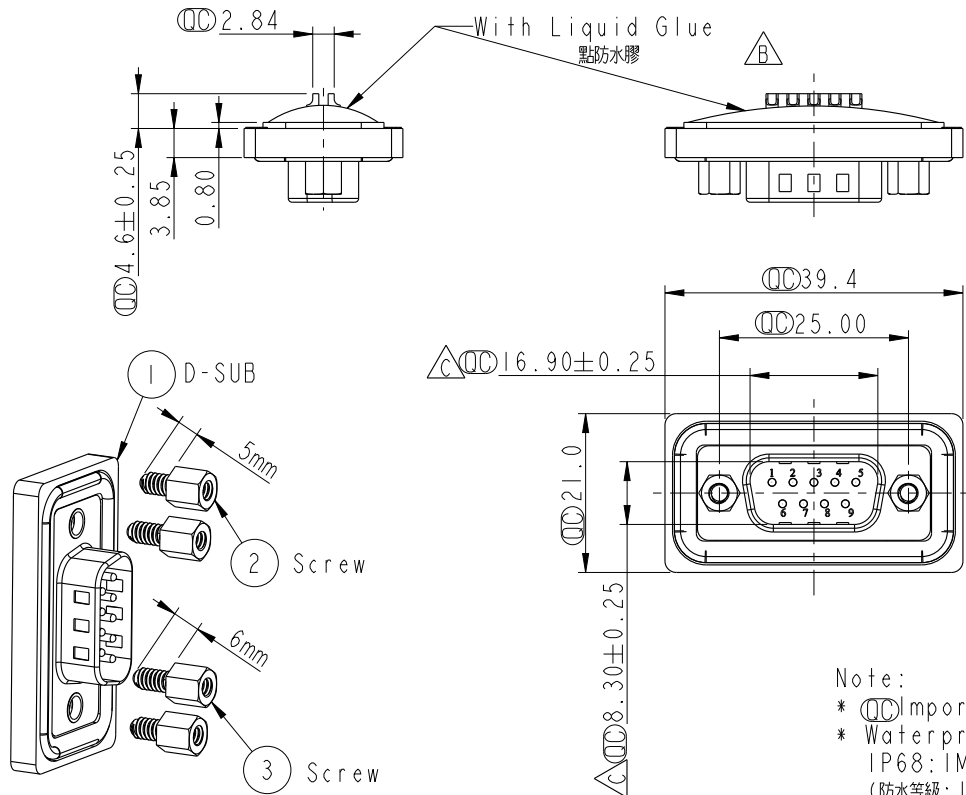
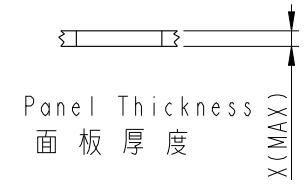


REV.	ECN NO.	DATE	SIGN	DESCRIPTION
B	LEN-970108	2009/07/10	Vicky	Remove Pin Dim.
C	LEN1350212	2013/05/14	Yulong	Change the Dimension

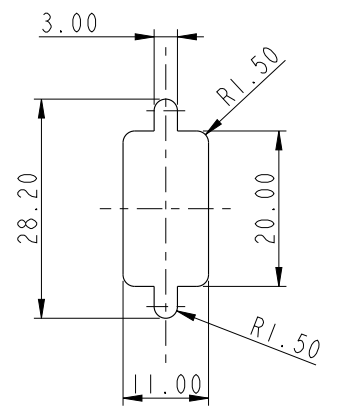


- Note:
- * \varnothing Important Dimension.
 - * Waterproof Rate: IP68
IP68: 1M of depth of water 24 hours
(防水等級: IP68)
(IP68: 1米水深24小時)
 - * Do Mating Test After Glued
點膠後, 須作對插測試
 - * Housing: Black, Nylon+GF.
 - * Connector: Black, PBT.
 - * Male Pin: Copper Alloy, Gold Plated.
 - * Ring: Light Blue, Silicone.
 - * Screw: Copper Alloy, Nickel Plated, #4-40 UNC.
 - * Applicable Wire Range: 22AWG-26AWG.
適用電線範圍: 22AWG-26AWG



Screw L=5.0 For Panel Thickness Under 1.2mm
適用板厚為 1.2mm 以下

Screw L=6.0 For Panel Thickness Between 1.2~2.0mm
適用板厚為 1.2~2.0mm



Recommended Panel Cut-Out
建議挖孔尺寸

UNIT: mm		
TOLERANCE	.X ±0.25	
	.XX ±0.1	
	.XXX ±0.05	
ANGLES	±1°	

TITLE D-SUB Conn. Panel Screw DB9P M Conn. M Pin			
SCALE	1:1	SIZE	A4
REV.	C	WC-REV.	A.5
		SHEET 1 OF 1	
①: Inspection item			

Amphenol LTW
安費諾亮泰企業股份有限公司

ITEM NO	SDB-09PMMS-SL8001	DRAWN BY	Yulong_wang	DATE	2013-05-14
DWG NO	SDB-09PMMS-SL8001	CHECKED BY	Victor	DATE	2013-05-14
CUSTOMER	ALTW	APPROVED BY	Maslow	DATE	2013-05-14

THIS DOCUMENT IS SUBJECT TO CHANGE WITHOUT NOTICE. IT IS CONFIDENTIAL AND A PROPERTY OF Amphenol LTW. DISCLOSURE TO THIRD PARTY HAS TO BE AUTHORIZED BY Amphenol LTW.