

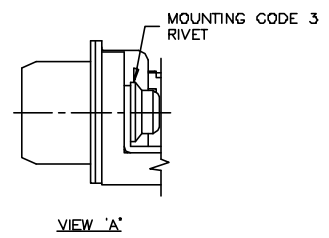
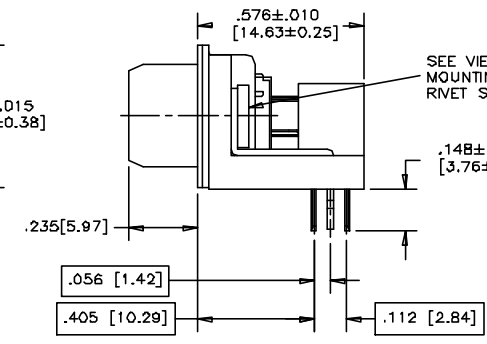
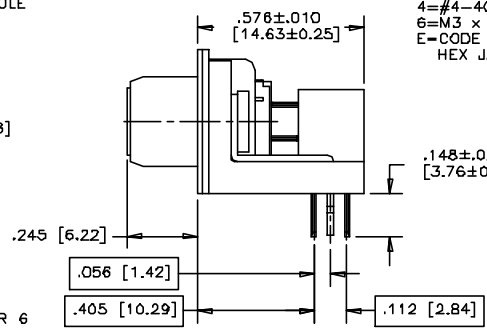
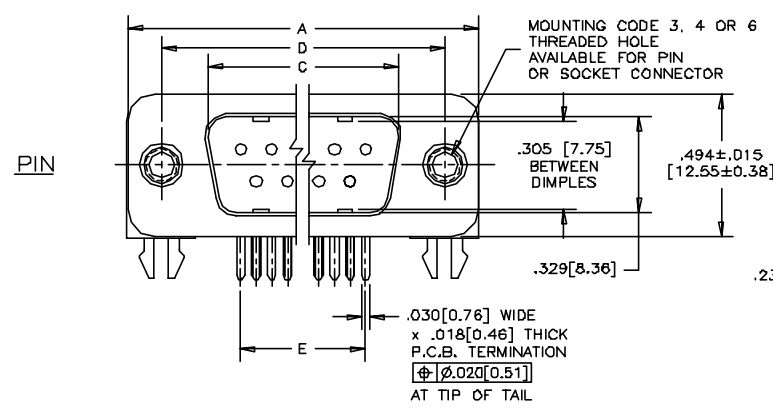
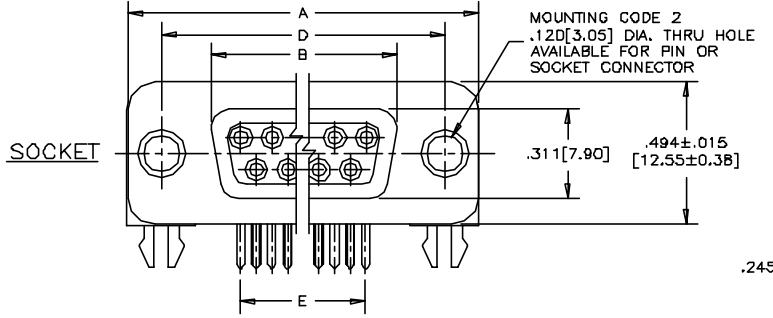
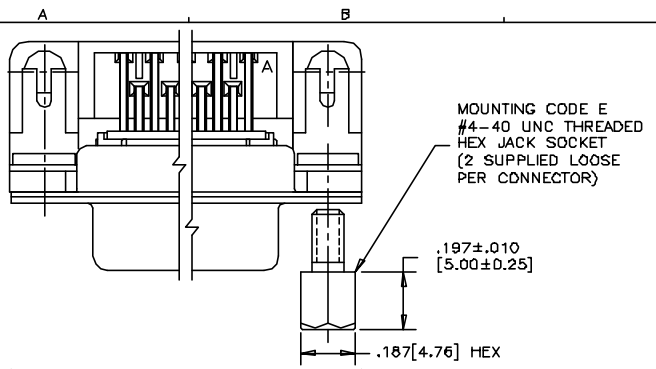
REVISIONS				
SYM	ZONE	EGN, ERN NO.	DATE	APPRD.
A		PRODUCT DRAWING	99/09/23	K.L.

THIS IS A CAD DRAWING. DO NOT MANUALLY REVISE!

ORDERING CODE: F C C 1 7 - E 0 9 P B - 4 4 0 G

SERIES _____
 SIZE/NUMBER OF CONTACTS _____
 E09, A15, B25, OR C37
 CONNECTOR STYLE _____
 P=PIN
 S=SOCKET
 TERMINATION TYPE _____
 B=.405" [10.29] FOOTPRINT
 MOUNTING _____
 2=.120 [3.05] DIA THROUGH HOLE
 3=#4-40 UNC SELF-LOCKING THREAD
 4=#4-40 UNC THREAD
 6=M3 x 0.5 THREAD
 E=CODE 4 MOUNTING WITH #4-40 UNC HEX JACK SOCKET SUPPLIED.

CONTACT FINISH/GOLD THICKNESS
 NO DIGIT-STANDARD 15 μINCHES [0.38 MICRONS] GOLD
 G=50 μINCHES [1.27 MICRONS] GOLD
 MODIFIER
 0-STANDARD
 FILTER CAPACITANCE
 D=50 pF 5=1000 pF
 0=180 pF E=2200 pF
 1=470 pF 9=5600 pF
 4=820 pF 8=47000 pF
 REFER TO AMPHENOL CATALOGUE FOR FILTER PERFORMANCE CHARACTERISTICS



NOTES:

- MATERIALS: - SHELLS - TIN PLATED STEEL
 - CONTACTS - PHOSPHOR BRONZE PLATED WITH GOLD OVER NICKEL ON THE MATING AREA AND TIN-LEAD ON THE TERMINALS
 - INSULATOR - ENGINEERING THERMOPLASTIC, FLAMMABILITY RATING UL94V-0, BLACK.
- CONTACT RESISTANCE: 15 MILLIOHMS MAXIMUM.
- INSULATION RESISTANCE: 3000 MEGOHMS MINIMUM
- CURRENT RATING: 5 AMPS MAXIMUM
 2 AMPS FILTERING MAXIMUM
- OPERATING TEMPERATURE: -40°C TO 85°C.
- TOLERANCE, UNLESS INDICATED OTHERWISE, ±.005 [0.13].

SIZE	STYLE	A±.015 [0.38]	B±.005 [0.13]	C±.005 [0.13]	D±.005 [0.13]	E BSC.
E09	PIN	1.213 [30.81]	-----	.666 [16.92]	.984 [24.99]	.432 [10.97]
	SOCKET		.643 [16.33]	-----		
A15	PIN	1.541 [39.14]	-----	.994 [25.25]	1.312 [33.32]	.756 [19.20]
	SOCKET		.971 [24.68]	-----		
B25	PIN	2.088 [53.04]	-----	1.534 [38.96]	1.852 [47.04]	1.304 [33.12]
	SOCKET		1.511 [38.38]	-----		
C37	PIN	2.729 [69.32]	-----	2.182 [55.42]	2.500 [63.50]	1.956 [49.68]
	SOCKET		2.159 [54.84]	-----		

THIS DOCUMENT CONTAINS PROPRIETARY INFORMATION AND SUCH INFORMATION MAY NOT BE DISCLOSED TO OTHERS FOR ANY PURPOSE OR USED FOR MANUFACTURING PURPOSES WITHOUT WRITTEN PERMISSION FROM AMPHENOL CANADA CORP.

MATERIAL	DRAWN I.ESSAJEE DATE 08/03/11	Amphenol Canada Corp. TITLE FCC17 FILTERED D-SUB, RIGHT ANGLE .405" [10.29] F/P, PIN & SOCKET - PLASTIC MTG. BRACKET & BOARDLOCK DWG DRAWING NO. P-FCC17-XXXXB-XX0X REV. A
	DESIGNED	
	CHECKED K.LAMBIE 99/09/23	
	I. E. APPRD.	
	Q. A. APPRD.	
FINISH	DWG. APPRD.	SCALE N.T.S.
	ENG. REL. NO.	SURF. -----
	REF. EAR C1085B	SHEET 7 OF 7
	DIMENSIONS ARE IN INCHES [mm] CODE ID. NO. 03554	