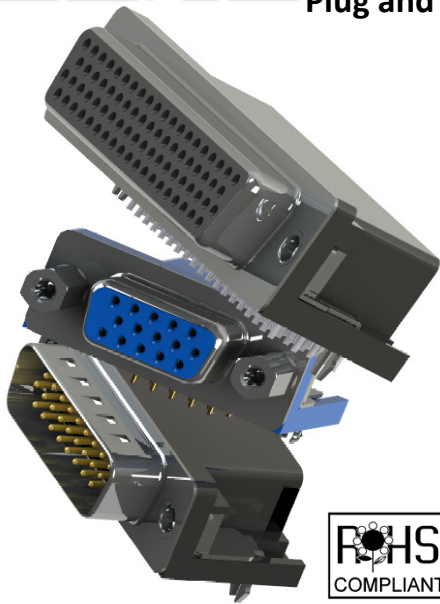




SERIES 633/634: HD D-SUB CONNECTOR

Plug and Receptacle, Right Angle, High Density .350" (8.89mm) Footprint

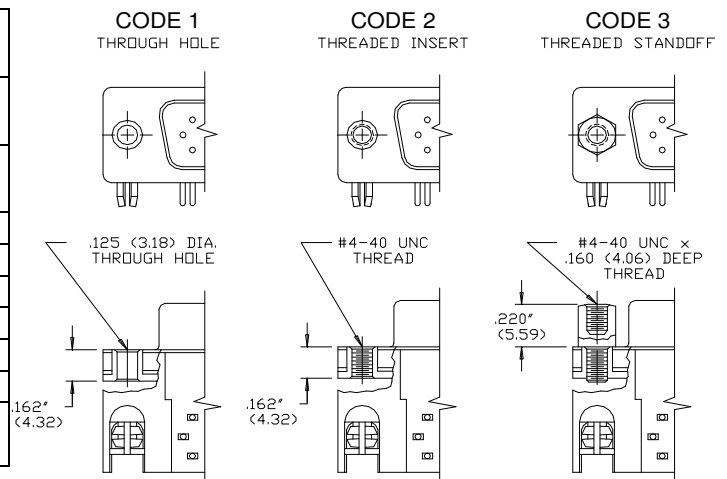


- High Density Three Contact Rows with .350" (8.89mm) Footprint Right Angle Bend
- .090" (2.29mm) Contact Spacing X .078" (1.98mm) Row Spacing
- Optional 9th pin recessed by .050" (1.27mm) on 15 Contact Size in accordance with VESA Display Data Channel Standard
- Plug and Receptacle in 15, 26, 44, 62 or 78 Contact Sizes
- Pin and Socket Contact Mating Design with P.C. Tail Termination
- Metal Shell Provides EMI/RFI Shielding, Plug Shell Indents provide Grounding and Additional Mating Retention
- Grounding Features include Top or Bottom Ground Plates and Two or Four Prong Boardlock for Exceptional Retention to P.C. Board
- Mounting Options for Panel Mount or Connector Mating include Through Hole, Threaded Inserts and Threaded Standoffs
- D-Shaped Connector Mating Outline provides Polarization
- Design based on Requirements of MIL-C-24038, EIA RS-232 and RS-449

Specifications:

Insulator Material	Thermoplastic Polyester, UL 94V-0, Chemical Resistant, Color: Black or Blue (9th pin recessed)
Contact Material	Plug (Pins): Brass Receptacle (Socket): Brass or Phosphor Bronze
Contact Plating	Selective Gold (See Ordering Code) over Nickel for the Mating Area, Tin Plating for Tail Area
Shell Material	Nickel Plated Steel
Current Rating	3A Per Contact
Contact Resistance	10 Milliohms MAX
Insulation Resistance	5000 Megohms MIN
Dielectric Voltage	1000V AC rms at Sea Level
Operating Temp.	-55°C To +105°C
Mating and Unmating Force	1oz To 10oz (0.28N To 2.78N) Per Contact Position

MOUNTING OPTIONS



Ordering Code:

634-015-263-042

SERIES:

633: PLUG (PIN)
634: RECEPTACLE (SOCKET)

NO. OF CONTACTS:

015 - 15 CONTACTS 026 - 26 CONTACTS
044 - 44 CONTACTS 062 - 62 CONTACTS
078 - 78 CONTACTS

CONTACT FINISH CODE:

2 - GOLD FLASH PLATING
3 - 15 MICROINCHES OF GOLD PLATING
6 - 30 MICROINCHES OF GOLD PLATING

CONTACT CODE:

63 - STANDARD CONTACT, BLACK INSULATOR
73 - 9TH PIN CONTACT RECESSED .050", BLACK INSULATOR
74 - 9TH PIN CONTACT RECESSED .050", BLUE INSULATOR

MOUNTING OPTIONS:

0 - FIXED ROUND STANDOFF WITH THREADED INSERT
1 - Ø.125" (Ø3.18MM) THROUGH HOLE
2 - 4-40 UNC THREADED INSERT
3 - 4-40 UNC HEX THREADED STANDOFF

GROUNDING FEATURE:

1 - Ø.120" (Ø3.05MM) THROUGH HOLE TOP GROUND
2 - Ø.120" (Ø3.05MM) THROUGH HOLE BOTTOM GROUND
3 - TWO PRONG BOARDLOCKS FOR Ø.120" (Ø3.05MM) HOLE
4 - THREE PRONG BOARDLOCKS FOR Ø.120" (Ø3.05MM) HOLE

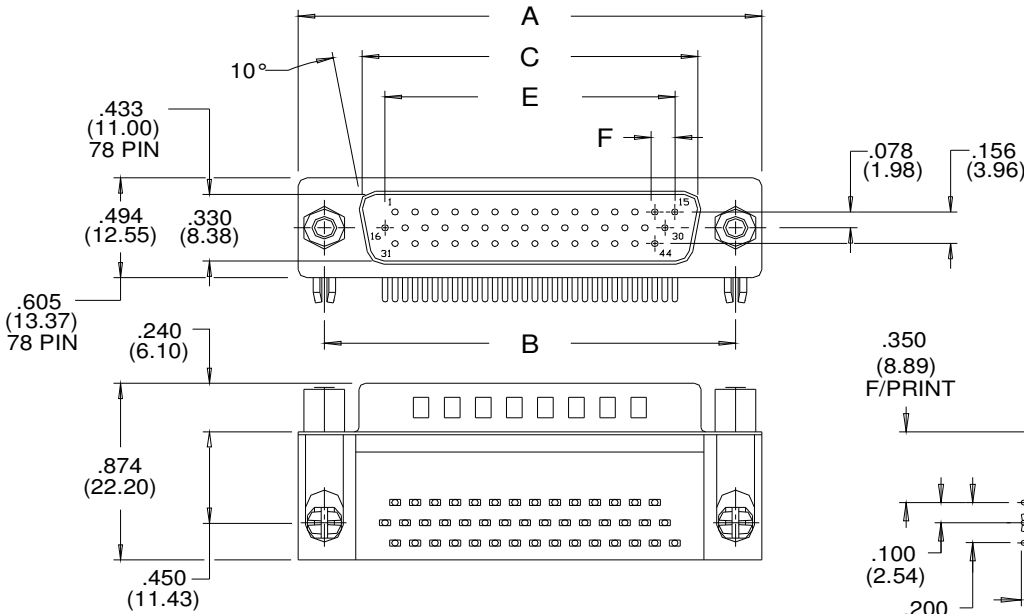
MATERIAL CODE:

0 - BRASS (633); PHOSPHOR BRONZE (634)
1 - BRASS (634 ONLY)
5 - PHOSPHOR BRONZE, HIGH TEMP INSULATOR (634)
- BRASS, HIGH TEMP INSULATOR (633)
6 - BRASS, HIGH TEMP INSULATOR (634 ONLY)

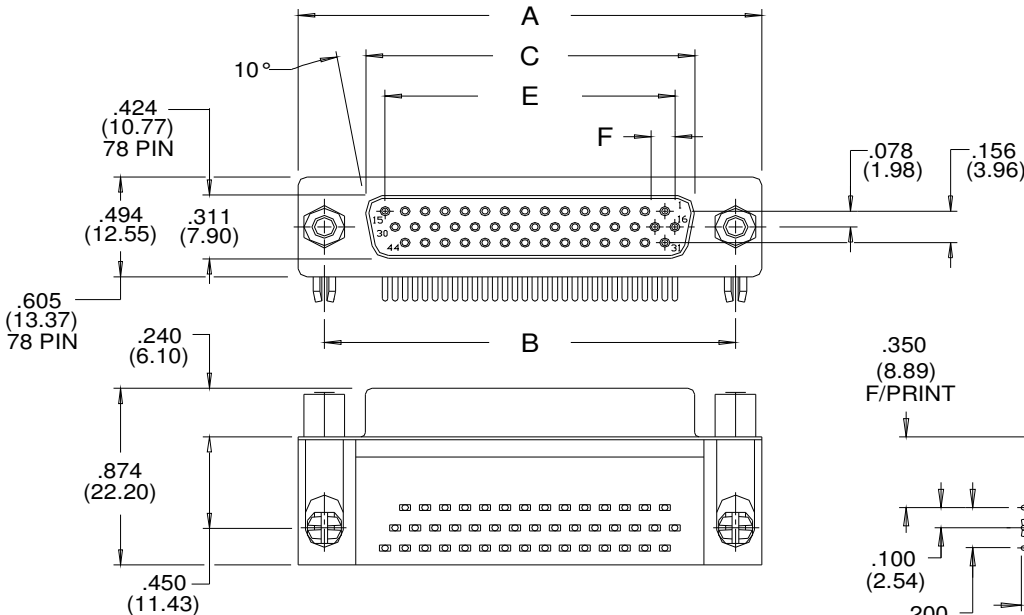


SERIES 633/634: HD D-SUB CONNECTOR

Plug and Receptacle, Right Angle, High Density .350" (8.89mm) Footprint

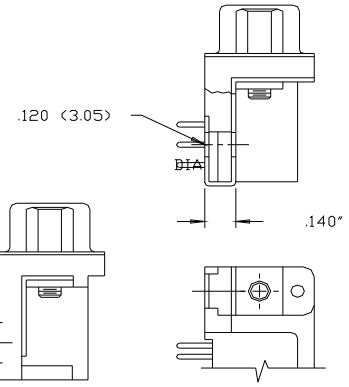


RECEPTACLE 634 SERIES

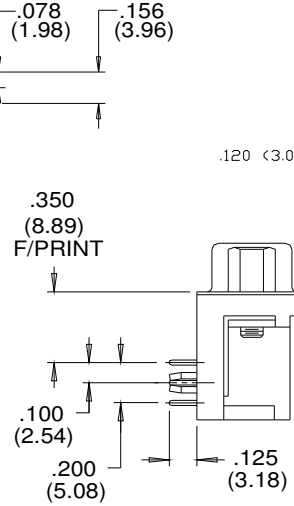
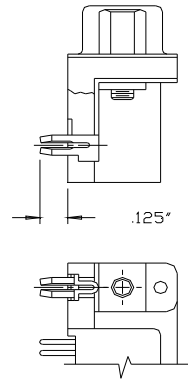


GROUNDING FEATURES

CODE 2
BOTTOM GROUND PLATE



CODE 4
FOUR PRONG BOARD LOCK



NUMBER OF CONTACTS	A		B		C PLUG		C RECEPTACLE		E		F	
	Inch	(mm)	Inch	(mm)	Inch	(mm)	Inch	(mm)	Inch	(mm)	Inch	(mm)
15	1.214	(30.84)	.984	(24.99)	.667	(16.92)	.640	(16.26)	.405	(10.29)	.090	(2.29)
26	1.545	(39.24)	1.312	(33.32)	.994	(25.25)	.967	(24.56)	.765	(19.43)	.090	(2.29)
44	2.088	(53.04)	1.852	(47.04)	1.534	(38.96)	1.508	(38.30)	1.305	(33.15)	.090	(2.29)
62	2.730	(69.34)	2.500	(63.50)	2.182	(55.42)	2.156	(54.76)	1.947	(49.45)	.095	(2.41)
78	2.635	(66.93)	2.406	(61.11)	2.090	(53.08)	2.064	(52.43)	1.805	(45.85)	.095	(2.41)