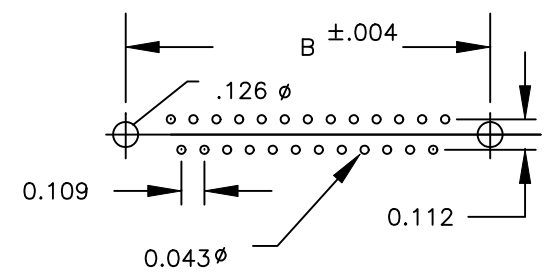
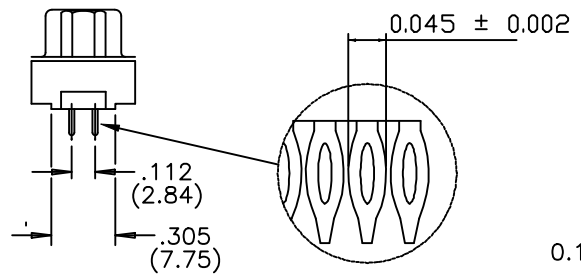
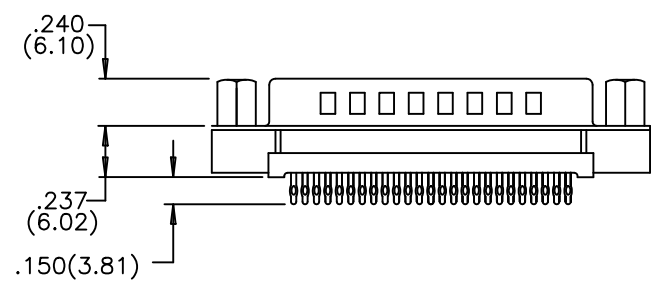
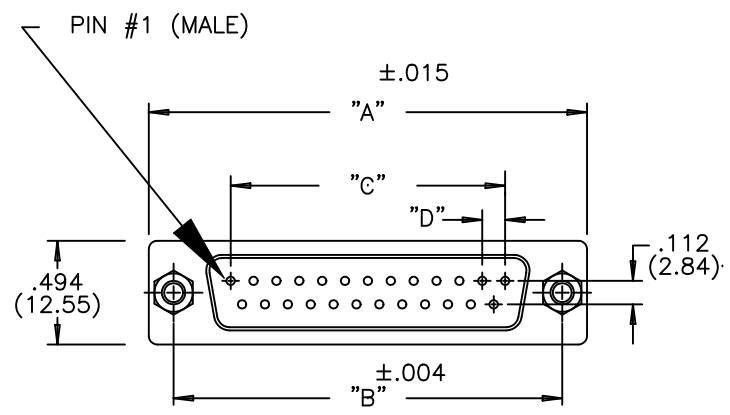


DESCRIPTION: VERTICAL MOUNT MALE LOW PROFILE/PLASTIC BACK PRESS FIT



(9, 15, 25, 37 POSITIONS)

NUMBER OF CONTACTS	"A" Inch (mm)	"B" Inch (mm)	"C" Inch (mm)	"D" Inch (mm)
9	1.214 (30.84)	.984 (24.99)	.432 (10.97)	.109 (2.76)
15	1.545 (39.24)	1.312 (33.32)	.756 (19.20)	.109 (2.76)
25	2.088 (53.04)	1.852 (47.04)	1.304 (33.12)	.109 (2.76)
37	2.730 (69.34)	2.500 (63.50)	1.956 (49.68)	.109 (2.76)

MATERIALS:

INSULATOR: NYLON 6T, UL 94 V-0 260 °C PROCESS TEMP  
CHEMICAL RESISTANCE, COLOR BLACK

SHELL: STEEL, NICKEL PLATED

CONTACT: MALE=BRASS; FEMALE=PHOSPHOR BRONZE  
GOLD FLASH OR 30 MICRO-INCH IN MATING AREA  
TIN PLATING ON TAIL ENDS

RoHS COMPLIANT

ELECTRICAL:

CURRENT RATING: 5 AMPERES  
DIELECTRIC WITHSTANDING VOLTAGE: 1000VAC rms AT SEA LEVEL  
INSULATION RESISTANCE: 5000 MEGOHMS MIN.  
CONTACT RESISTANCE: 10 MILLIOHMS MAX.  
WORKING TEMPERATURE: -55° TO +125° C

191-025-123RYYY

SERIES \_\_\_\_\_

NUMBER OF CONTACTS \_\_\_\_\_

GENDER \_\_\_\_\_  
1 = MALE  
2 = FEMALE (NO GROUND INDENTS)

TERMINATION \_\_\_\_\_  
2 - PRESS FIT

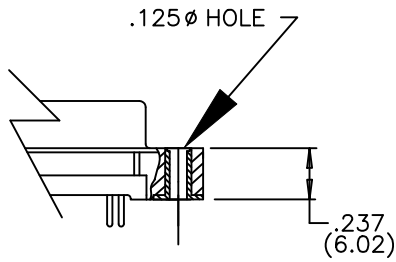
SHELL \_\_\_\_\_  
3 = NICKEL

HARDWARE OPTIONS: \_\_\_\_\_  
00 = .125 HOLE  
55 = 4-40 INSERT  
56 = 4-40 INSERT WITH BOARD LOCKS  
57 = 4-40 STANDOFF WITH BOARD LOCKS  
59 = 4-40 STANDOFF

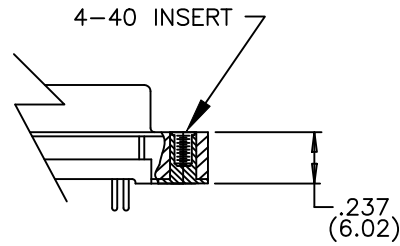
PLATING \_\_\_\_\_  
1 = GOLD FLASH  
2 = 30 MICRO-INCH GOLD

	THESE DRAWINGS AND SPECIFICATIONS ARE THE PROPERTY OF NorComp AND SHALL NOT BE REPRODUCED, COPIED OR USED AS THE BASIS FOR THE MANUFACTURE OF SALE OF APPARATUS WITHOUT WRITTEN PERMISSION.		DRAWN: PAM JENKINS	DATE: 9-15-05
	<h1>NorComp</h1>		CHECKED:	DATE:
SCALE:			SHEET 1 OF 2	REV 2
			DWG NO. 191-YYY-123RYYY	

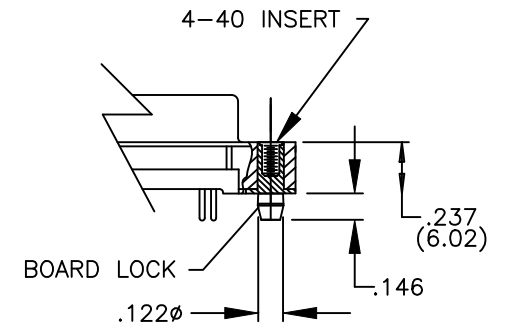
00 = .125 DIA. HOLE



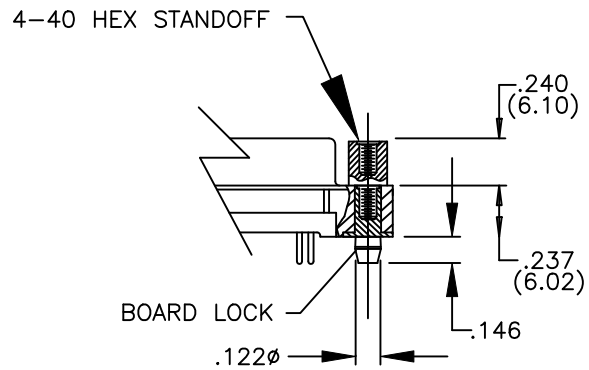
55 = 4-40 INSERT



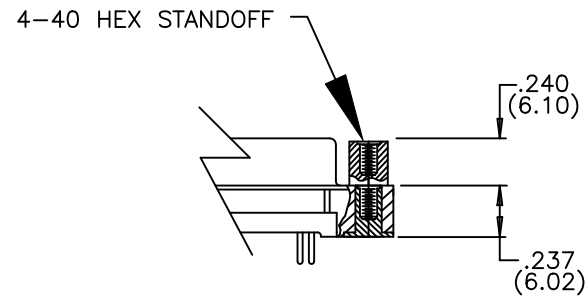
56 = 4-40 INSERT WITH BOARD LOCK



57 = 4-40 STANDOFF WITH BOARD LOCKS



59 = 4-40 STANDOFF



THESE DRAWINGS AND SPECIFICATIONS ARE THE PROPERTY OF NorComp AND SHALL NOT BE REPRODUCED, COPIED OR USED AS THE BASIS FOR THE MANUFACTURE OR SALE OF APPARATUS WITHOUT WRITTEN PERMISSION.

DRAWN:  
PAM JENKINS

DATE:  
9-15-03

CHECKED:

DATE:

**NorComp**

SCALE:

SHEET

OF

REV

2

2

2

DWG NO.

191 SERIES HARDWARE OPTIONS