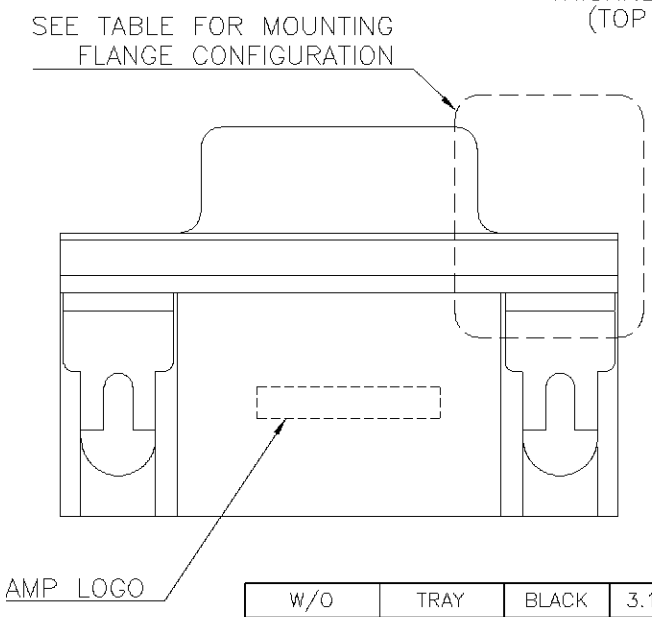
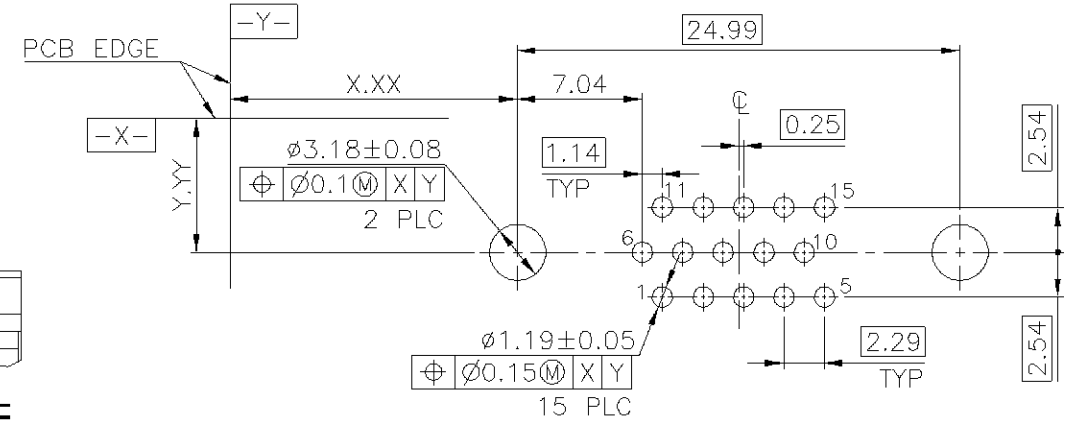
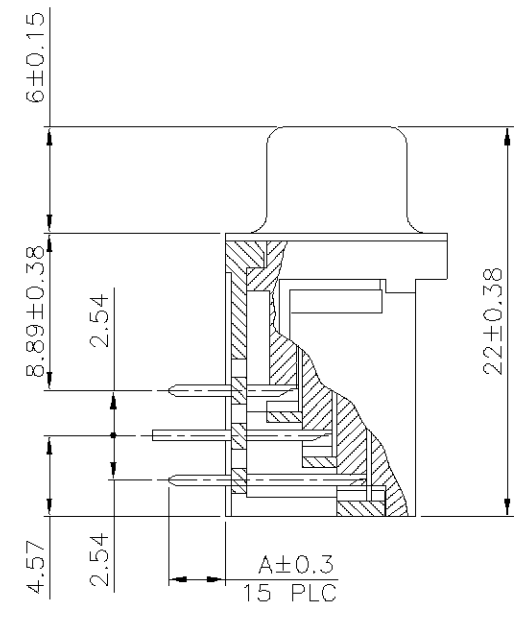
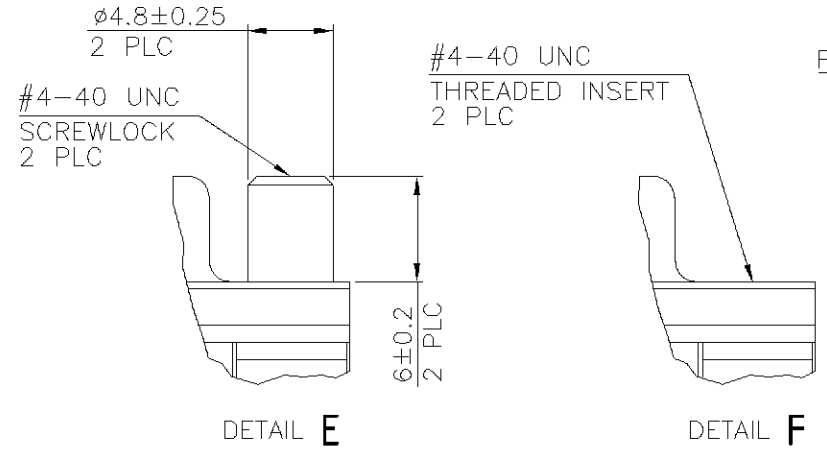
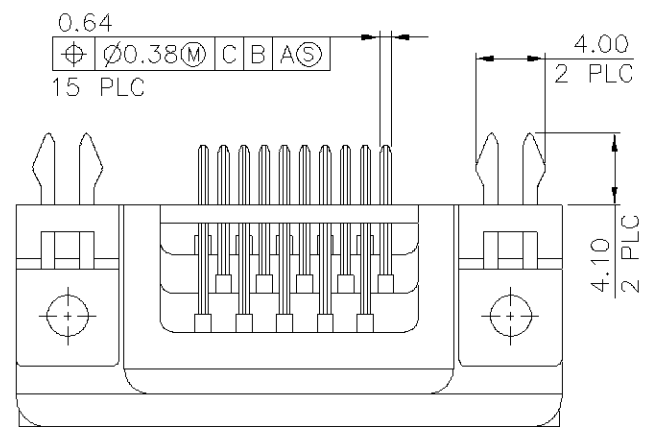
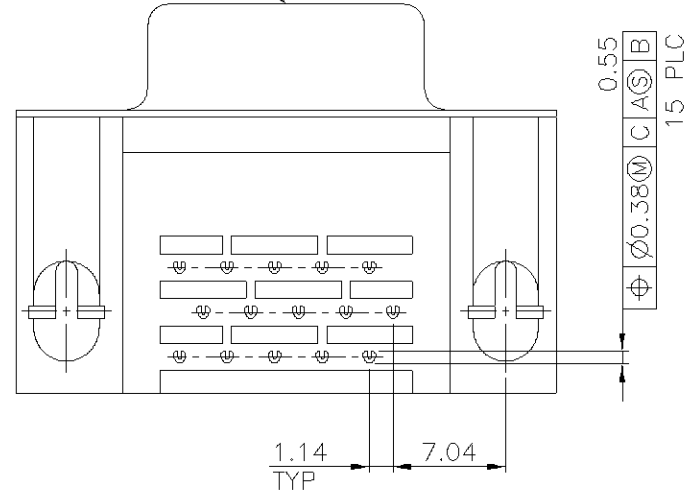
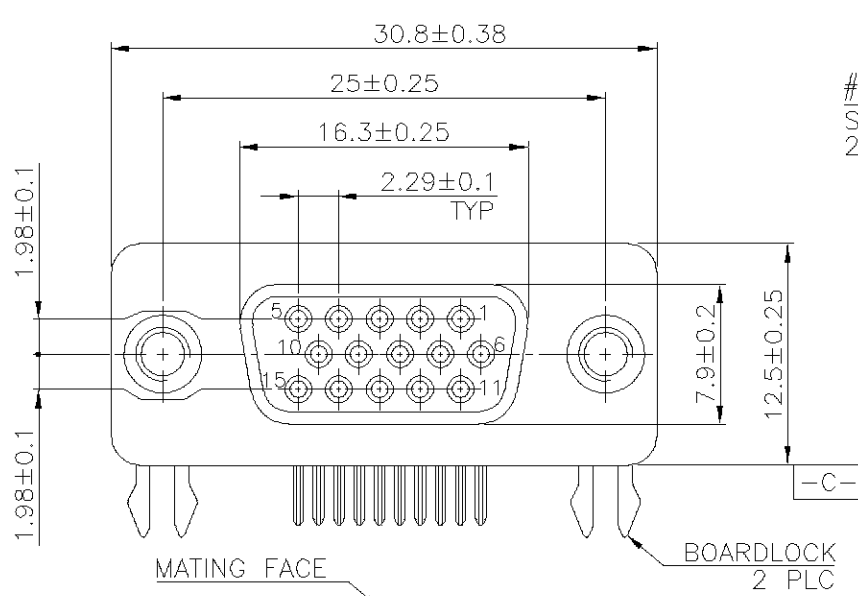
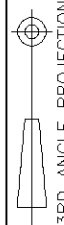


THIS INFORMATION IS CONFIDENTIAL AND IS DISCLOSED TO YOU ON CONDITION THAT NO FURTHER DISCLOSURE IS MADE BY YOU TO OTHER THAN AMP PERSONNEL WITHOUT WRITTEN AUTHORIZATION FROM AMP (TAIWAN) LTD. DIMENSIONS IN MILLIMETERS. DO NOT SCALE PRINT.

METRIC

NUMBER
C-1470250



- NOTE:
- MATERIAL:
HOUSING: THERMOPLASTIC UL 94V-0, COLOR: (SEE TABLE)
CONTACTS: PHOSPHOR BRONZE.
SHELL: LOW CARBON STEEL.
BOARDLOCKS: BRASS.
SCREWLOCKS: BRASS, THREAD LENGTH OF SCREW: 6.0 MIN.
INSERTS: BRASS.
 - FINISH:
CONTACTS: GOLD PLATED(SEE TABLE) IN CONTACT AREA, 120µ" MIN. TIN-LEAD ON SOLDER TAILS, 50µ" MIN. NICKEL UNDERPLATED ALL OVER.
SHELL: NICKEL PLATED.
BOARDLOCKS: TIN-LEAD OVER NICKEL PLATED.
SCREWLOCKS: NICKEL PLATED.
 - SPECIFICATIONS:
MECHANICAL:
INSERTION FORCE WITH PIN GAGE OF Ø0.78MM: 0.3Kgf MAX.
UNMATING FORCE WITH PIN GAGE OF Ø0.71MM: 0.02Kgf MIN.
ELECTRICAL:
VOLTAGE RATING: 250 VAC RMS.
CURRENT RATING: 2 AMP.
INSULATION RESISTANCE: 1000 MEGAOHMS MIN.
CONTACT RESISTANCE: 20 MILLIOHMS MAX.
DIELECTRIC WITHSTANDING VOLTAGE: 1000 VAC RMS.
ENVIRONMENTAL:
OPERATING TEMPERATURE: -55°C TO 130°C.
 - THIS CONNECTOR IS RATED TO A TEMPERATURE OF 220°C MAX AND 90 SECOND MAXIMUM EXPOSURE TIME.
 - DIMENSIONS X.XX & Y.YY ARE ESTABLISHED BY CUSTOMER.

BOARDLOCK	PACKAGING	HOUSING COLOR	DIM. A	MOUNTING FLANGE CONFIGURATION	MIN. GOLD THICKNESS	PART NUMBER
W/O	TRAY	BLACK	3.18	DETAIL F	30µ"	3-1470250-3
W/	TUBE	BLACK	3.18	DETAIL F	30µ"	2-1470250-3
W/	TUBE	BLACK	3.18	DETAIL F	15µ"	2-1470250-2
W/	TUBE	BLACK	3.18	DETAIL F	G/F	2-1470250-1
W/	TRAY	BLACK	2.16	DETAIL F	30µ"	1-1470250-6
W/	TRAY	BLACK	2.16	DETAIL F	15µ"	1-1470250-5
W/	TRAY	BLACK	2.16	DETAIL F	G/F	1-1470250-4
W/	TRAY	BLACK	3.18	DETAIL F	30µ"	1-1470250-3
W/	TRAY	BLACK	3.18	DETAIL F	15µ"	1-1470250-2
W/	TRAY	BLACK	3.18	DETAIL F	G/F	1-1470250-1
W/	TRAY	BLACK	2.16	DETAIL E	30µ"	1470250-6
W/	TRAY	BLACK	2.16	DETAIL E	15µ"	1470250-5
W/	TRAY	BLACK	2.16	DETAIL E	G/F	1470250-4
W/	TRAY	BLACK	3.18	DETAIL E	30µ"	1470250-3
W/	TRAY	BLACK	3.18	DETAIL E	15µ"	1470250-2
W/	TRAY	BLACK	3.18	DETAIL E	G/F	1470250-1

DIMENSION :	DWN	A. WU	14-AUG-2002	AMP TYCO HOLDINGS (BERMUDA) VII LTD. TAIWAN BRANCH
0 PLC ±	CHK	J. CHENG	14-AUG-2002	
1 PLC ±0.3	MATERIAL			RECEPTACLE ASSY, SIZE 1, 15 POSITION, RIGHT ANGLE, THROUGH HOLE
2 PLC ±0.2	SEE NOTE			
3 PLC ±0.1	FINISH			LOC DW A ₃ DRAWING NO C-1470250 REV B
ANGLES ±2'	SEE NOTE			
PRODUCT SPEC		APVD		SCALE -- SHEET 1 OF 1
SEE NOTE 3.		J. WU 14-AUG-2002		
APPLICATION SPEC		WEIGHT		

B	ADDED PIN NO.	FZ00-0177-02	AW JC	14AUG 2002
A	ADDED -33	FZ00-0070-02	AW JC	19MAR 2002
O	FIRST RELEASED	FZ00-0122-01	AW JC	02NOV 2001
LTR	REVISION RECORD	ECN	DWN CHK	DATE