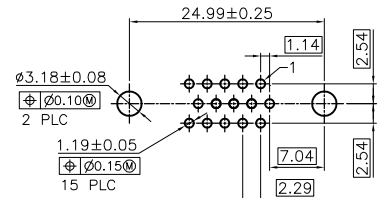
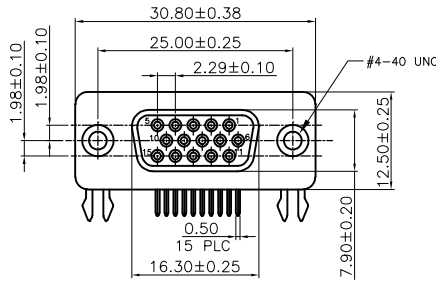


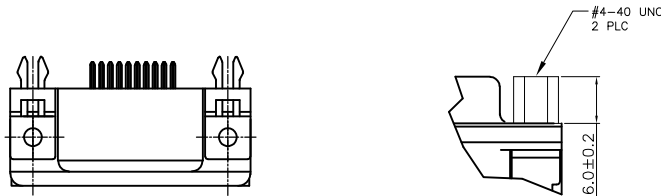
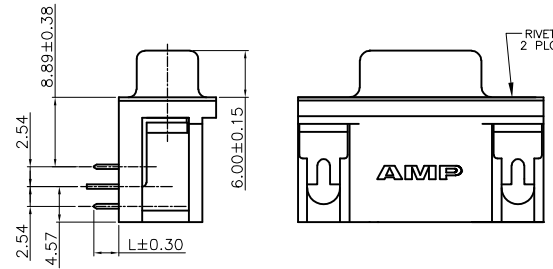
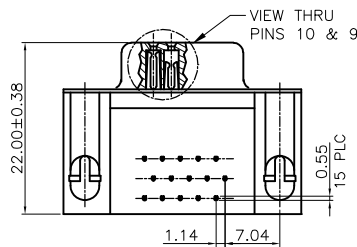
P	LTR	DESCRIPTION	DATE	DWN	APVD
	B1	REVISED PER ECO-11-005301	07MAR11	RK	HMR

NOTES:

- MATERIAL:
 - HOUSING: UL94V-0; COLOR: SEE TABLE.
 ▲: NY9T, THERMOPLASTIC, HIGH TEMP.
 △: PBT, THERMOPLASTIC.
 - CONTACTS: PHOSPHOR BRONZE
 - SHELL: SPCC
 - BOARDLOCK: BRASS
 - RIVET: BRASS
- FINISH:
 - CONTACT:
 - GOLD PLATING ON CONTACT AREA,
 - 100μ" MIN. MATTE TIN PLATING ON SOLDERTAIL,
 - 50μ" MIN. NICKEL UNDERPLATED OVERALL.
 - BOARDLOCK:
 - 100μ" MIN. TIN PLATING
 - 50μ" MIN. NICKEL UNDERPLATED OVERALL.
 - SHELL: 50μ" MIN. NICKEL PLATING OVERALL.
 - RIVET: NICKEL PLATING OVERALL.
- RECOMMENDED PCB THICKNESS: 1.6mm
- WAVE SOLDER CAPABLE TO 265°C PER TE CONNECTIVITY SPEC. 109-202, CONDITION B.



RECOMMENDED P.C. BOARD LAYOUT



DETAIL Z (W/SCREWLOCKS OPTION)

STATUS	DESCRIPTION	QTY	UNIT	PLATING	FINISH	FASTENER	PART NUMBER
OBSOLETE	300U BLUE	3.20	TRAY	10μ"	RIVET, THREADED W/O SCREW		5-1734344-3
OBSOLETE	300U BLUE	3.70	TRAY	30μ"	RIVET, THREADED W/O SCREW		2-1734344-4
OBSOLETE	300U BLUE	3.20	TRAY	30μ"	RIVET, THREADED W/O SCREW		2-1734344-3
OBSOLETE	661C BLUE	2.67	TRAY	30μ"	RIVET, THREADED W/O SCREW		2-1734344-2
OBSOLETE	661C BLUE	2.67	TRAY	G/F	W/FEMALE SCREWLOCKS (DETAIL Z)		1-1734344-2
OBSOLETE	300U BLUE	3.20	TRAY	G/F	W/FEMALE SCREWLOCKS (DETAIL Z)		1-1734344-1
OBSOLETE	BLACK	2.67	TUBE	15μ"	W/FEMALE SCREWLOCKS (DETAIL Z)		1734344-5
OBSOLETE	300U BLUE	3.20	TUBE	10μ"	RIVET, THREADED W/O SCREW		1734344-4
OBSOLETE	300U BLUE	3.20	TRAY	10μ"	RIVET, THREADED W/O SCREW		1734344-3
OBSOLETE	661C BLUE	2.67	TRAY	G/F	RIVET, THREADED W/O SCREW		1734344-2
OBSOLETE	300U BLUE	3.20	TRAY	G/F	RIVET, THREADED W/O SCREW		1734344-1
	HSG RESIN	PANTONE COLOR	'L'	PACKAGING	GOLD PLATING	FASTENER OPTION	PART NUMBER

THIS DRAWING IS A CONTROLLED DOCUMENT.

DWN: J. LEE 16JAN2006
 CHK: S. HOU 16JAN2006
 APVD: W.J. KE 16JAN2006

TE Connectivity

RCPT ASM, SZ 1, 15 POSN, RT ANG, FRONT METAL, SHELL AMPLIMITE HD-22

108-57541
 501-57623

SIZE: A3 CAGE CODE: 00779 DRAWING NO: C-1734344 RESTRICTED TO: -

CUSTOMER DRAWING SCALE: - SHEET: 1 OF 3 REV: B1

THIS DRAWING IS UNPUBLISHED.

RELEASED FOR PUBLICATION

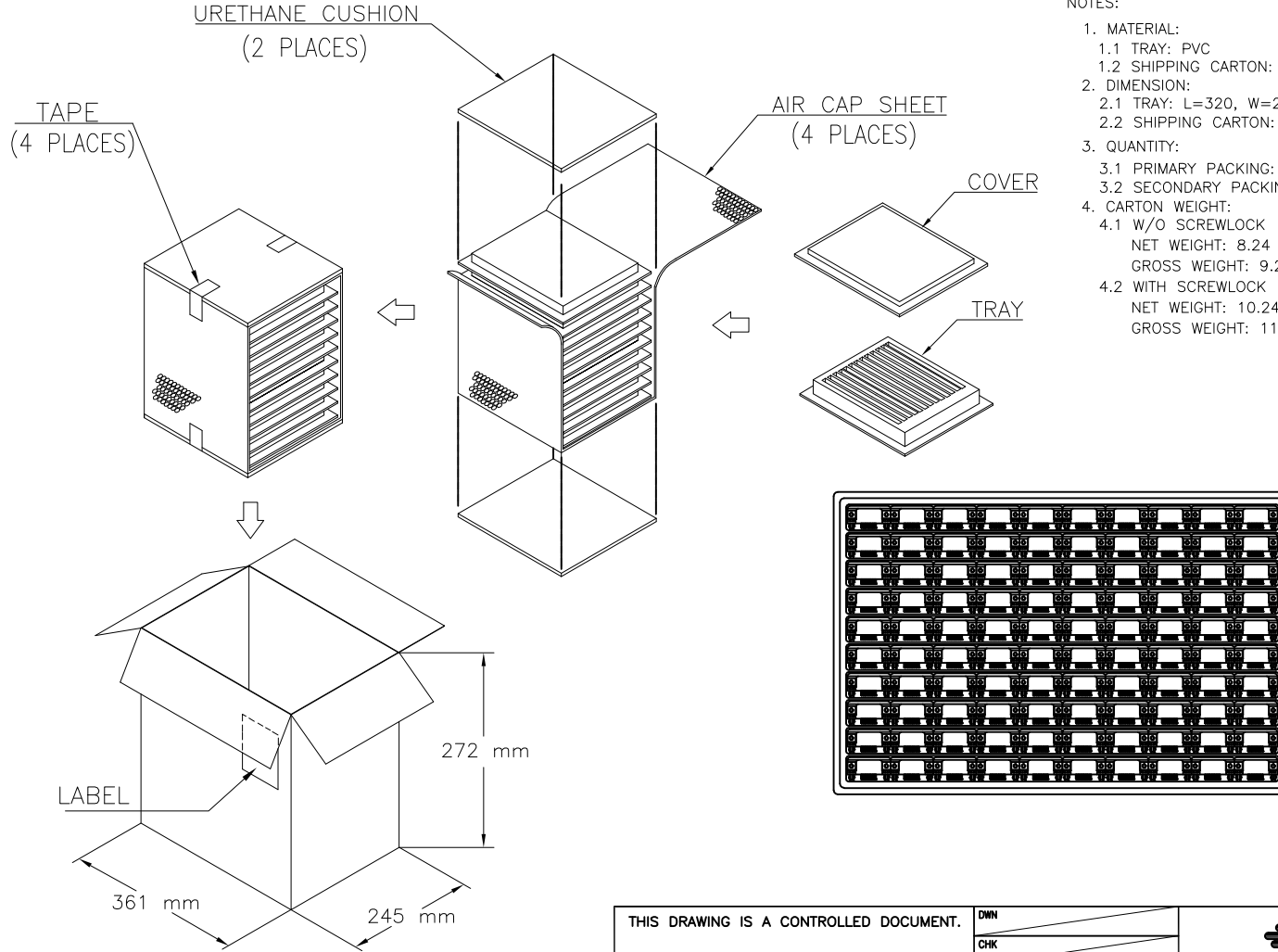
ALL RIGHTS RESERVED.

© COPYRIGHT - BY -

LOC DW DIST

REVISIONS

P	LTR	DESCRIPTION	DATE	DWN	APVD
-	-	SEE SHEET 1.	-	-	-



NOTES:

1. MATERIAL:
 - 1.1 TRAY: PVC
 - 1.2 SHIPPING CARTON: CORRUGATED FIBERBOARD
2. DIMENSION:
 - 2.1 TRAY: L=320, W=230, H=18.9
 - 2.2 SHIPPING CARTON: L=361, W=245, H=272
3. QUANTITY:
 - 3.1 PRIMARY PACKING: 100 PCS/TRAY
 - 3.2 SECONDARY PACKING: 10 TRAY/CARTON(1000PCS)
4. CARTON WEIGHT:
 - 4.1 W/O SCREWLOCK
NET WEIGHT: 8.24 Kg
GROSS WEIGHT: 9.24 Kg
 - 4.2 WITH SCREWLOCK
NET WEIGHT: 10.24 Kg
GROSS WEIGHT: 11.24 Kg

THIS DRAWING IS A CONTROLLED DOCUMENT.

DIMENSIONS:	TOLERANCES UNLESS OTHERWISE SPECIFIED:
MM	
0 PLC	± -
1 PLC	± -
2 PLC	± -
3 PLC	± -
4 PLC	± -
ANGLES	± -
MATERIAL	FINISH



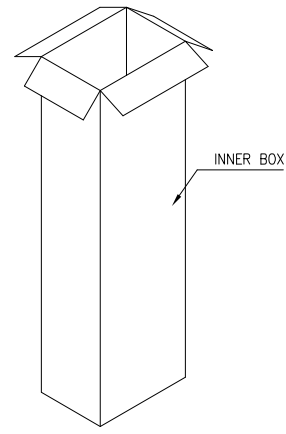
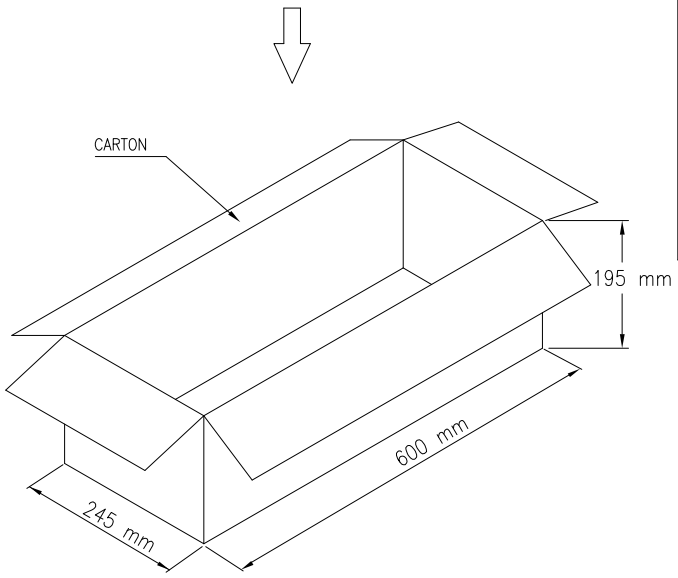
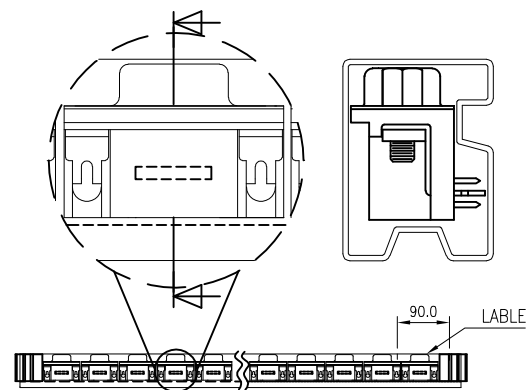
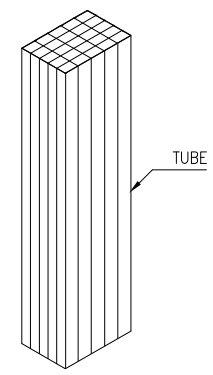
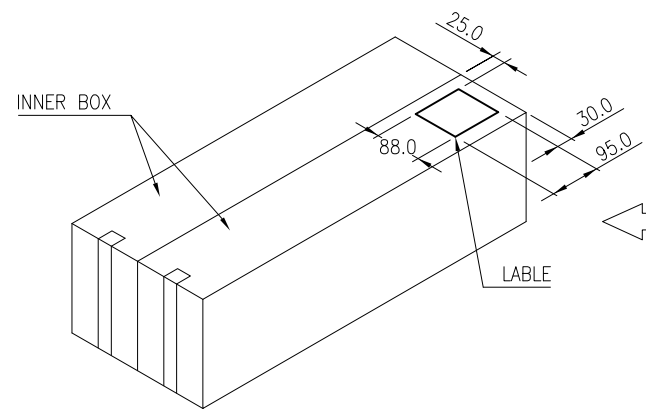
DWN	/
CHK	/
APVD	/
PRODUCT SPEC	-
APPLICATION SPEC	-
WEIGHT	-
CUSTOMER DRAWING	/



NAME				RESTRICTED TO	
RCPT ASM, SZ 1, 15 POSN, RT ANG, FRONT METAL, SHELL AMPLIMITE HD-22				-	
SIZE	CAGE CODE	DRAWING NO	-		
A3	00779	©=1734344	-		
SCALE			SHEET	REV	
-			2 OF 3	B1	

THIS DRAWING IS UNPUBLISHED. RELEASED FOR PUBLICATION
 © COPYRIGHT - BY - ALL RIGHTS RESERVED.

LOC	DIST	REVISIONS			
P	LTR	DESCRIPTION	DATE	DWN	APVD
-	-	SEE SHEET 1.	-	-	-



- NOTES:
- MATERIAL:
 - 1.1 TRAY: PVC
 - 1.2 SHIPPING CARTON: CORRUGATED FIBERBOARD
 - DIMENSION:
 - 2.1 TRAY: L=560, W=17.8, H=27.4
 - 2.2 SHIPPING CARTON: L=600, W=245, H=195
 - QUANTITY:
 - 3.1 PRIMARY PACKING: 17 PCS/TUBE
 - 3.2 SECONDARY PACKING: 25 TUPE/BOX
 - 3.3 THIRD PACKING: 2 BOX/CARTON(850PCS)
 - CARTON WEIGHT:
 - 4.1 W/O SCREWLOCK
NET WEIGHT: 8.24 Kg
GROSS WEIGHT: 9.24 Kg
 - 4.2 WITH SCREWLOCK
NET WEIGHT: 10 Kg
GROSS WEIGHT: 11 Kg

THIS DRAWING IS A CONTROLLED DOCUMENT.		DWN		STE TE Connectivity	
DIMENSIONS: MM		CHK			
TOLERANCES UNLESS OTHERWISE SPECIFIED:		APVD		NAME	
0 PLC ±		PRODUCT SPEC		RCPT ASM, SZ 1, 15 POSN, RT ANG, FRONT METAL, SHELL AMPLIMITE HD-22	
1 PLC ±		APPLICATION SPEC		SIZE	
2 PLC ±		WEIGHT		CAGE CODE	
3 PLC ±		CUSTOMER DRAWING		DRAWING NO	
4 PLC ±		SCALE		RESTRICTED TO	
ANGLES ±		SHEET		A3 00779 C-1734344	
FINISH		3 of 3		REV B1	