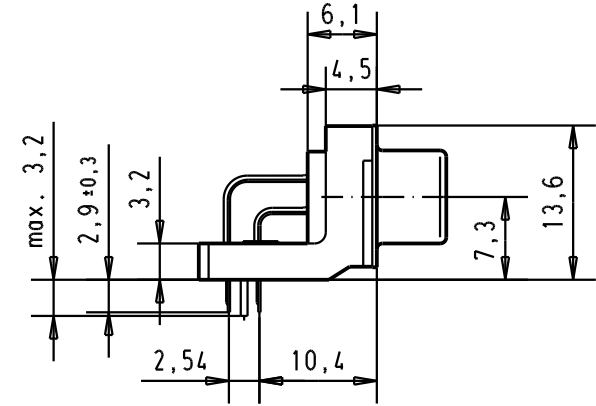
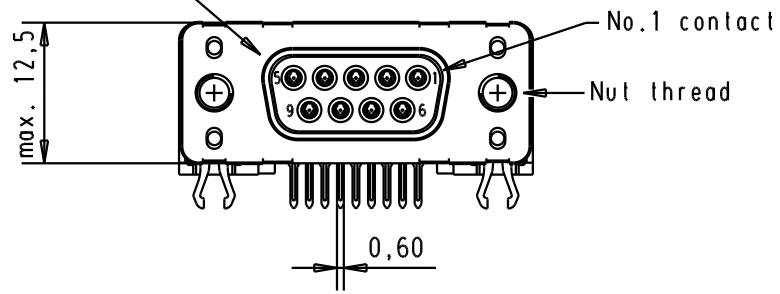
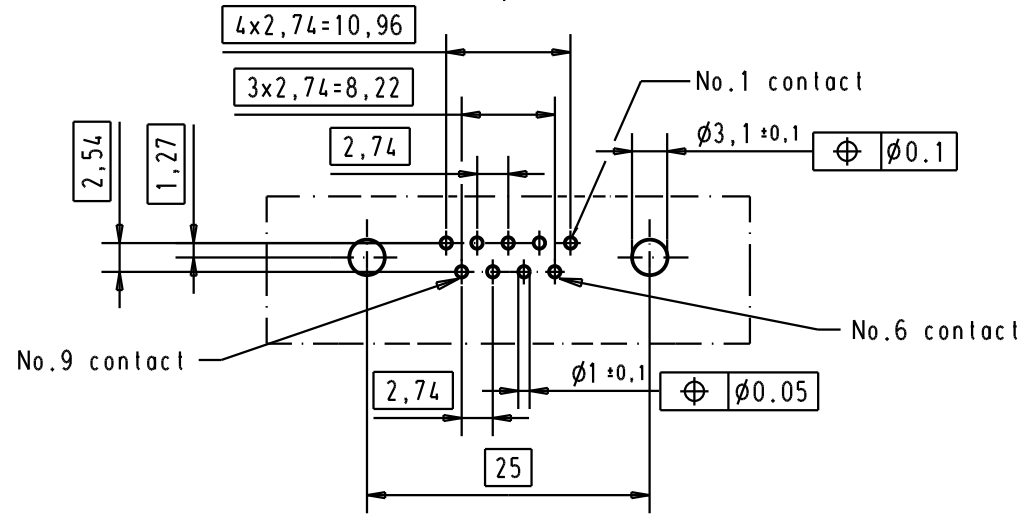
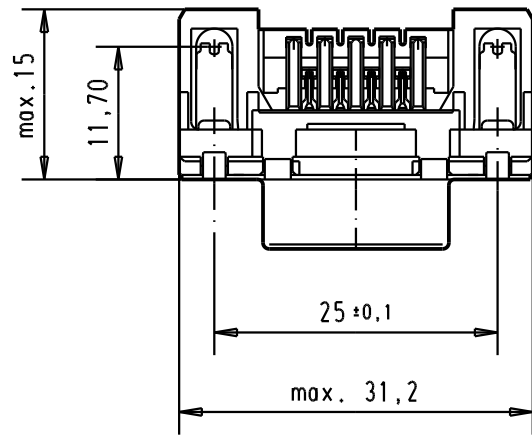


5 4 3 2 1



Mating face according to : MIL-C-24308 / DIN 41652 / CECC 75301-802



Printed board layout component side



Connector retention and insertion forces on the PCB = 25 / 80 newtons

A	09 66 156 3611	M 3	1							 <p>All Dim. in mm Orig. Size DIN A 4</p>	D-Sub, high temperature, female, standard, 9 poles with solder pins 2.9, nuts and grounding board lock.	Maßstab/ Scale 1.5:1
	09 66 156 6611	M 3	2				Detail.	18/jan/00	jfb			
	09 66 156 7611	M 3	3				Insp.					
	09 66 156 3612	4-40 UNC	1	31892	05/05/04	JH	Stand.					
	09 66 156 6612	4-40 UNC	2	29723	05-MAR-02	CV	HARTING EURL F-95972 Paris					
09 66 156 7612	4-40 UNC	3	27969	18/jan/01	jfb							
Part number	Nut thread	Performance level	Mod.	Dat.	Name				Sub.			TB 0966156x61x 5