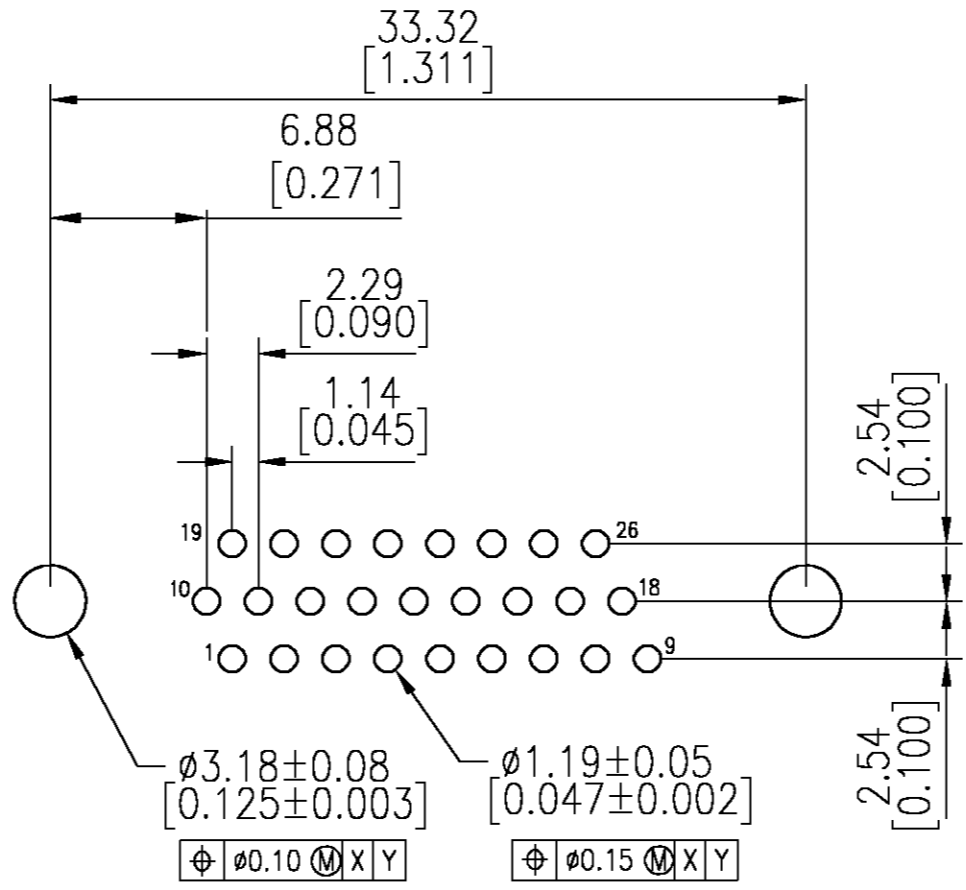
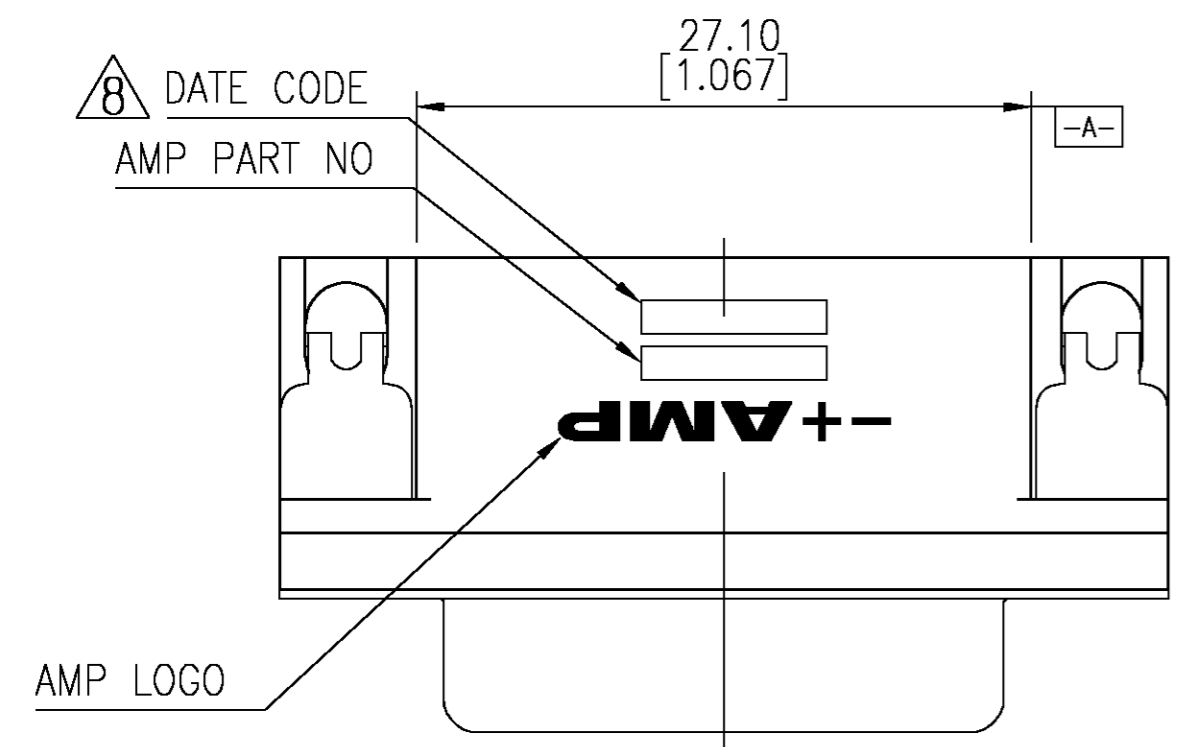


THIS DRAWING IS UNPUBLISHED. RELEASED FOR PUBLICATION
 © COPYRIGHT BY TYCO ELECTRONICS CORPORATION. ALL RIGHTS RESERVED.

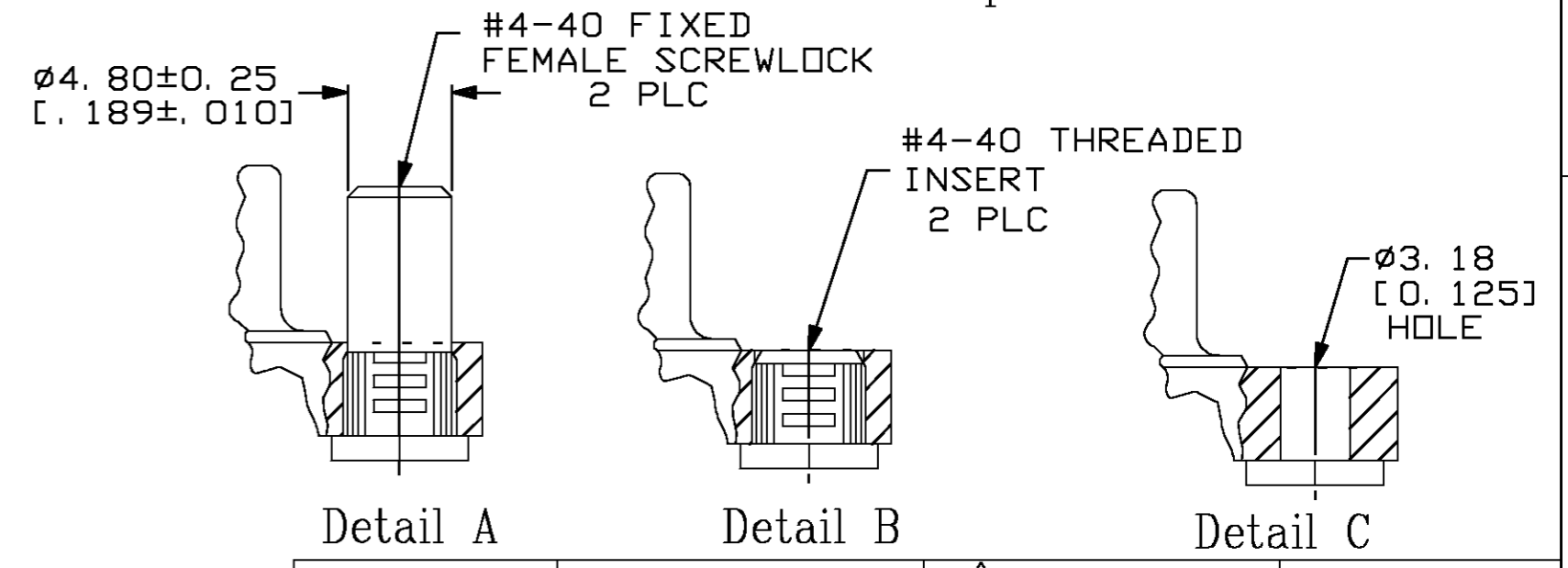
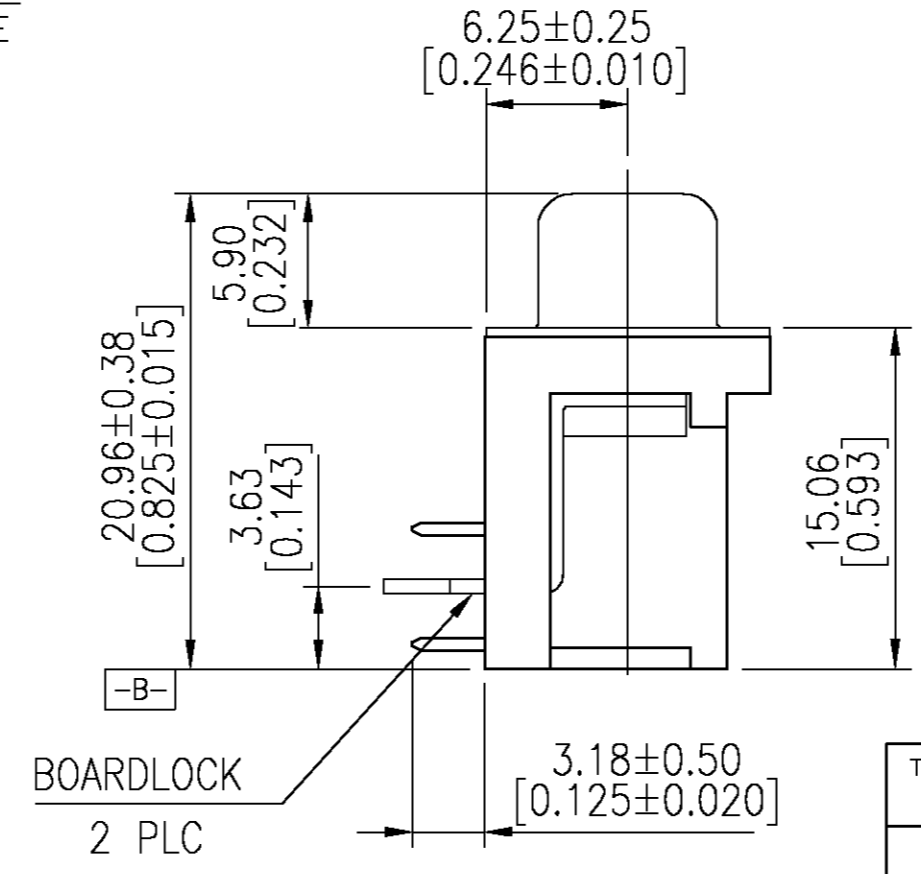
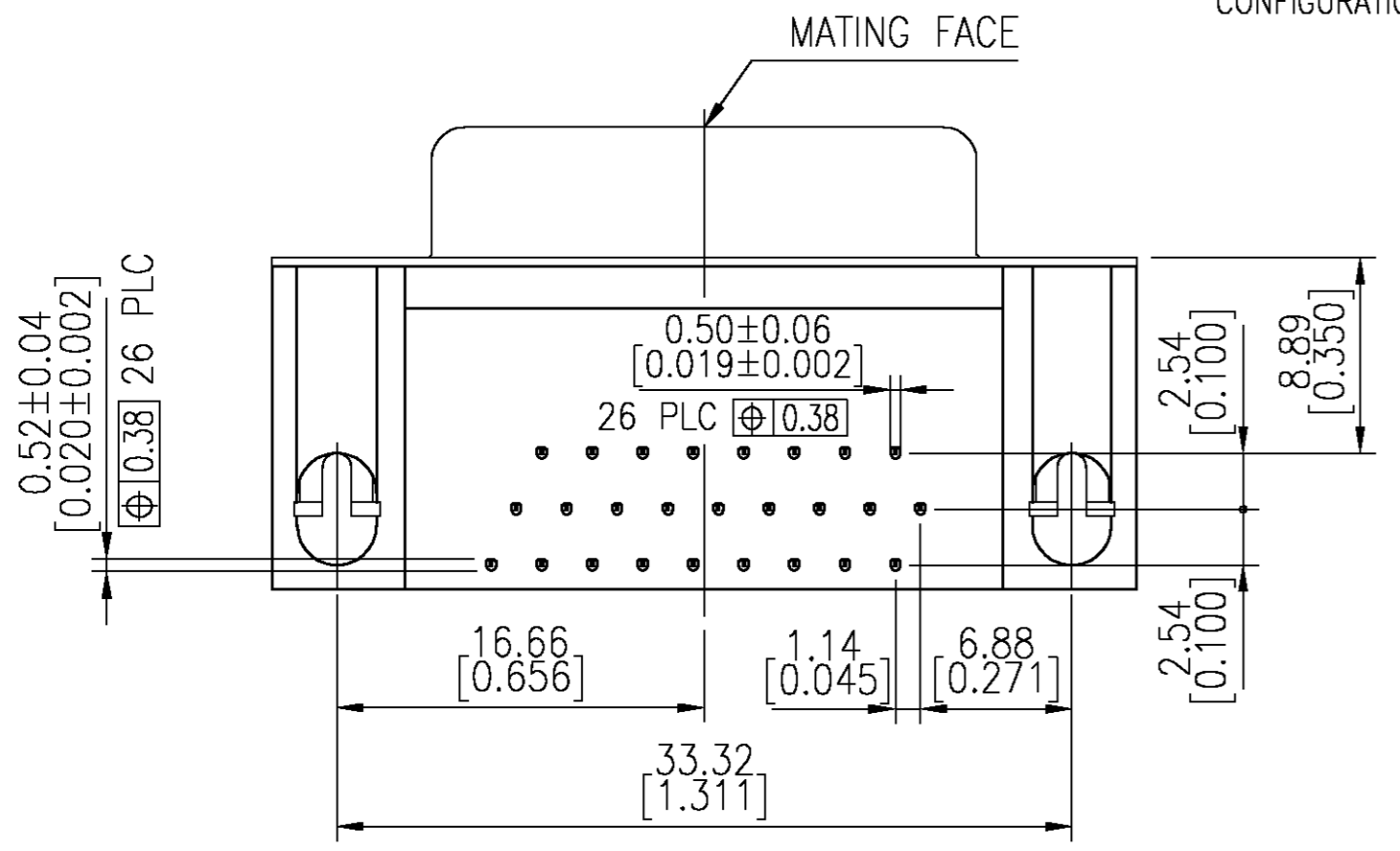
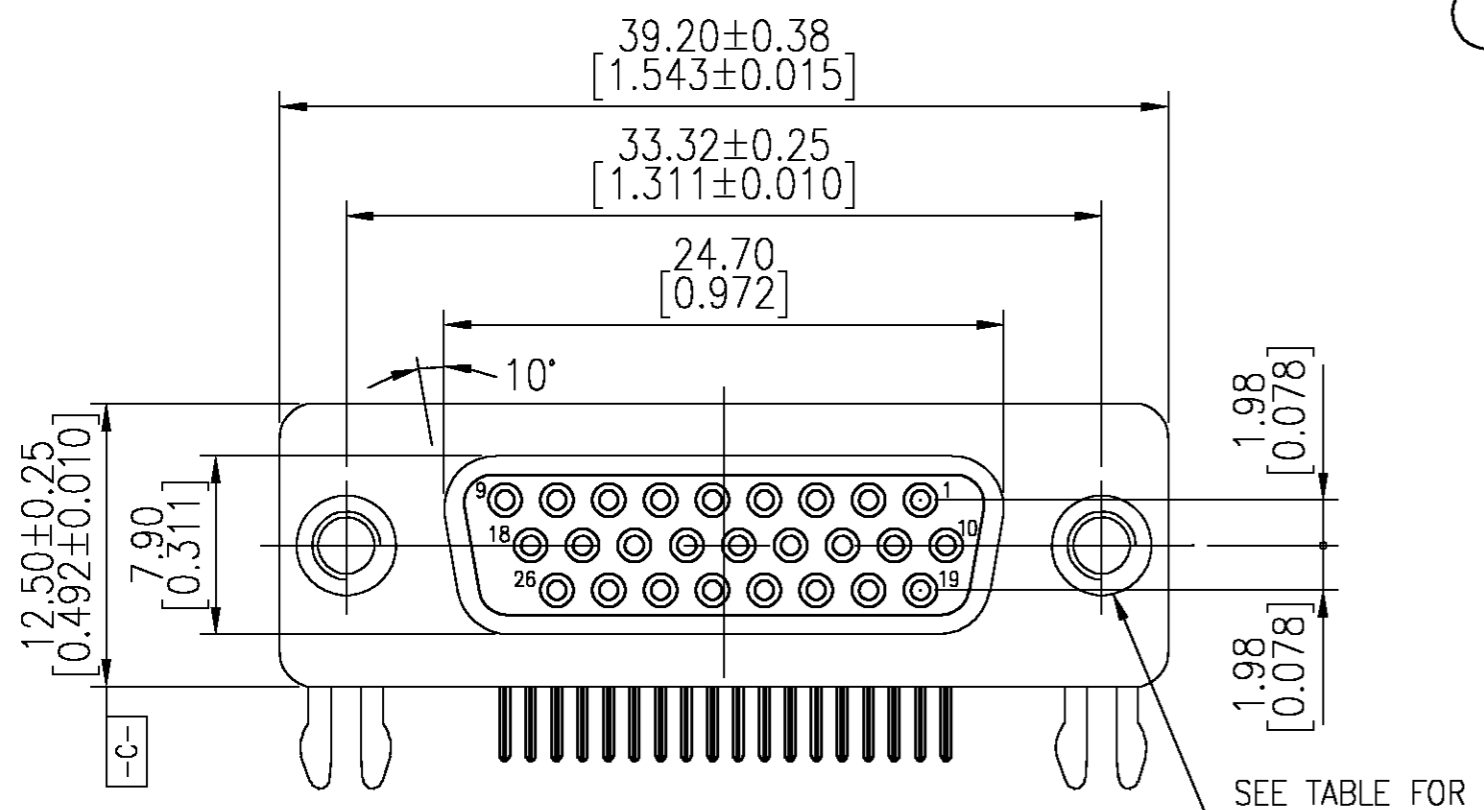
LOC		DIST		REVISIONS			
GP	00	P	LTR	DESCRIPTION	DATE	DWN	APVD
		AB		REVISED PER EC OS13-0175-03	05JUN03	JG	CC

MATERIAL:

- Housing: PBT , 30 % G.F polyester, Black.
(UL 94V-0 Rated)
- Contact: Phos. Bronze.
- Contact Plated: Gold Plated over 50u"
Nickel underplated.
- Solder Tail: Tin/Lead Plated 120u" over 50u"
Nickel underplated.
- Shell: Steel, Nickel Plated.
- Boardlock: Brass, Tin Plated 100u"
- Female Screwlock: Brass, Nickel plated 30u" Min.
- Four digit date code in this format.
Year 01 45 Manufacturing Week
- Solder Tail: Tin Plated 120u" over 50u"
Nickel underplated.



RECOMMENDED PCB LAYOUT



Tray	Detail	Finish	Part No
Tray	Detail B	30 μ"	6-748481-7
Tray	Detail C	Gold flash	2-748481-7
Tray	Detail C	15 μ"	2-748481-6
Tray	Detail A	Gold flash	2-748481-5
Tray	Detail A	15 μ"	2-748481-4
Tray	Detail B	Gold flash	2-748481-3
Tray	Detail B	15 μ"	2-748481-2
Tray	Detail C	30 μ"	1-748481-9
Tray	Detail A	30 μ"	748481-6
Tray	Detail B	30 μ"	748481-5
Packaging	Mounting Flange	Contact Finish	AMP Part NO

THIS DRAWING IS A CONTROLLED DOCUMENT.

DWN	J.BURWELL	20JUNE02		Tyco Electronics Corporation
CHK	C.CASH	20JUNE02		City, State, Zip
APVD	-	-	NAME	AMPLIMITE HD-22
PRODUCT SPEC	-	-	APPLICATION SPEC	26 POS RECEPTACLE, RIGHT ANGLE
WEIGHT	-	-	SIZE	A2
CUSTOMER DRAWING	-	-	CAGE CODE	00779
			DRAWING NO	C=748481
			RESTRICTED TO	-
			SCALE	1:1
			SHEET	1 OF 1
			REV	AB