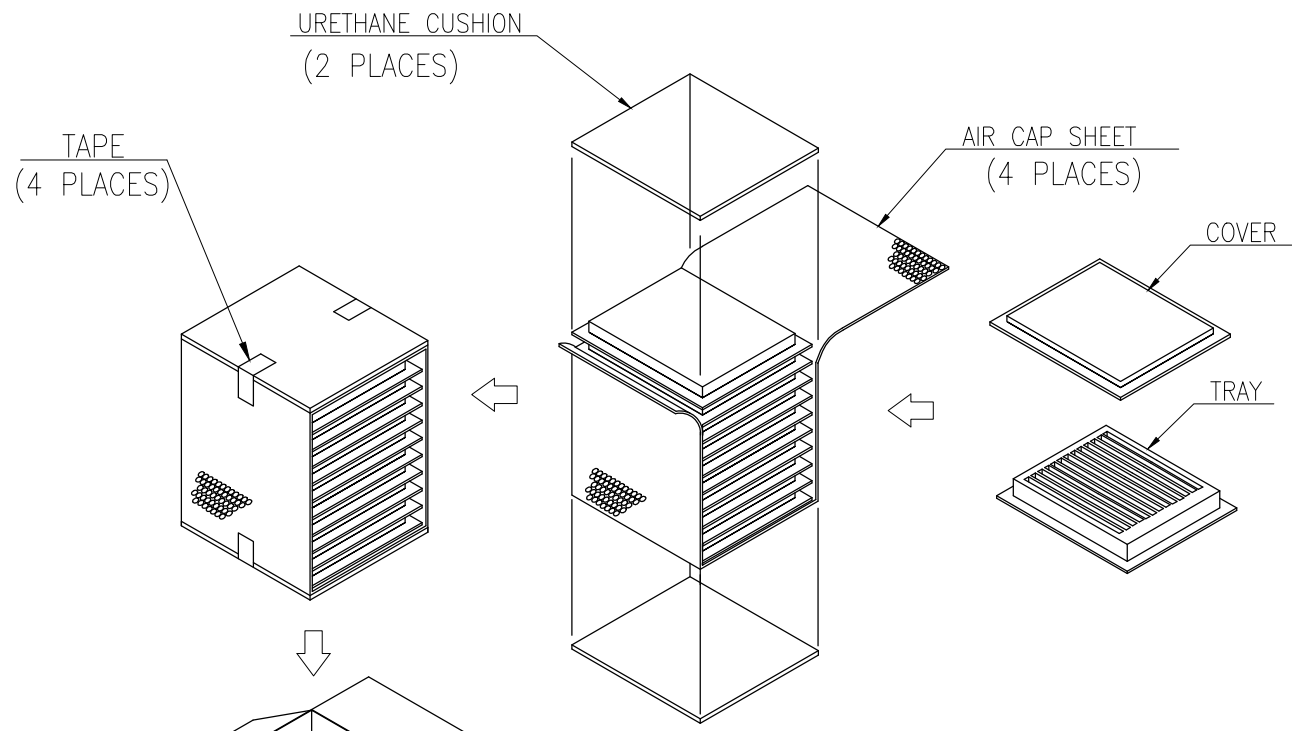




THIS DRAWING IS UNPUBLISHED. RELEASED FOR PUBLICATION  
 © COPYRIGHT - BY - ALL RIGHTS RESERVED.

LOC	DIST	REVISIONS					
DW		P	LTR	DESCRIPTION	DATE	DWN	APVD
		SEE SHEET 1.					



TAPE  
(4 PLACES)

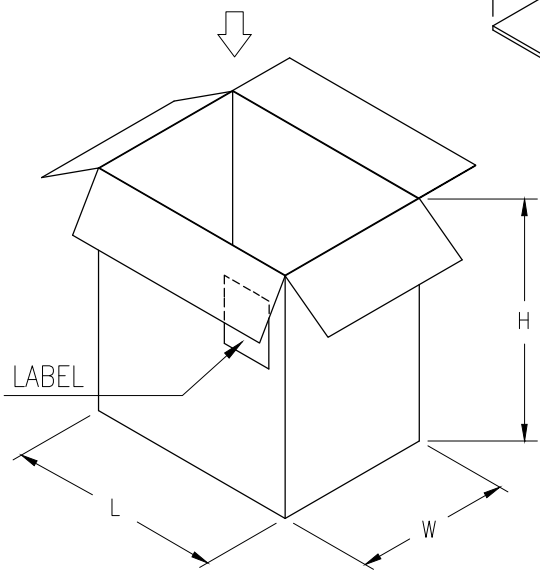
URETHANE CUSHION  
(2 PLACES)

AIR CAP SHEET  
(4 PLACES)

COVER

TRAY

- NOTES:
- MATERIAL:
    - TRAY: PVC
    - SHIPPING CARTON: CORRUGATED FIBERBOARD
  - DIMENSION:
    - TRAY: L=320, W=230, H=18.9
    - SHIPPING CARTON: L=361, W=245, H=272
  - QUANTITY:
    - PRIMARY PACKING: 100 PCS/TRAY
    - SECONDARY PACKING: 10 TRAY/CARTON(1000PCS)
  - CARTON WEIGHT:
    - NET WEIGHT: 10.24 Kg (W/SCREWLOCK)
    - GROSS WEIGHT: 11.24 Kg (W/SCREWLOCK)
    - NET WEIGHT: 8.24 Kg (W/O SCREWLOCK)
    - GROSS WEIGHT: 9.24 Kg (W/O SCREWLOCK)



THIS DRAWING IS A CONTROLLED DOCUMENT.		DWN			
DIMENSIONS: MM		CHK			
TOLERANCES UNLESS OTHERWISE SPECIFIED:		APVD	NAME		
0 PLC ± -		PRODUCT SPEC		RECEPTACLE ASSY, SIZE 1, 15 POSITION, RIGHT ANGLE, THROUGH HOLE	
1 PLC ± -		APPLICATION SPEC		SIZE	RESTRICTED TO
2 PLC ± -		WEIGHT		A3	
3 PLC ± -		CUSTOMER DRAWING		CAGE CODE	DRAWING NO
4 PLC ± -				00779	C=1734530
ANGLES ± -				SCALE	
MATERIAL				SHEET 2 of 4	
FINISH				REV B3	

4

3

2

1

THIS DRAWING IS UNPUBLISHED.      RELEASED FOR PUBLICATION      - , - .  
 © COPYRIGHT - BY -      ALL RIGHTS RESERVED.

LOC DW	DIST	REVISIONS			DATE	DWN	APVD
P	LTR	DESCRIPTION	DATE	DWN	APVD		
		SEE SHEET 1.					

D

D

C

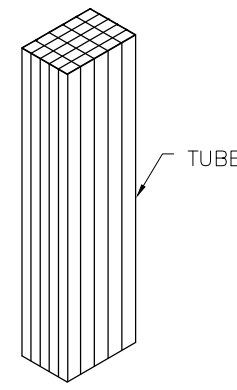
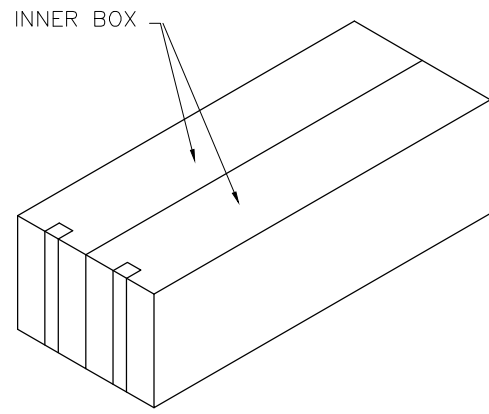
C

B

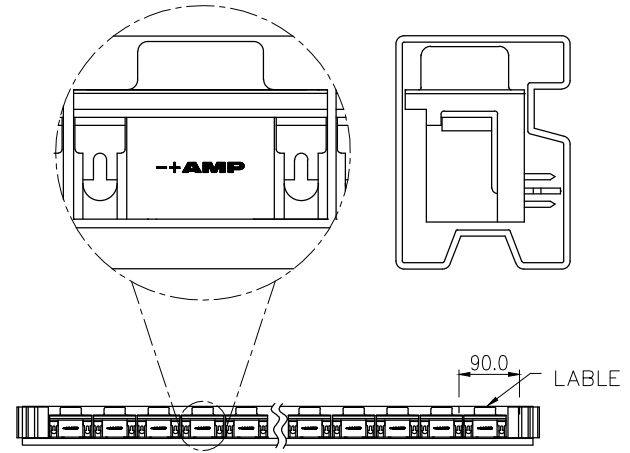
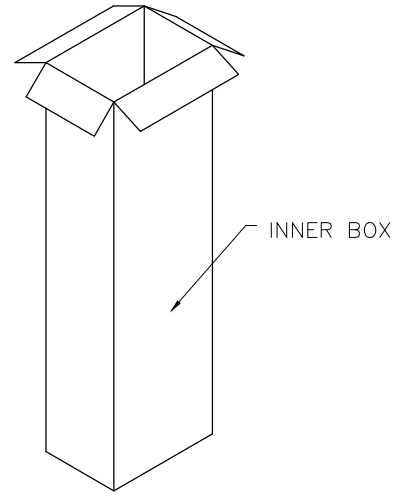
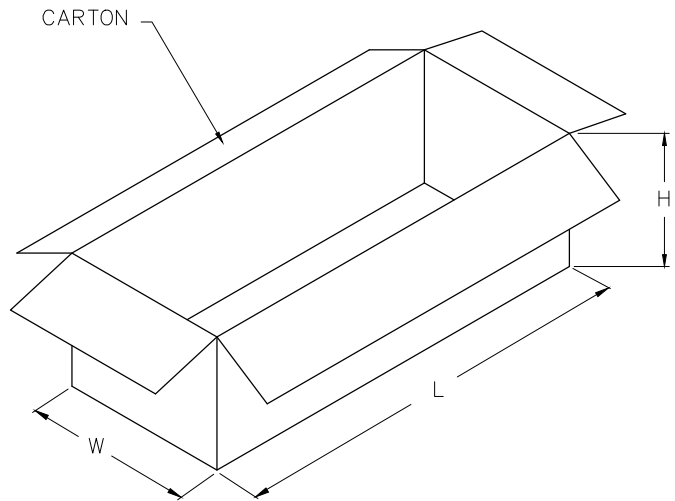
B

A

A



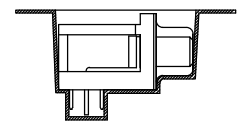
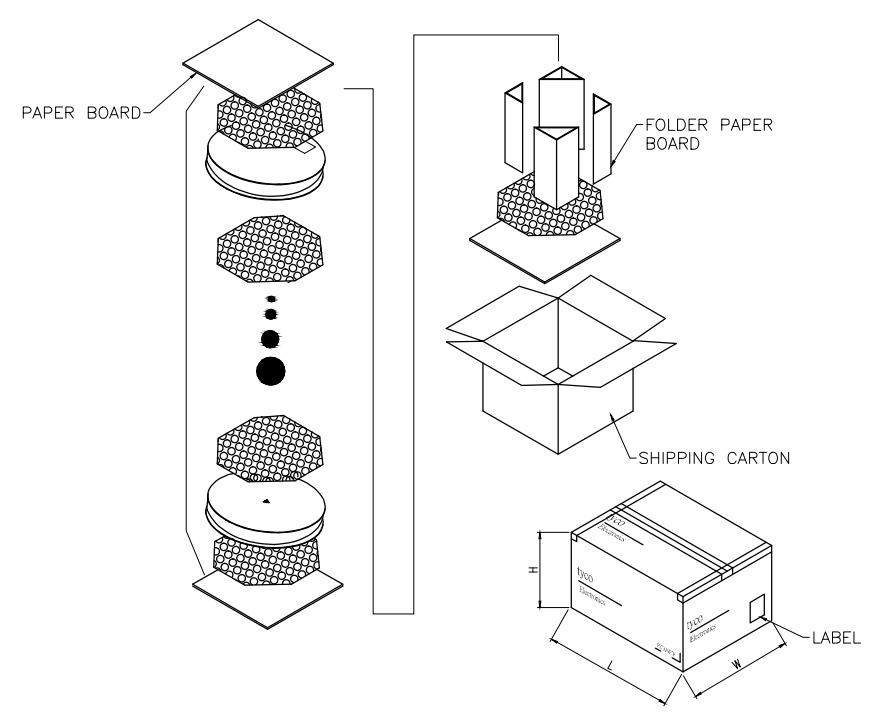
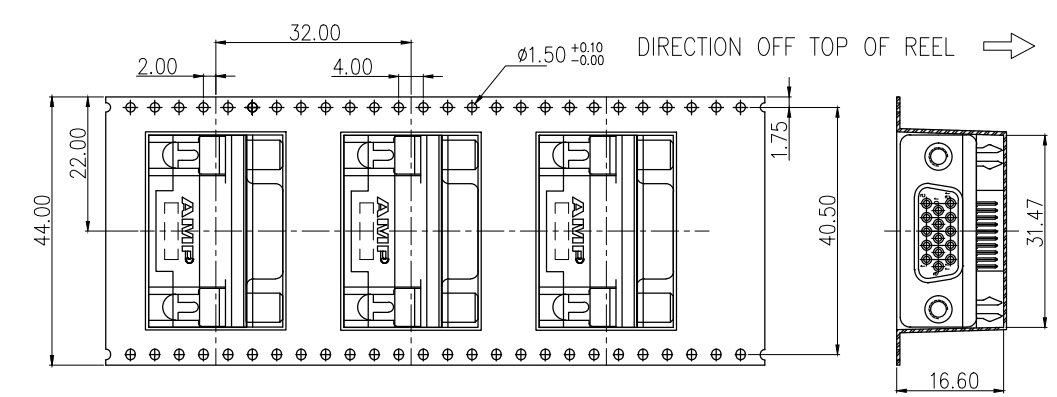
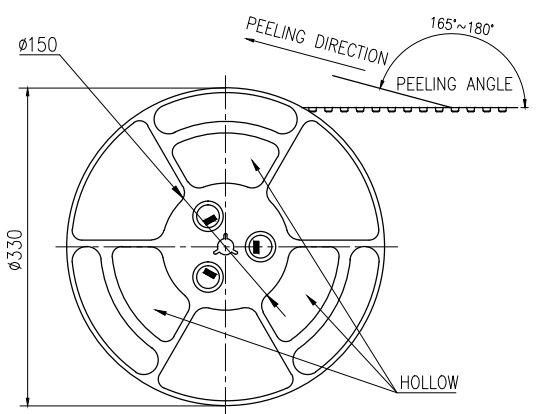
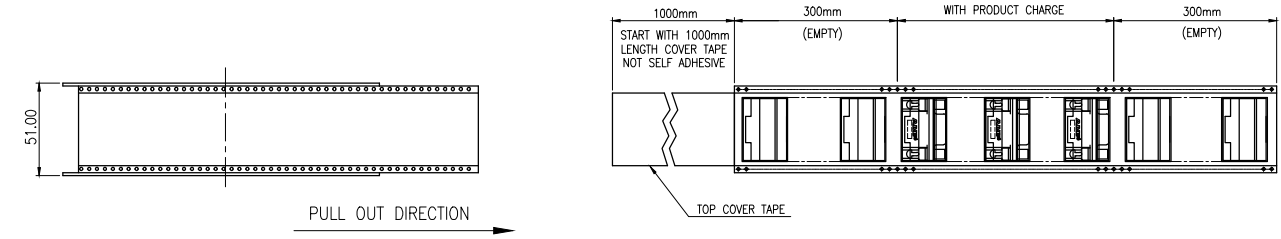
- NOTES:
- MATERIAL:
    - TUBE: PVC
    - SHIPPING CARTON: CORRUGATED FIBERBOARD
  - DIMENSION:
    - TUBE: L=560, W=17.8, H=27.4
    - SHIPPING CARTON: L=600, W=245, H=195
  - QUANTITY:
    - PRIMARY PACKING: 17 PCS/TUBE
    - SECONDARY PACKING: 25 TUBE/BOX
    - THIRD PACKING: 2 BOX/CARTON(850PCS)
  - CARTON WEIGHT:
    - NET WEIGHT: 8.7 Kg (W/O SCREWLOCK)
    - GROSS WEIGHT: 9.7 Kg (W/O SCREWLOCK)



THIS DRAWING IS A CONTROLLED DOCUMENT.		DWN			
DIMENSIONS: MM		CHK	NAME		
TOLERANCES UNLESS OTHERWISE SPECIFIED:		APVD	RECEPTACLE ASSY, SIZE 1, 15 POSITION, RIGHT ANGLE, THROUGH HOLE		
0 PLC ± -		PRODUCT SPEC	SIZE	CAGE CODE	DRAWING NO
1 PLC ± -		APPLICATION SPEC	A3	00779	C=1734530
2 PLC ± -		WEIGHT	RESTRICTED TO		
3 PLC ± -		CUSTOMER DRAWING	SCALE		
4 PLC ± -			SHEET 3 of 4		
ANGLES ± -			REV B3		
MATERIAL	FINISH				

THIS DRAWING IS UNPUBLISHED. RELEASED FOR PUBLICATION ALL RIGHTS RESERVED. COPYRIGHT BY

LOC	DIST	REVISIONS					
DW		P	LTR	DESCRIPTION	DATE	DWN	APVD
		SEE SHEET 1.					



PRODUCT TYPE	PCS/REEL	REEL/CARTON	TOTAL(PCS)	CTN SIZE (CM)	NW(Kg)	GW(Kg)
D-SUB H/D 15P	100	6	600	360X360X350	5.4	5.9

THIS DRAWING IS A CONTROLLED DOCUMENT.

DIMENSIONS: MM	TOLERANCES UNLESS OTHERWISE SPECIFIED:	DWN	TE Connectivity				
0 PLC ± - 1 PLC ± - 2 PLC ± - 3 PLC ± - 4 PLC ± - ANGLES ± -		CHK	RECEPTACLE ASSY, SIZE 1, 15 POSITION, RIGHT ANGLE, THROUGH HOLE				
MATERIAL	FINISH	APVD	NAME	SIZE	CAGE CODE	DRAWING NO	RESTRICTED TO
		PRODUCT SPEC		A3	00779	C=1734530	
		APPLICATION SPEC		CUSTOMER DRAWING			SCALE
		WEIGHT		SHEET 4 of 4			REV B3