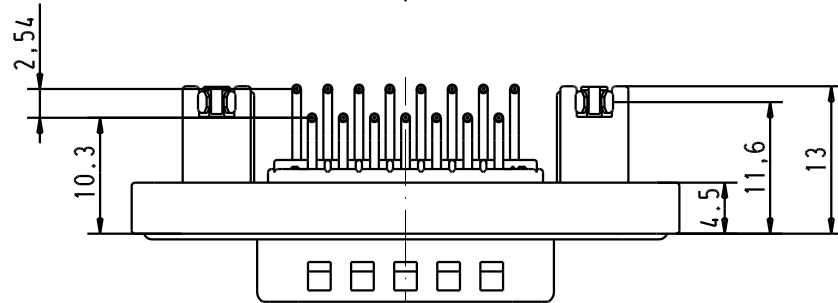
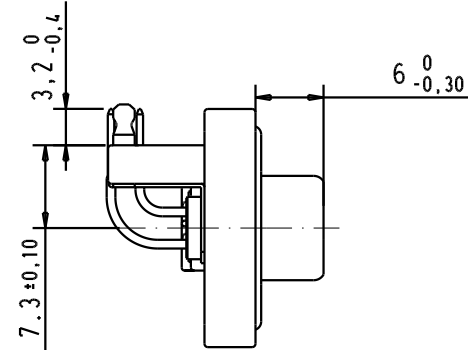
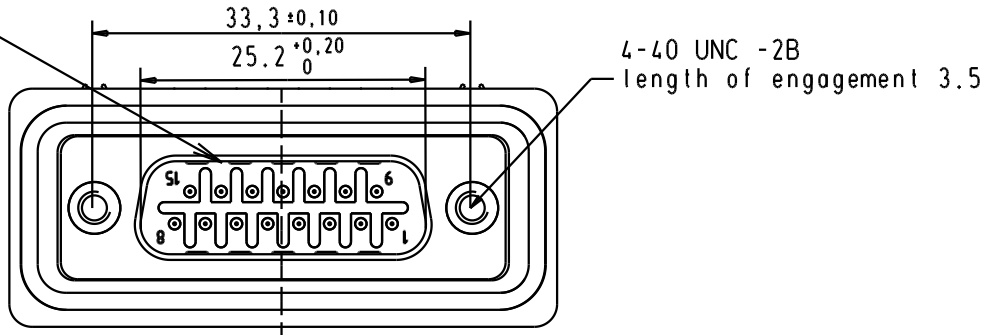


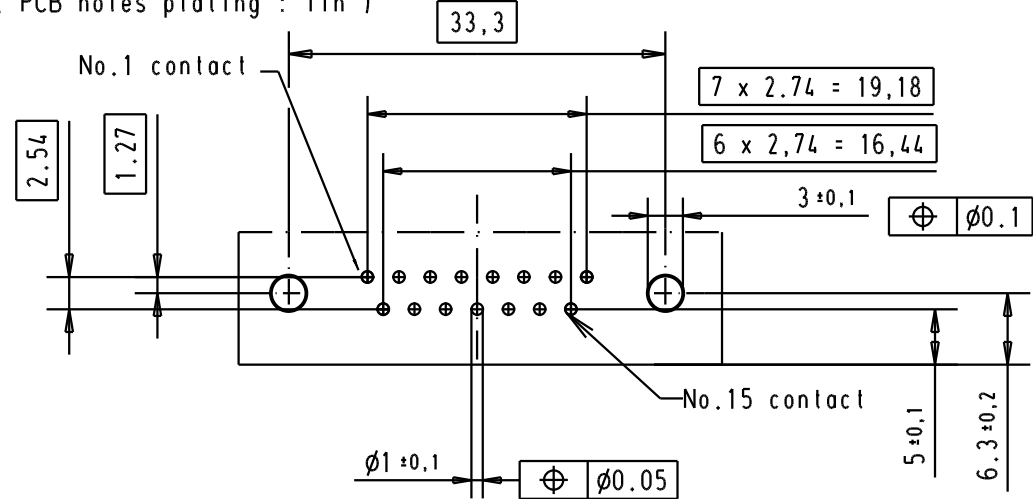
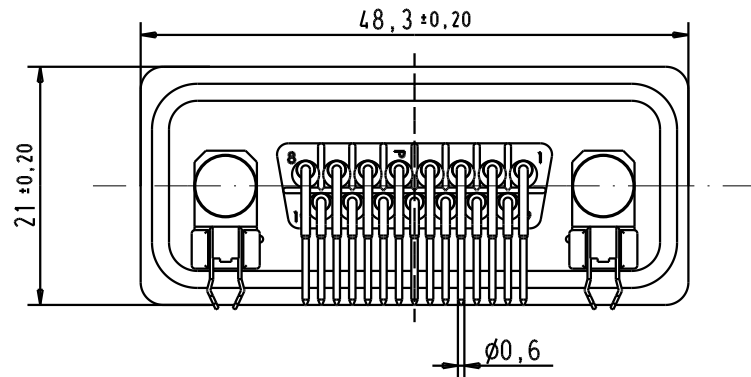
5 4 3 2 1

Mating face according to : MIL-C-24308 / DIN 41652 / CECC 75.01-802



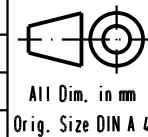
1) Protection standard IP 67 according to IEC 529 / DIN 40050.

PCB layout hole component side  
( PCB holes plating : Tin )



09 67 515 7658 Au plating 0,76 µm mini

	Dat.	Name
Detail.	20/01/04	S.H.
Insp.		
Stand.		



D-SUB IP67 male 15 Poles angled solder pin with bracket and clip for 1.6mm PCB 4-40 UNC nut

Moßstab/Scale

31587	20/01/04	S.H.
Mod.	Dat.	Name

HARTING ELEKTRONIK F-95972 Paris



TB 09 67 515 7658

Blatt/ Page

Part Number

Performance Level

Sub.

D

C

B

A