

5

4

3

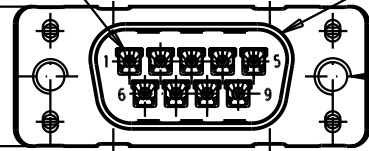
2

1

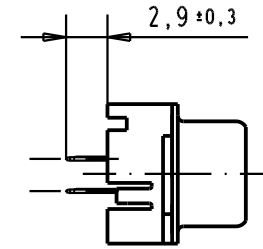
Mating face according to : MIL-C-24308 / DIN 41652 / CECC 75301-802

No. 1 contact

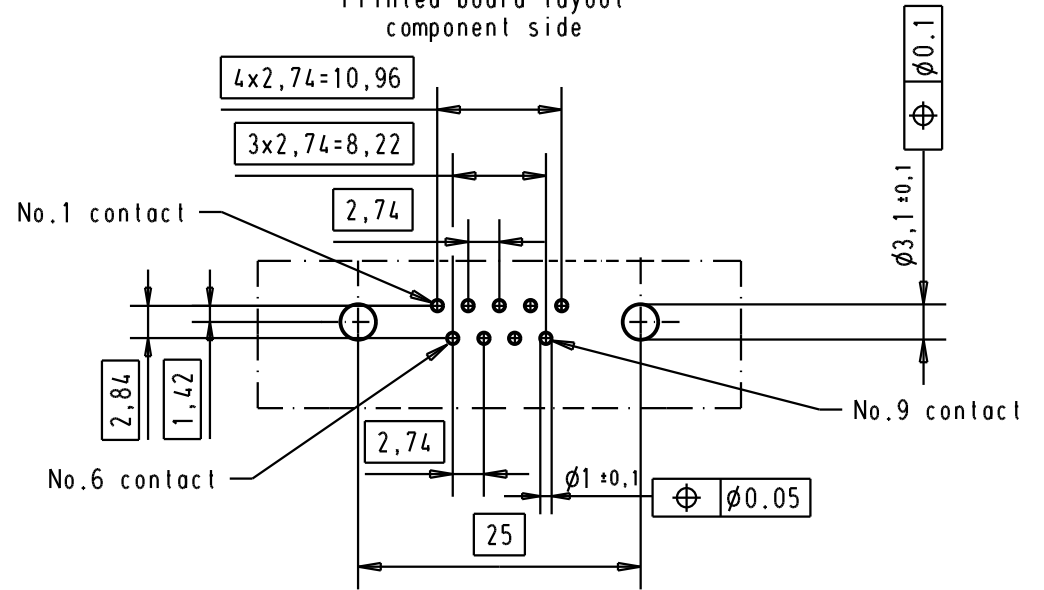
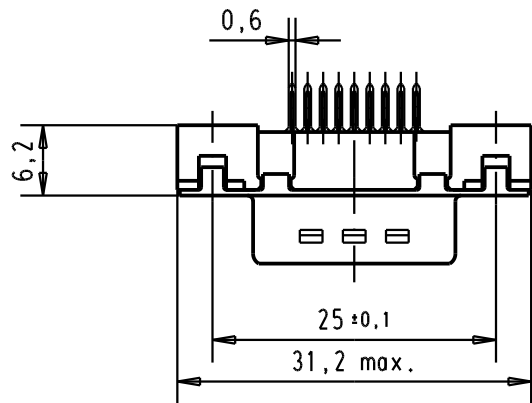
12,5 max.



nut thread



Printed board layout component side



D

C

B

A

09 65 129 3701	M3	1									
09 65 129 6701	M3	2									
09 65 129 7701	M3	3									
09 65 129 3702	4-40 UNC	1									
09 65 129 6702	4-40 UNC	2	31892	22/04/04	JH						
09 65 129 7702	4-40 UNC	3	29723	05-MAR-02	CV						
Part number	Nut thread	Performance level	Mod.	Dat.	Name						

	Dat.	Name
Detail.	05-MAR-02	CV
Insp.		
Stand.		
HARTING EURL F-95972 Paris		

All Dim. in mm
Orig. Size DIN A 4

D-Sub, High temperature,
9 poles, male, straight,
with solder pins 2,9
and nuts.

TB 09 65 129 X70X

Sub.

Maßstab/
Scale
1,5:1

Blatt/ Page
2