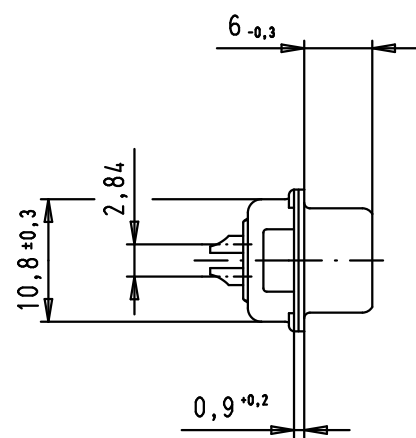
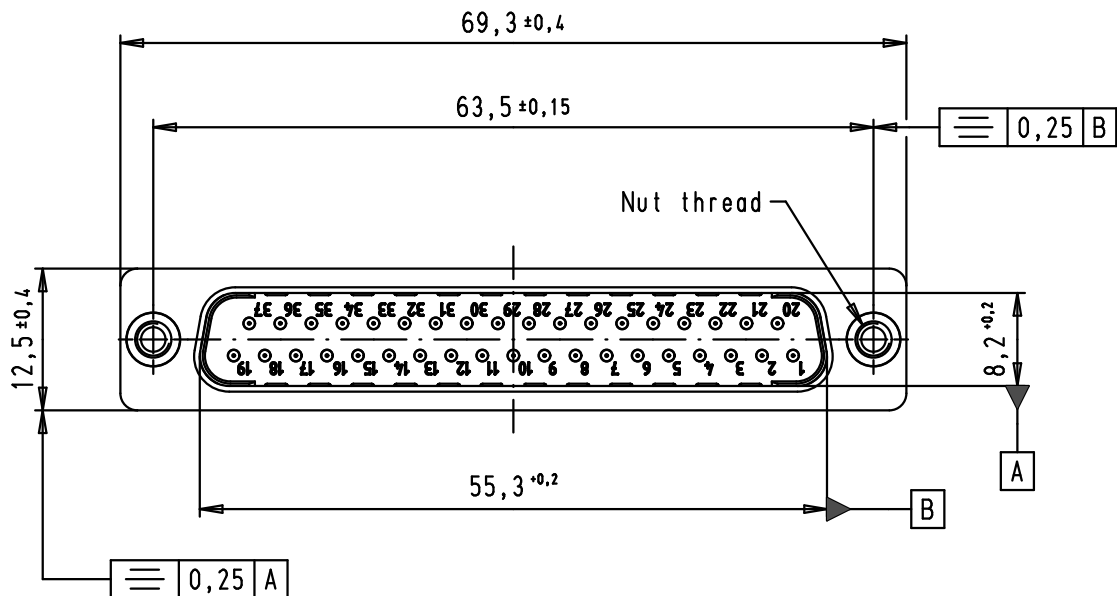


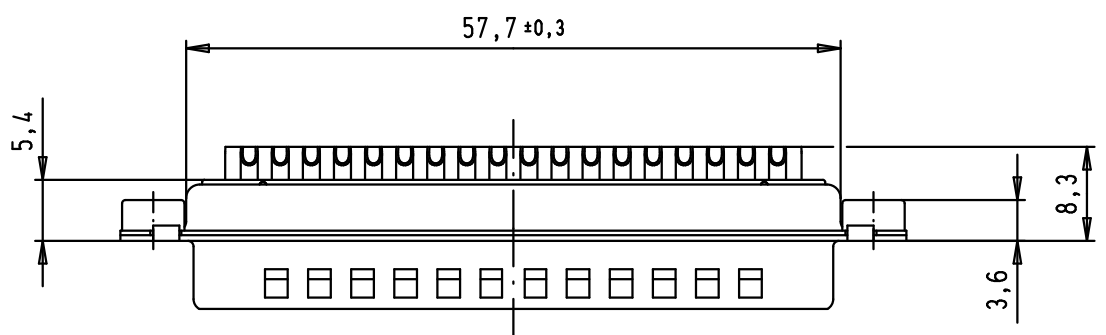
5 4 3 2 1



SPECIFICATIONS

Mating cycles	500
Filter type	C
Capacitance	1000 pF±20%
Working voltage	100 V
Current rating	7,5 A
Insulation resistance	>1 GΩ

FREQUENCY (MHz)	ATTENUATION (dB)
5	1
10	3
50	12
100	20
500	34
1000	30



Solder buckets for AWG 20

09 64 421 7238	M3
09 64 421 7237	4-40 UNC-2B
Part number	Nut thread

Mod.	Dot.	Name	Detail.	Dot.	Name
			08/07/02	CV	
35300	01/12/08	PK	Insp.		
33800	21/08/06	PK	Stand.		
32248	28/10/04	TR			
31058	08/07/02	CV			
HARTING EURL F-95972 Paris					

D-Sub, male, straight, 37 poles, turned solder buckets and clinch nuts	Maßstab/ Scale 1,5:1
TB 09 64 421 723X	Blatt/ Page 1 / 1
Sub.	

A

B

C

D