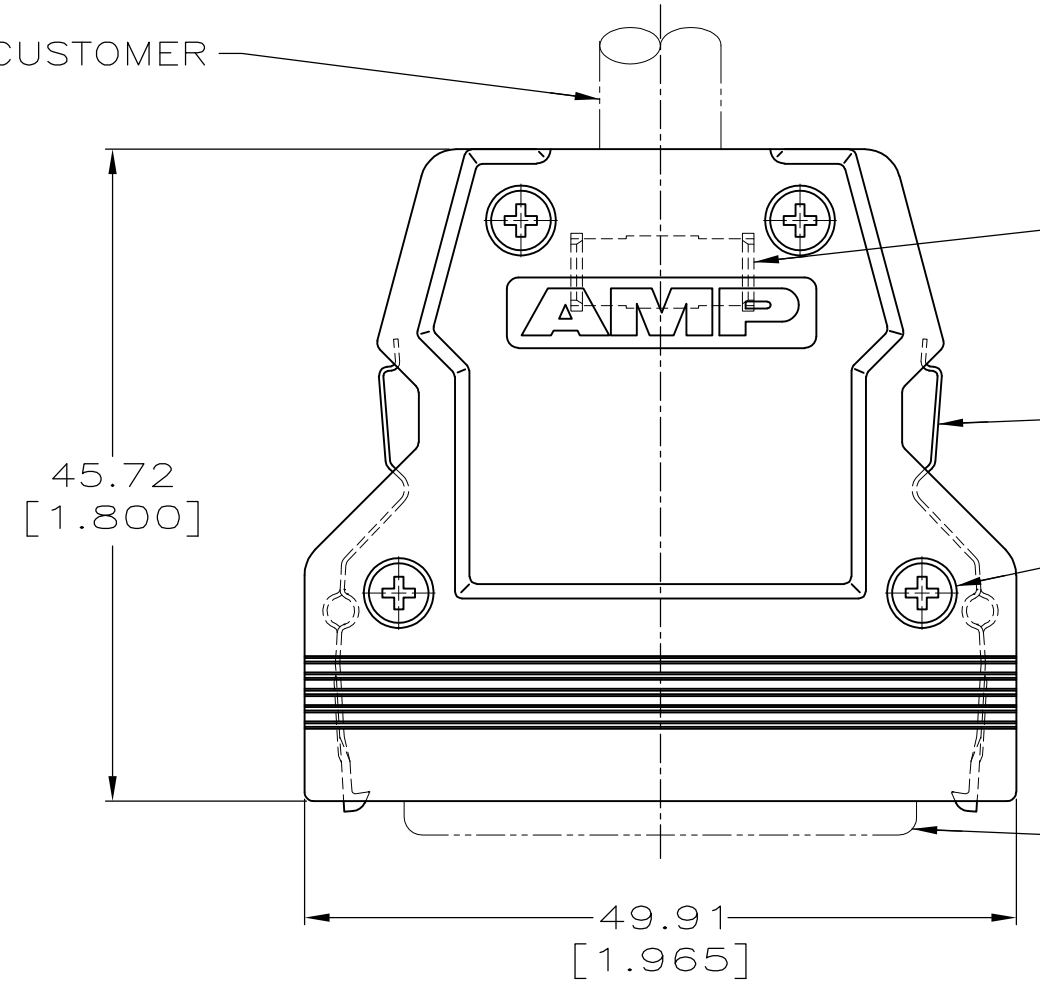


THIS DRAWING IS UNPUBLISHED. RELEASED FOR PUBLICATION
 © COPYRIGHT BY TYCO ELECTRONICS CORPORATION. ALL RIGHTS RESERVED.

LOC	DIST	REVISIONS			
P	LTR	DESCRIPTION	DATE	DWN	APVD
GP	00				
	0	RELEASED PER EC 0513-0287-05	17NOV05	JG	SS
	01	REVISED PER ECO-10-000444	20JAN10	KK	HMR

CABLE SUPPLIED BY CUSTOMER
 Ø.480 MAX



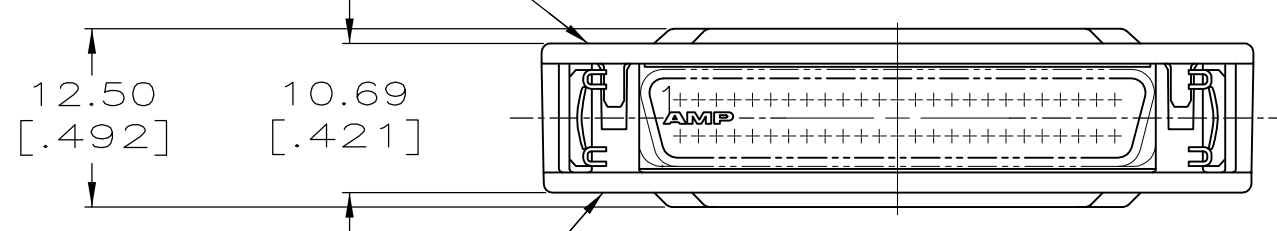
STRAIN RELIEF STAPLE (1 SUPPLIED)
 MATERIAL: STEEL
 FINISH: BRIGHT TIN OVER NICKEL

SPRING LATCH (2 SUPPLIED)
 MATERIAL: STAINLESS STEEL

MACHINE SCREW (4 SUPPLIED)
 #2-56 UNC X.250
 STAINLESS STEEL

CONNECTOR (MUST BE
 PURCHASED SEPARATELY)

UPPER BACKSHELL (1 SUPPLIED)
 MATERIAL: ZINC
 FINISH: NICKEL OVER COPPER



LOWER BACKSHELL (1 SUPPLIED)
 MATERIAL: ZINC
 FINISH: NICKEL OVER COPPER

- 1 PARTS PACKAGED AS A UNIT KIT.
- 2 PARTS INDIVIDUALLY BULK PACKAGED & SHIPPED AS A UNIT PACKAGE.
- 3 OBSOLETE PARTS: OBSOLETE CIS STREAMLINING PER D.RENAUD/D.SINISI

3	OBSOLETE	2	-5749889-4-
		1	5749889-3
	PACKAGING		PART NO

**COPYRIGHT 2005
 TYCO ELECTRONICS CORP
 ALL RIGHTS RESERVED**

THIS DRAWING IS A CONTROLLED DOCUMENT.		DWN J.GERACE 17NOV05	Tyco Electronics Corporation Harrisburg, PA 17105-3608	
DIMENSIONS: mm[INCHES]		CHK S.SHUEY 17NOV05	NAME M.WALMSLEY	
TOLERANCES UNLESS OTHERWISE SPECIFIED:		APVD M.WALMSLEY 17NOV05	PRODUCT SPEC	
0 PLC ± -		APPLICATION SPEC		
1 PLC ± -		WEIGHT		
2 PLC ± 0.38 [.015]		SCALE 2:1 SHEET 1 OF 1 REV 01		
3 PLC ± -		CUSTOMER DRAWING		
4 PLC ± -		RESTRICTED TO		
ANGLES ± ± -		SIZE CAGE CODE DRAWING NO		
FINISH		A2 00779 C-5749889		
SEE CALLOUTS		SEE CALLOUTS		