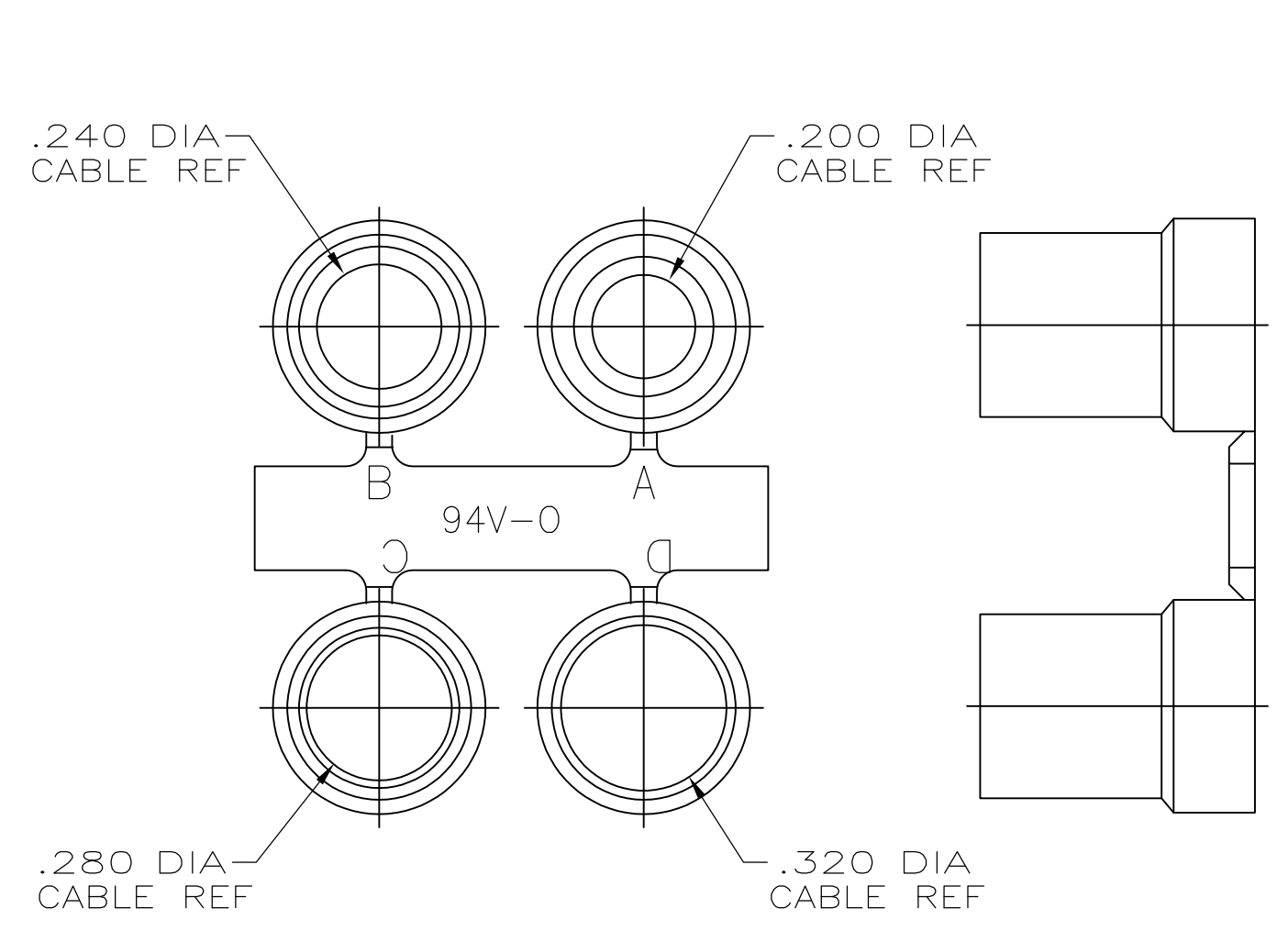
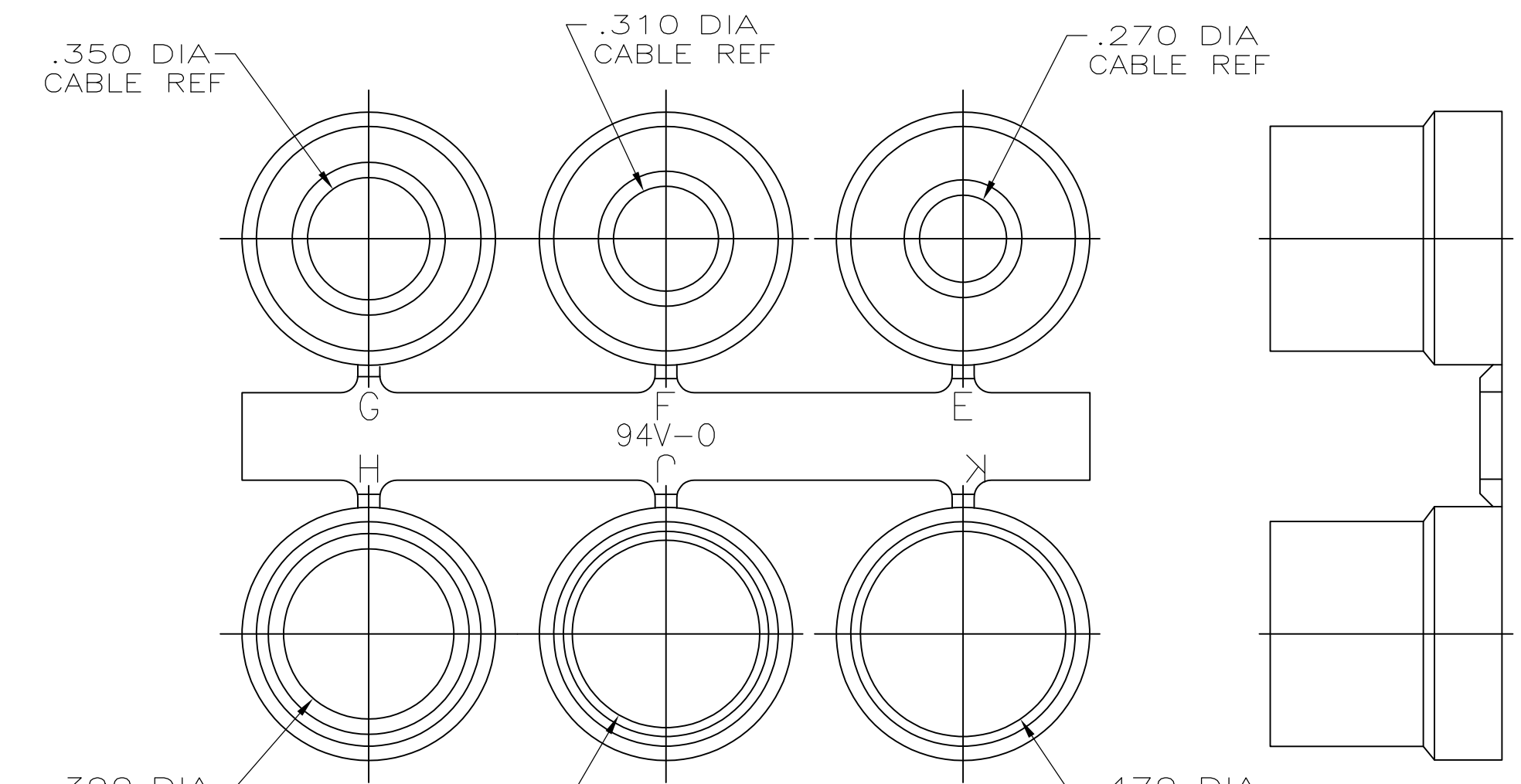


- PARTS PACKAGED UNASSEMBLED AS A UNIT KIT.
- CABLE CLAMPS: ABS COMPOUND, COLOR BLACK.
FILISTER HEAD SCREWS, HEX NUTS & MOUNTING SCREWS: STEEL.
GROMMETS: FLEXIBLE PVC, UL 94V-0 RATED, COLOR BLACK.
- CABLE CLAMPS: UNPLATED.
FILISTER HEAD SCREWS, HEX NUTS & MOUNTING SCREWS: ZINC PLATED
CLEAR CHROMATE COATED.
- SIZE 3 CONFIGURATION SHOWN. NUMBER AND SIZE OF SLOTS IN THIS AREA VARIES BY CABLE CLAMP SIZE.



GROMMET ASSORTMENT TYPE 1 SEE TABLE



GROMMET ASSORTMENT TYPE 2 SEE TABLE

| | | | | | | | |
|--------------------|------|------|-------|-------|-------|------|-----------|
| TYPE 2 | .900 | .730 | 2.644 | 1.920 | 2.406 | 5 | 5748678-5 |
| TYPE 2 | .800 | .620 | 2.738 | 1.920 | 2.500 | 4 | 5748678-4 |
| TYPE 2 | .680 | .640 | 2.090 | 1.920 | 1.852 | 3 | 5748678-3 |
| TYPE 1 | .620 | .620 | 1.545 | 1.910 | 1.312 | 2 | 5748678-2 |
| TYPE 1 | .570 | .630 | 1.215 | 1.910 | .984 | 1 | 5748678-1 |
| GROMMET ASSORTMENT | E | D | C | B | A | SIZE | PART NO |

**COPYRIGHT 2005
TE CONNECTIVITY CORP
ALL RIGHTS RESERVED**

| | | | |
|--|--|----------------------------|--|
| THIS DRAWING IS A CONTROLLED DOCUMENT. | | DWN: R. RICHARDSON 15SEP05 | STE TE Connectivity |
| DIMENSIONS: INCHES | | CHK: C. ROHDE 15SEP05 | |
| TOLERANCES UNLESS OTHERWISE SPECIFIED: | | APVD: M. WALMSLEY 15SEP05 | NAME: KIT, CABLE CLAMP, 180 DEGREES EXIT, UNPLATED, BLACK. |
| 0 PLC ± - | | PRODUCT SPEC | |
| 1 PLC ± - | | APPLICATION SPEC | |
| 2 PLC ± - | | SIZE: A1 | CAGE CODE: 00779 |
| 3 PLC ± .005 | | DRAWING NO: C=5748678 | RESTRICTED TO: - |
| 4 PLC ± - | | WEIGHT: - | SCALE: 3:1 |
| ANGLES ± - | | CUSTOMER DRAWING | SHEET 1 OF 1 |
| FINISH: 2 | | | REV A1 |