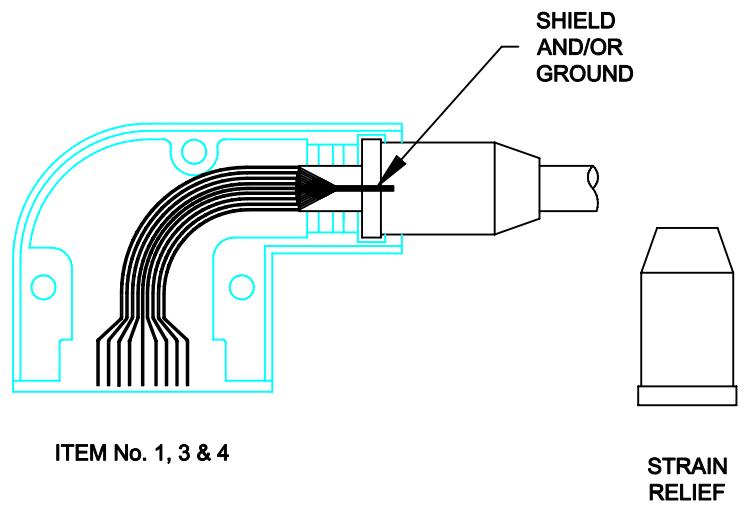
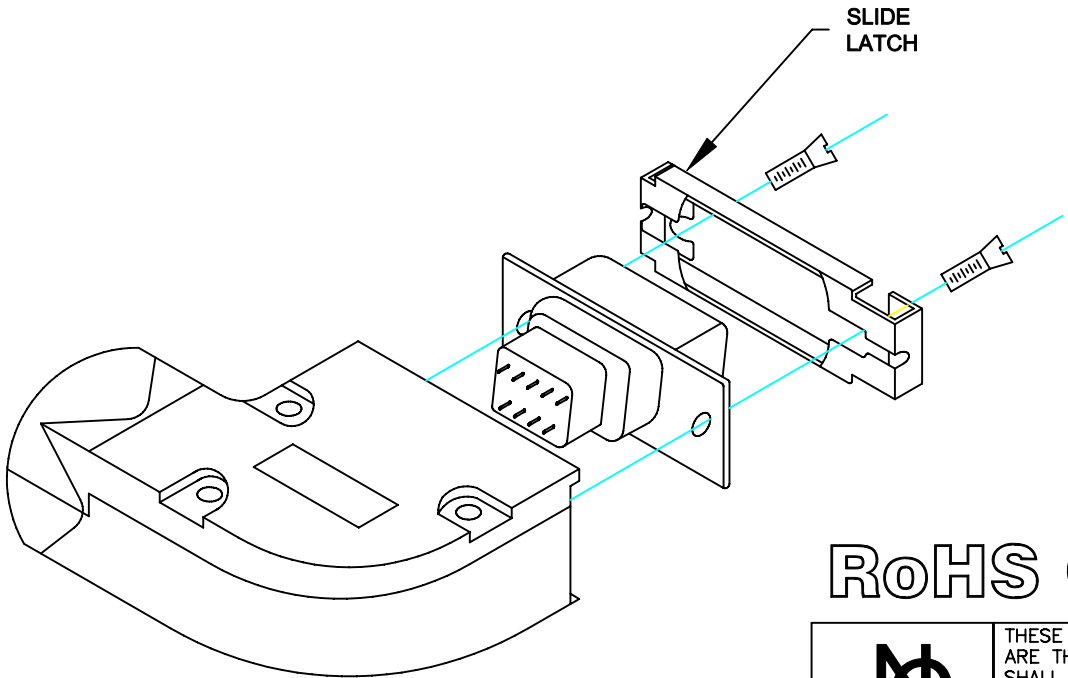
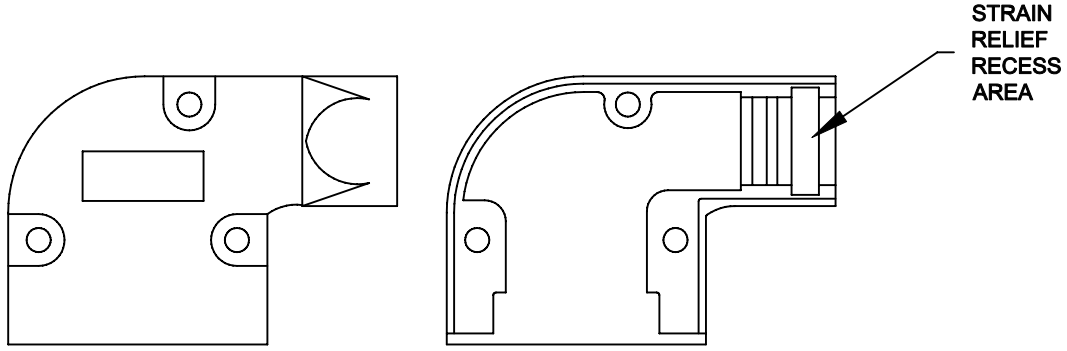


**ASSEMBLY INSTRUCTIONS:**

1. CHOOSE THE STRAIN RELIEF THAT MOST CLOSELY MATCH THE CABLE O/D AND SLIDE OVER CABLE JACKET
2. PREPARE CABLE ENDS, CONNECT TO CONNECTOR
3. IF CABLE IS SHIELDED, FOLD SHIELD AND/OR GROUND WIRE BACK OVER STRAIN RELIEF. CUT OFF ANY EXCESS WIRE SO IT DOES NOT STICK OUT OF THE HOOD
4. INSERT THE STRAIN RELIEF INTO THE STRAIN RELIEF RECESS AREA IN ONE HALF OF THE HOOD. IF THE CABLE IS BIGGER THAN ANY OF THE STRAIN RELIEVES, THE CABLE MAY BE INSERTED WITHOUT A STRAIN RELIEF
5. PLACE THE OTHER HALF OF THE HOOD ON TOP OF THE FIRST HALF, MAKING SURE NO WIRES ARE PINCHED
6. HOLDING THE HOOD HALVES TOGETHER, INSERT THE MOUNTING SCREWS AND TIGHTEN THE TWO HALVES TOGETHER
7. TO MOUNT SLIDE LATCH; PUSH CONNECTOR AND WIRE BACK INTO THE HOOD MAKING SURE NO WIRES ARE PINCHED. PLACE SLIDE LATCH OVER CONNECTOR, TIGHTEN LATCH USING SCREWS PROVIDED



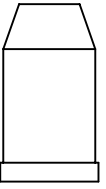
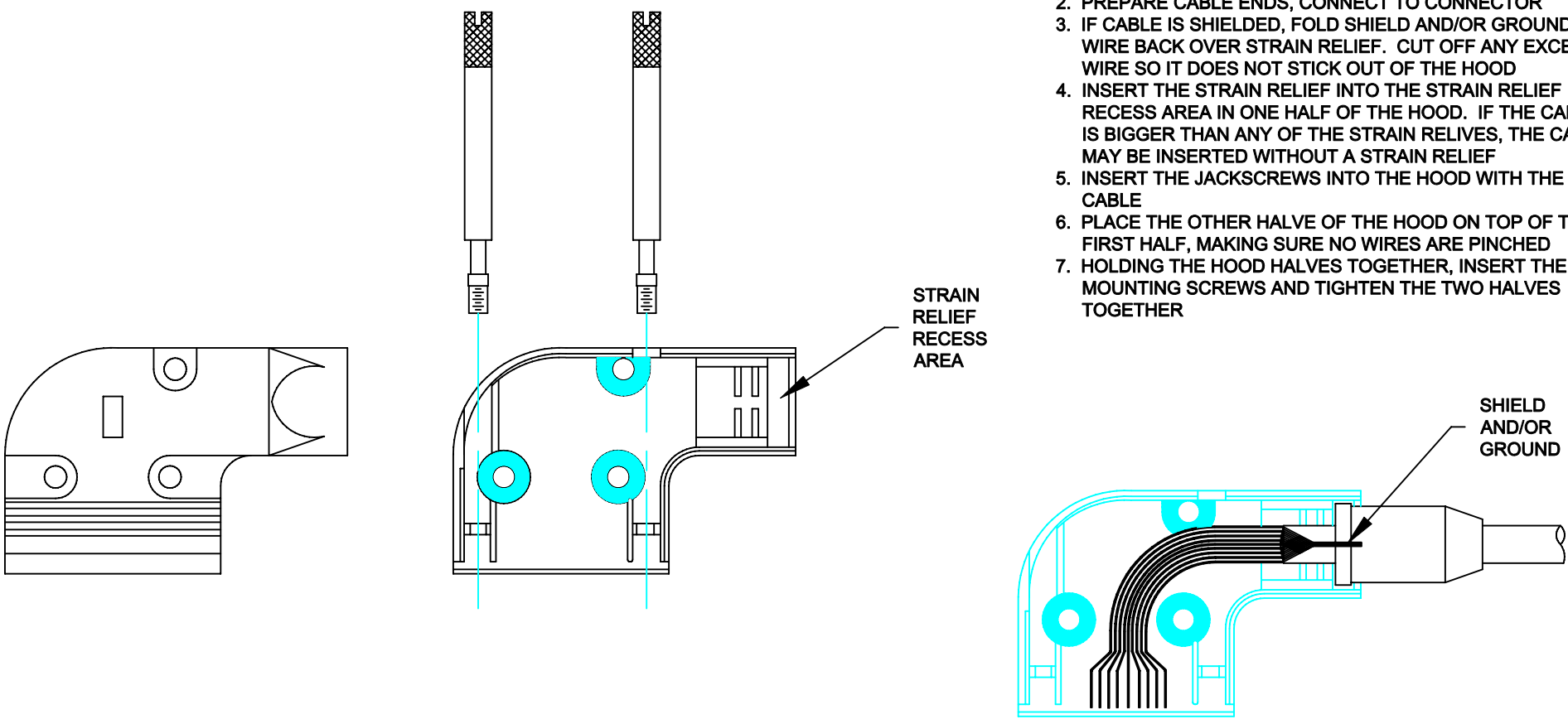
**RoHS COMPLIANT**

**DIE CAST**

	THESE DRAWINGS AND SPECIFICATIONS ARE THE PROPERTY OF NorComp AND SHALL NOT BE REPRODUCED, COPIED OR USED AS THE BASIS FOR THE MANUFACTURE OF SALE OF APPARATUS WITHOUT WRITTEN PERMISSION.		DRAWN: <b>C. SMITH</b>	DATE: <b>03-31-06</b>
			CHECKED: <b>X</b>	DATE: <b>X</b>
<h1>NorComp</h1>		SCALE: N.T.S.	SHEET 1 OF 2	REV 0
		DWG NO. <b>BACKSHELL - 981 SERIES</b>		

**ASSEMBLY INSTRUCTIONS:**

1. CHOOSE THE STRAIN RELIEF THAT MOST CLOSELY MATCH THE CABLE O/D AND SLIDE OVER CABLE JACKET
2. PREPARE CABLE ENDS, CONNECT TO CONNECTOR
3. IF CABLE IS SHIELDED, FOLD SHIELD AND/OR GROUND WIRE BACK OVER STRAIN RELIEF. CUT OFF ANY EXCESS WIRE SO IT DOES NOT STICK OUT OF THE HOOD
4. INSERT THE STRAIN RELIEF INTO THE STRAIN RELIEF RECESS AREA IN ONE HALF OF THE HOOD. IF THE CABLE IS BIGGER THAN ANY OF THE STRAIN RELIEVES, THE CABLE MAY BE INSERTED WITHOUT A STRAIN RELIEF
5. INSERT THE JACKSCREWS INTO THE HOOD WITH THE CABLE
6. PLACE THE OTHER HALVE OF THE HOOD ON TOP OF THE FIRST HALF, MAKING SURE NO WIRES ARE PINCHED
7. HOLDING THE HOOD HALVES TOGETHER, INSERT THE MOUNTING SCREWS AND TIGHTEN THE TWO HALVES TOGETHER



STRAIN RELIEF

**RoHS COMPLIANT**

**DIE CAST**

	THESE DRAWINGS AND SPECIFICATIONS ARE THE PROPERTY OF NorComp AND SHALL NOT BE REPRODUCED, COPIED OR USED AS THE BASIS FOR THE MANUFACTURE OF SALE OF APPARATUS WITHOUT WRITTEN PERMISSION.		DRAWN: <b>C. SMITH</b>	DATE: <b>03-31-06</b>
			CHECKED: <b>X</b>	DATE: <b>X</b>
<h1>NorComp</h1>		SCALE: <b>N.T.S.</b>	SHEET <b>2</b> OF <b>2</b>	REV <b>0</b>
		DWG NO. <b>BACKSHELL - 981 SERIES</b>		