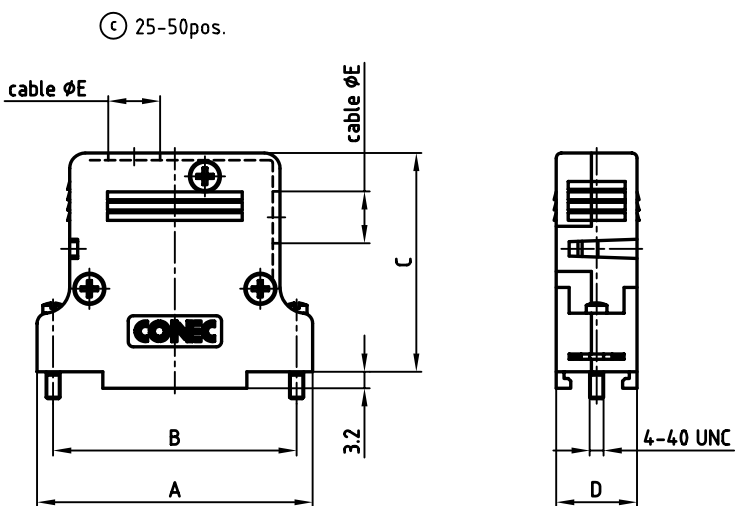
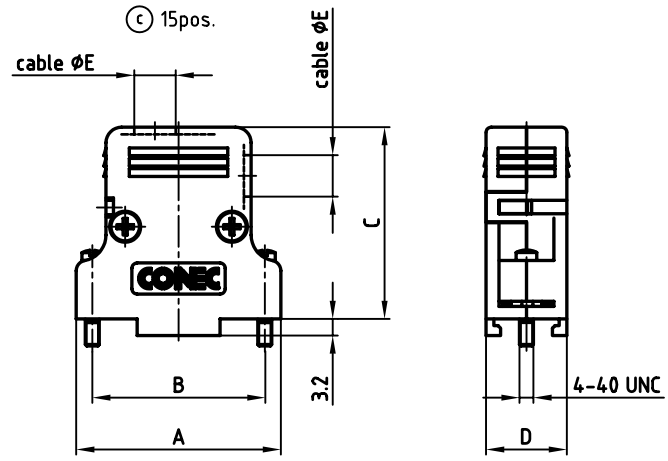
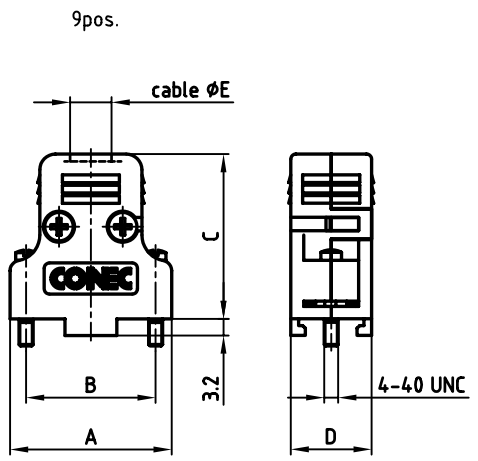


used for: D-SUB



No. of pos.	A	B	C	D	ØE <sub>max.</sub>	Part No. Single package	Part No. Bulk package
9	31.2	25.0	31.8	15.6	8.0	165X11869XE	165X11869X
15	39.5	33.3	37.0	15.6	8.0	165X11879XE	165X11879X
25	53.2	47.0	42.2	15.6	10.0	165X11889XE	165X11889X
37	69.7	63.5	42.2	15.6	10.0	165X11899XE	165X11899X
50	67.3	61.1	42.2	18.5	12.5	165X11909XE	165X11909X

- NOTES:**
- (b) 1. HOOD: PC UL 94 V-0; GREY
  - (b) 2. HOOD PLUG: PC UL 94 V-0; GREY
  - 3. JACKSCREW: BRASS; NICKEL PLATED
  - 4. SCREW FOR STRAIN RELIEF: STEEL; NICKEL PLATED
  - 5. COVER SCREW: STEEL; NICKEL PLATED
  - 6. STRAIN RELIEF: STEEL; NICKEL PLATED

Directive 2002/95/EC  
„RoHS“  
Compliant

APPROVAL # FREIGABE # DEBLOCAGE # AUTORIZACION # APPROVAL

CUSTOMER APPROVAL DATE:

---

NAME: TITLE:

---

COMPANY NAME:

APPROVAL # FREIGABE # DEBLOCAGE # AUTORIZACION # APPROVAL

THIS DRAWING MAY NOT BE COPIED OR REPRODUCED IN ANY WAY, AND MAY NOT BE PASSED ON TO A THIRD PARTY, WITHOUT WRITTEN PERMISSION. OWNERSHIP AND COPYRIGHT OF CONEC GmbH DO NOT ALTER CAD DRAWING BY HAND

tolerance	dim. in mm	
2006	date	name
drawn	06.02.	Lehmenkühler
appd.	07.02.	Mickenbecker
norm		
2 x c	Ä 2795	04.09.07 Lehmen
3 x b	Ä 2545	04.08.06 HS
a	Origin	
rev.	description	date name

scale: 1:1

material: SEE NOTES

title: **PLASTIC HOOD**  
9pos. with top cable exit  
15-50pos. with top and side cable exit

dwg no: AutoCAD 2004 DIN-A 3

16K1A1734

part no: SEE TABLE

sh: 1/1

