

IP67 plastic hoods  
IP67 metallized plastic hoods

Identification	No. of contacts	Part number	Drawing	Dimensions in mm
----------------	-----------------	-------------	---------	------------------

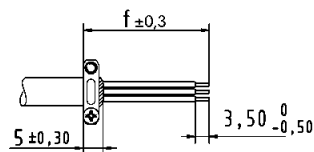
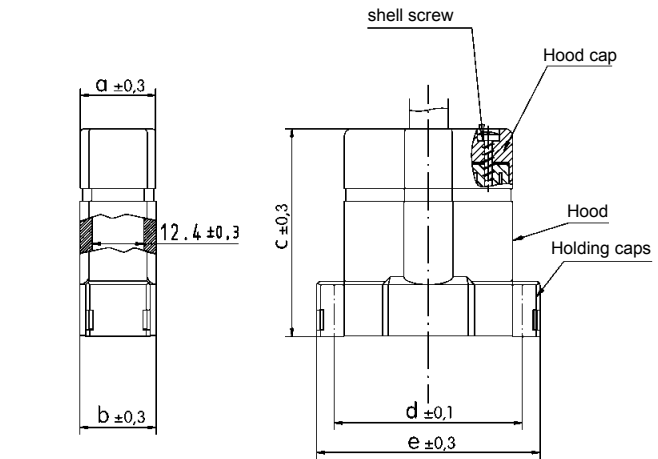
D-Sub

Hood  
Black thermoplastic

9	09 67 009 0436
15	09 67 015 0436
25	09 67 025 0436

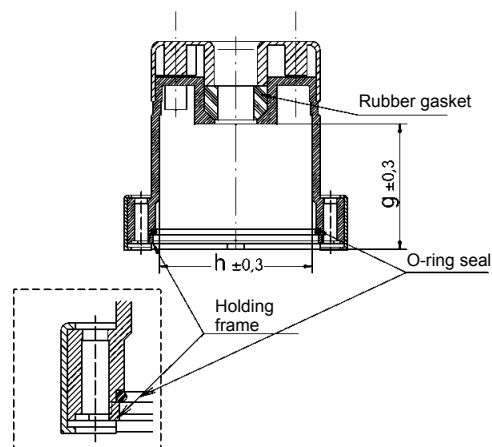
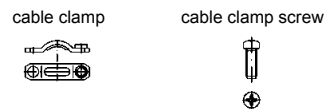
Metallized thermoplastic

9	09 67 009 0437
15	09 67 015 0437
25	09 67 025 0437



Mounting instructions

The stripped braid should not be fold back to avoid damaging the cable clamp and reducing its performance.



	a	b	c	d	e	f	g	h
9	15.6	15.6	41.0	25.00	33.6	23.0	25.0	17.0
15	15.6	15.6	46.8	33.30	42.0	27.5	30.8	25.1
25	18.8	19.1	52.0	47.04	55.7	31.5	33.8	38.8