

1

2

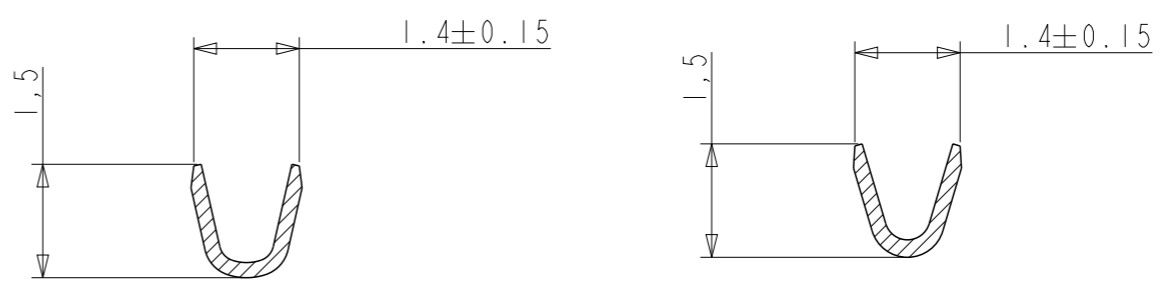
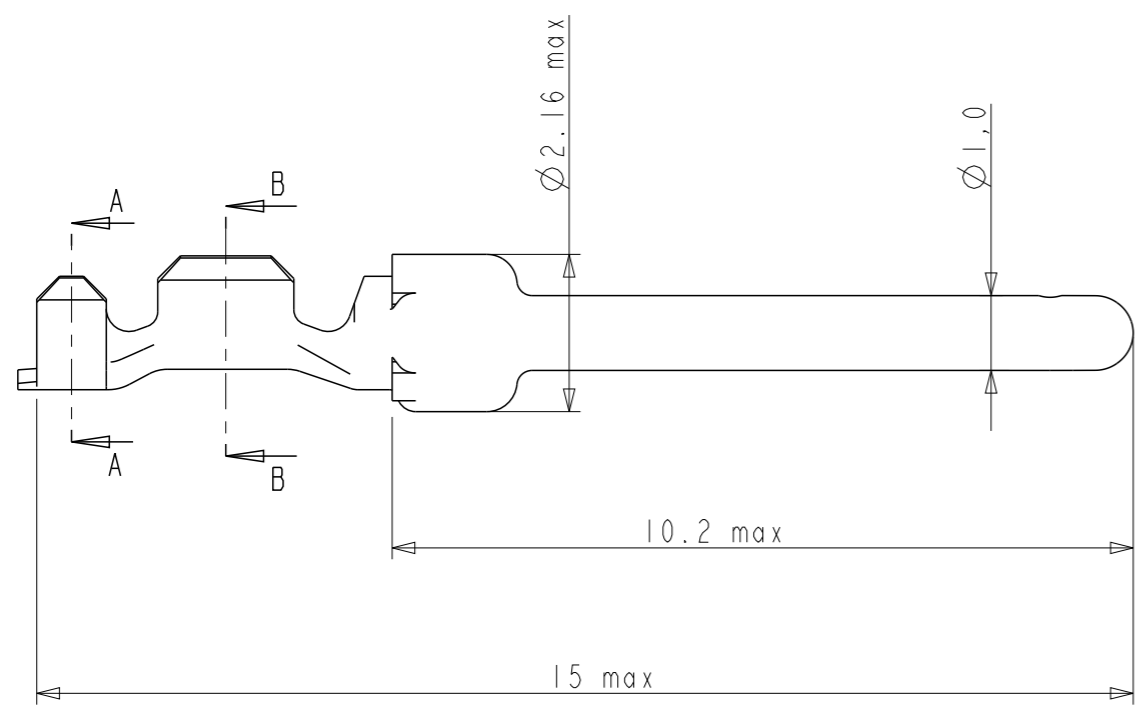
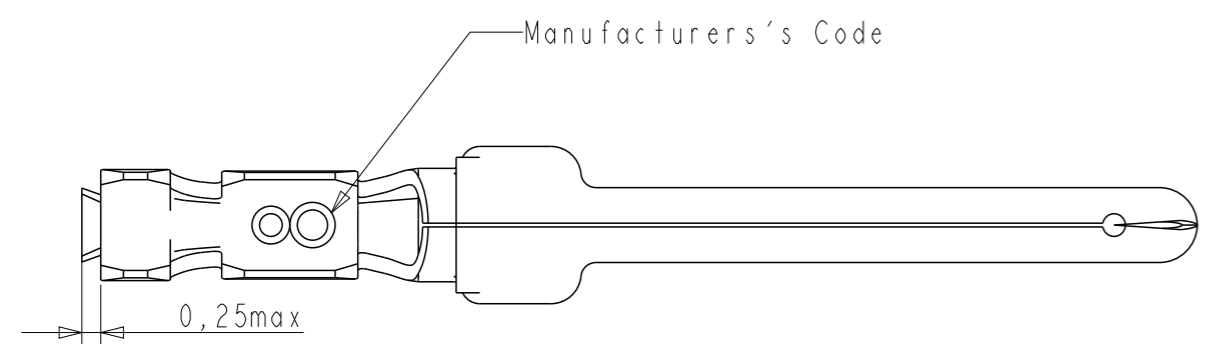
3

4

NOTES:

- 1-Material: Phosphor bronze, thickness 0.20  
socket : Phosphor bronze
- 2-Finish on contact area: see table  
finish on termination: bright tin over nickel
- 3-Wire range: 20 to 28 AW
- 4-Max outer dia of wire insulator:  
-1.73 mm for contact #20-24  
-1.02 mm for contact #24-28
- 5-Current carrying capacity per contact:  
5 Amps max when crimped to #20 AWG  
5 Amps max when crimped to #22 AWG  
3 Amps max when crimped to #24 AWG  
2 Amps max when crimped to #26 AWG  
1 Amps max when crimped to #28 AWG
- 6-After 5 insertions into connector,  
contact retention must be 5 pounds axial load min
- 7-When contact is crimped to 20 AWG, the insulation  
support crimped height must be 1.78 mm max to ensure  
a proper insertion into housing
- 6-Packaging: box of 500 contacts

PART NUMBER	Plating
8656350067LF	0.4μ Au / GXT
8656350067	0.4μ Au / GXT
8656350065LF	0.76μ Au / GXT
86563050065	0.76μ Au / GXT
8656350064LF	flash Au
8656350064	flash Au



CROSS SECTIONS FOR CT #24-28



Copyright FCI.

NOTE : ROHS INFORMATIONS  
The LF products meet European union directives and other country regulations as described in GS-22-008  
Terminations plating spec : 2um Nickel min + 2um Sn min  
Packaging Spec : see GS-14-920

rev	ecn no	dr	date
C	LS06-196	MPE	27/11/2006
D	LS08-0127	MPE	2008/05/13
E	LS08-0167	MPE	2008/08/05
F	110-0070	AMR	2010-03-09
G	111-0003	AMR	2011-01-06
-	-	-	-
-	-	-	-

www.fciconnect.com		surface - ✓ ISO 1302	tolerance std ISO 406 ISO 1101	projection mm
TOLERANCES UNLESS OTHERWISE SPECIFIED				
Dr	-	18/04/03	ANGULAR	0.X ±0.3
Eng	-	-	LINEAR	0.XX ±0.1
Chr	-	-	0° ±2°	0.XXX ±0.05
Appr	-	-	Product family	size A3
FCI CRIMP PIN				ECN 111-0003
#Wire 24-28 ∅1.02				Spec ref -
catalog no -				Rev. G
-				sheet 1 of 1