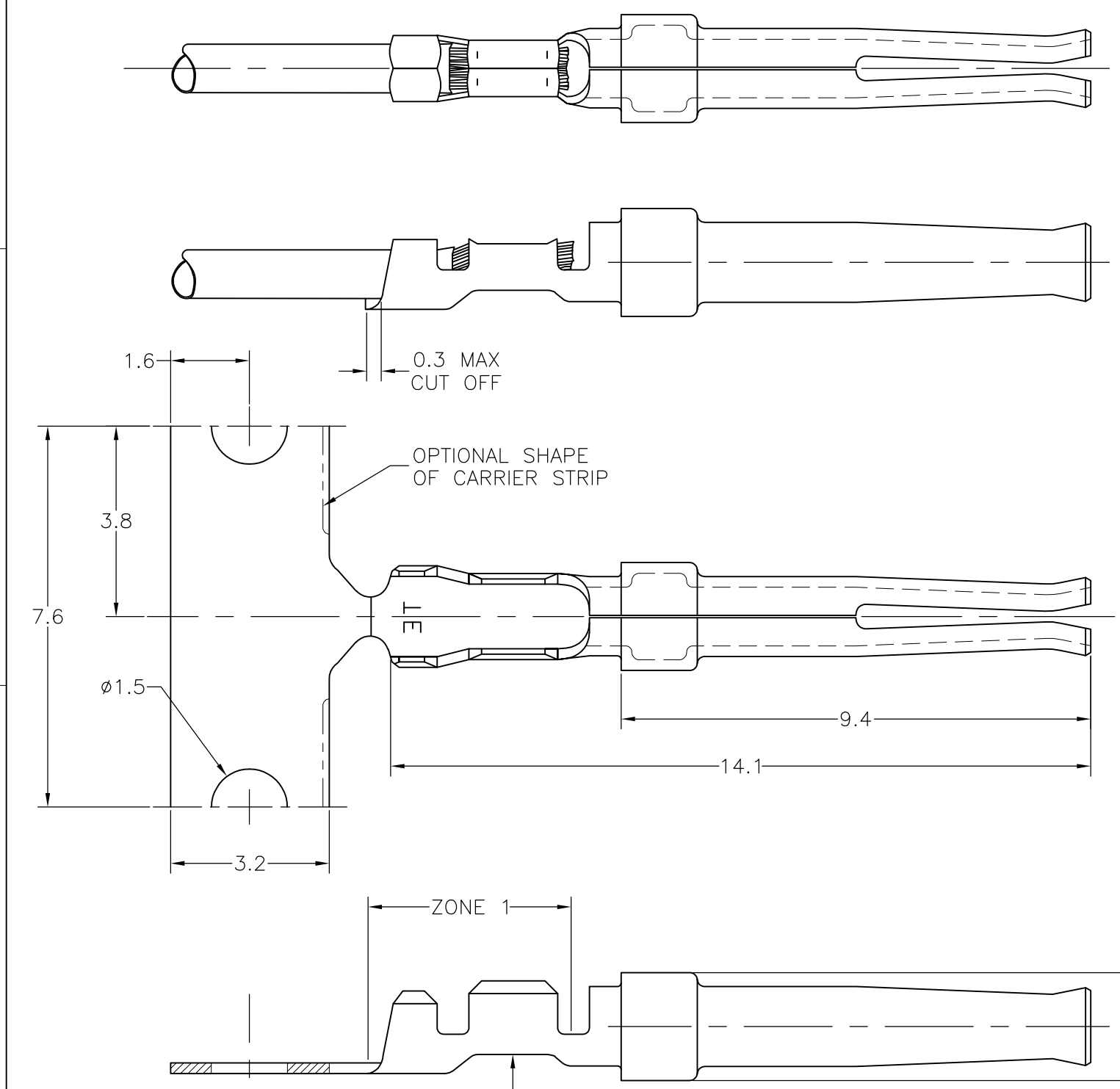


THIS DRAWING IS UNPUBLISHED. RELEASED FOR PUBLICATION
 © COPYRIGHT - By - ALL RIGHTS RESERVED.

LOC	DIST	REVISIONS			
P	LTR	DESCRIPTION	DATE	DWN	APVD
GP	00	T	REVISED PER ECO-11-020101	10APR2012	CJV CWR

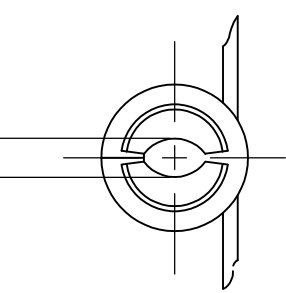
- NOTES:
- 1 FOR MINI-APPLICATOR-12500 PCS REEL.
 - 2 FOR REEL-FEED HAND TOOLING-500 PCS REEL.
 - 3 FOR HAND TOOLING- LOOSE PIECE.
 - 4. MATERIAL: PHOSPHORBRONZE.
 - 5 FINISH:
 - Ni UNDERPLATING ALL OVER.
 - CONTACT AREA PLATING MEETS IEC-807-3 PERFORMANCE LEVEL 2.
 - CRIMP ZONE Sn PLATED.



WIRE RANGE: 28-24 AWG(0,08-0,22mm²)
 INSUL. RANGE: 0,76-1,02 DIA

BLUE COLOR CODE (LOOSE-PIECE ONLY)

I.D. ACCOMMODATES $\phi 1,0$ PIN



5	166292-1	5-166052-1	166052-1
FINISH	LOOSE PIECE 3	PART NUMBER 2	PART NUMBER 1
THIS DRAWING IS A CONTROLLED DOCUMENT. DIMENSIONS: mm 		STE TE Connectivity SOCKET CONTACT, SIZE 20 DF.	
TOLERANCES UNLESS OTHERWISE SPECIFIED: 0 PLC $\pm -$ 1 PLC $\pm 0,127$ 2 PLC $\pm -$ 3 PLC $\pm -$ 4 PLC $\pm -$ ANGLES $\pm -$		DWN - CHK K.MALCZYK 09SEP08 APVD T.DE BOER 09SEP08 PRODUCT SPEC 108-40005 APPLICATION SPEC 114-10000 WEIGHT - CUSTOMER DRAWING	
MATERIAL -		FINISH -	NAME SIZE A3 CAGE CODE 00779 DRAWING NO C-166052 RESTRICTED TO - SCALE NTS SHEET 1 OF 1 REV T