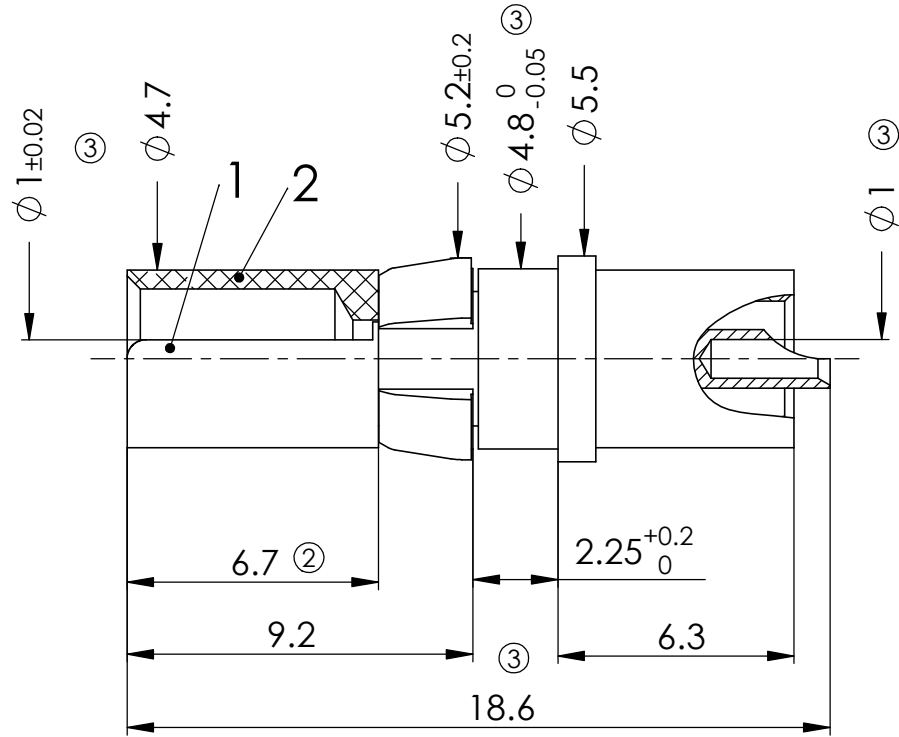
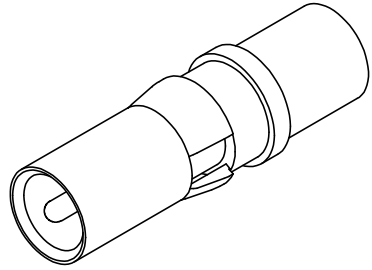


COMMENT:  
 ALL RIGHTS ARE RESERVED BY US FOR THIS DRAWING. WITHOUT OUR PRIOR CONSENT,  
 IT MAY NEITHER BE DUPLICATED NOR MADE AVAILABLE TO A THIRD PARTY,  
 AND IT ALSO MAY NOT BE IMPROPERLY USED BY THE RECEIVER, OR A THIRD PARTY.



			<b>HIGH VOLTAGE CONTACT</b>		SCALE 5:1	CABLE	
FOR D-SUB or EN 60603-2			NAME / DATE		DATA SHEET		
DIMENSIONS IN MM			DRAWN	erappenglitz 14-10-2004			
MATERIAL + FINISH SEE EXTRA SHEET			CHECKED	ffuhrmann 17-08-2006			
UNLESS OTHERWISE SPECIFIED DIMENSIONS FOR REFERENCE ONLY					PART NO. FMV001S_K		REV. 3
3	10-07-2007	11427			REPLACEMENT FOR:		PAGE: 1/1
REV.	DATE	INDEX	ORIGINAL: DIN A4-DRAWING AS A FILE				