

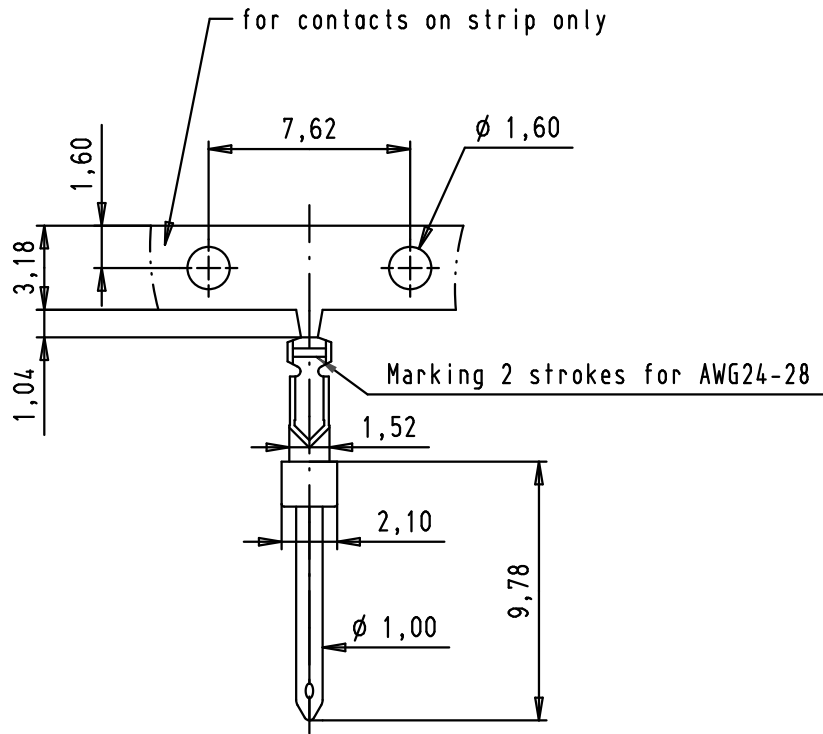
5

4

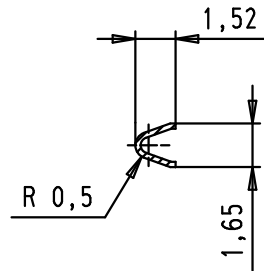
3

2

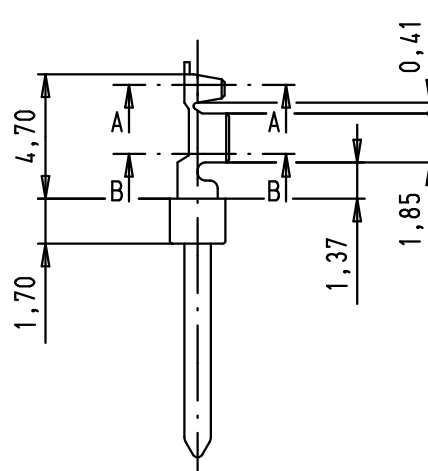
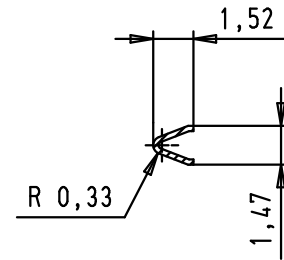
1



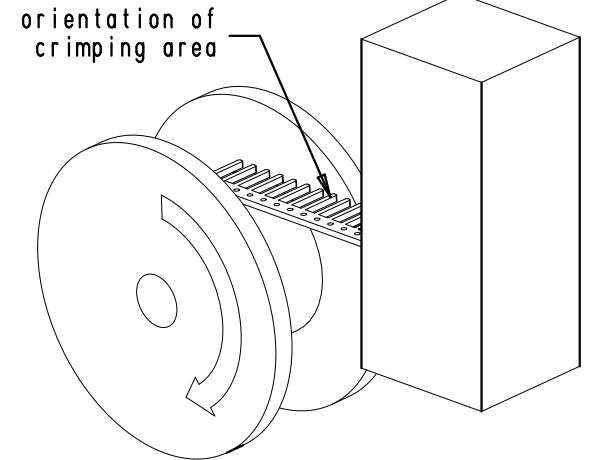
Section A-A



Section B-B

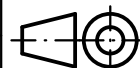


Reel unrolling left reversed



Base material: brass  
 Plating: sliding contact selective gold plated over nickel  
 nickel plated crimp area  
 Number of contacts per reel: 10000

				Dat.	Name
			Detail.	24/03/03	PP
36288	13/01/12	SD	Insp.	13/01/12	JB
33986	23/04/07	PK	Stand.		
33242	17/10/05	JMDR	HARTING EURL F-95972 Paris		
31475	24/03/03	PP			
Mod.	Dat.	Name			



All Dim. in mm  
 Orig. Size DIN A 4

D-Sub, stamped male  
 AWG 24-28 crimp contact, reel  
 unrolling left reversed

Maßstab/  
 Scale

3,5:1



TB 09 67 000 714X

Blatt/ Page

1 / 1

09 67 000 7148	PL2
09 67 000 7147	PL3
09 67 000 7146	PL1
Part number	Performance level

Sub.