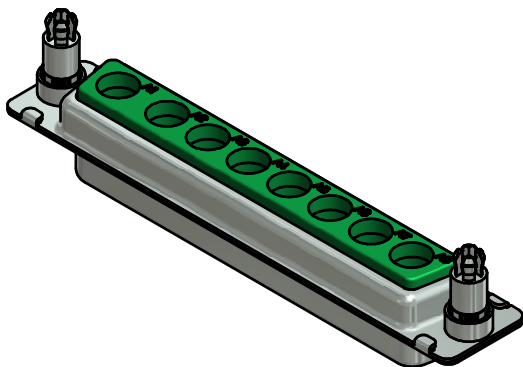
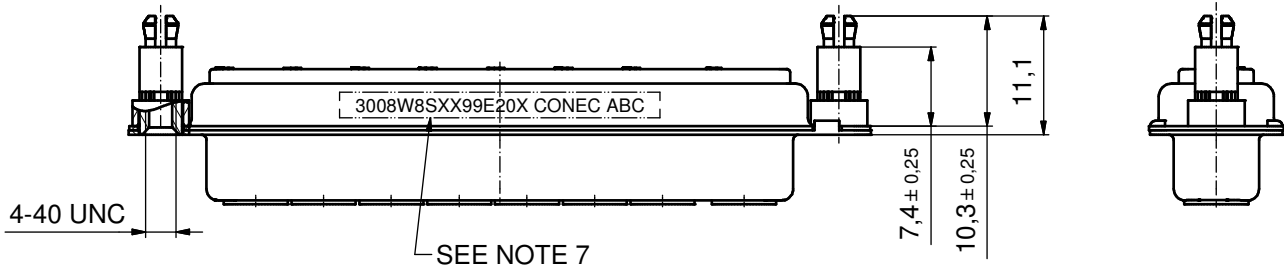
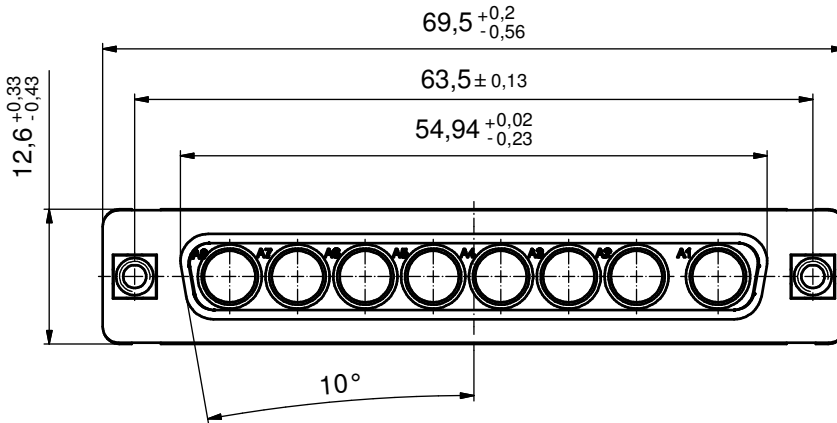
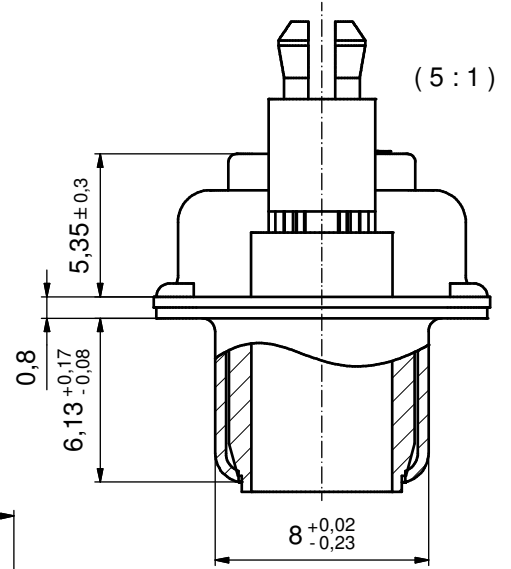
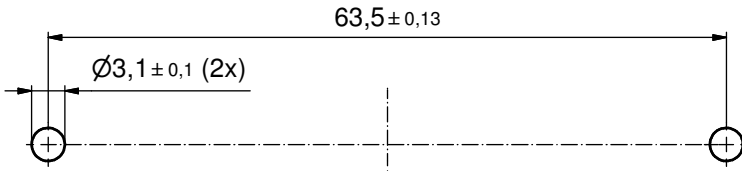


P.C.B. HOLE DRILLING
(P.C.B. TOP SIDE)



NOTES:

- METALSHELLS: STEEL; min. 315µm TIN over 40-80µm NICKEL
- INSULATOR: PBT GF UL 94 V-0; GREEN
- NO CONTACTS ON POS. A1 - A8
- THREADED SPACER CLIPS: COPPER ALLOY; min. 200µm TIN over 80µm NICKEL
PCB-HOLE: $\varnothing 3,1 \pm 0,1$ mm; PCB-THICKNESS: 1,6mm
- COLLARS: COPPER ALLOY; min. 200µm TIN over 80µm NICKEL
- MAXIMUM TORQUE VALUE FOR THREAD: 6 in.LB
- CONNECTOR IS PART MARKED: 3008W8SXX99E20X CONEC ABC

Directive 2002/95/EC RoHS compliant

THIS DRAWING MAY NOT BE COPIED OR REPRODUCED IN ANY WAY, AND MAY NOT BE PASSED ON TO A THIRD PARTY WITHOUT WRITTEN PERMISSION. OWNERSHIP AND COPYRIGHT OF CONEC GmbH

DO NOT ALTER CAD DRAWING BY HAND

				tolerance			scale: 2:1 (5:1)	
				dim. in mm			material: see notes	
				date	name	title:		
				drawn 18.07.12	Henneboel	D-SUB COMBINATION FEMALE 8W8S with threaded spacer clip		
				appd. 18.07.12	Koch			
				norm				
				d-old		dwg no:		DIN-A3
a	Original					13K1A4017		sh: 1
rev.	description	date	name			part no: 3008W8SXX99E20X		