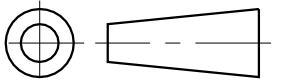


DO NOT SCALE

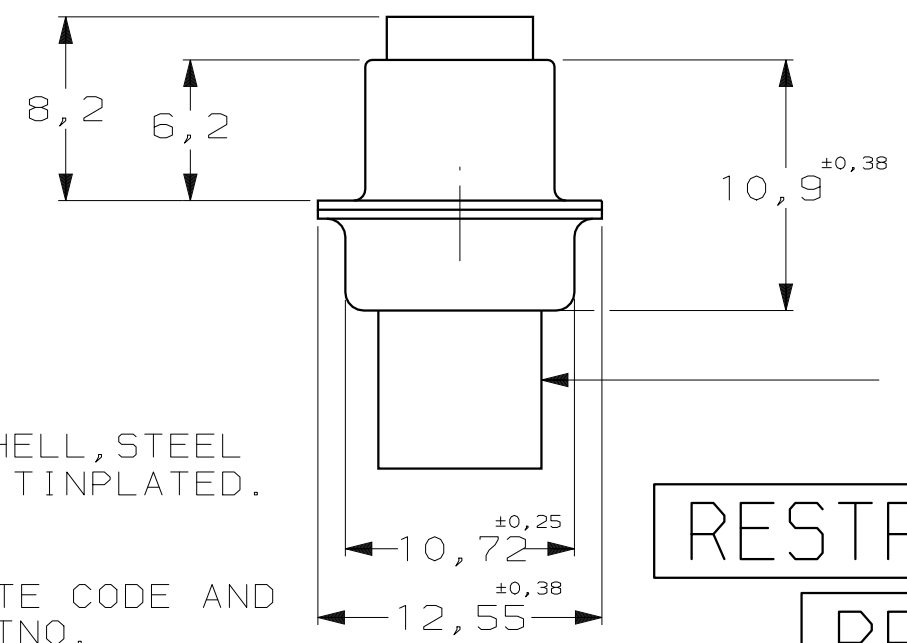
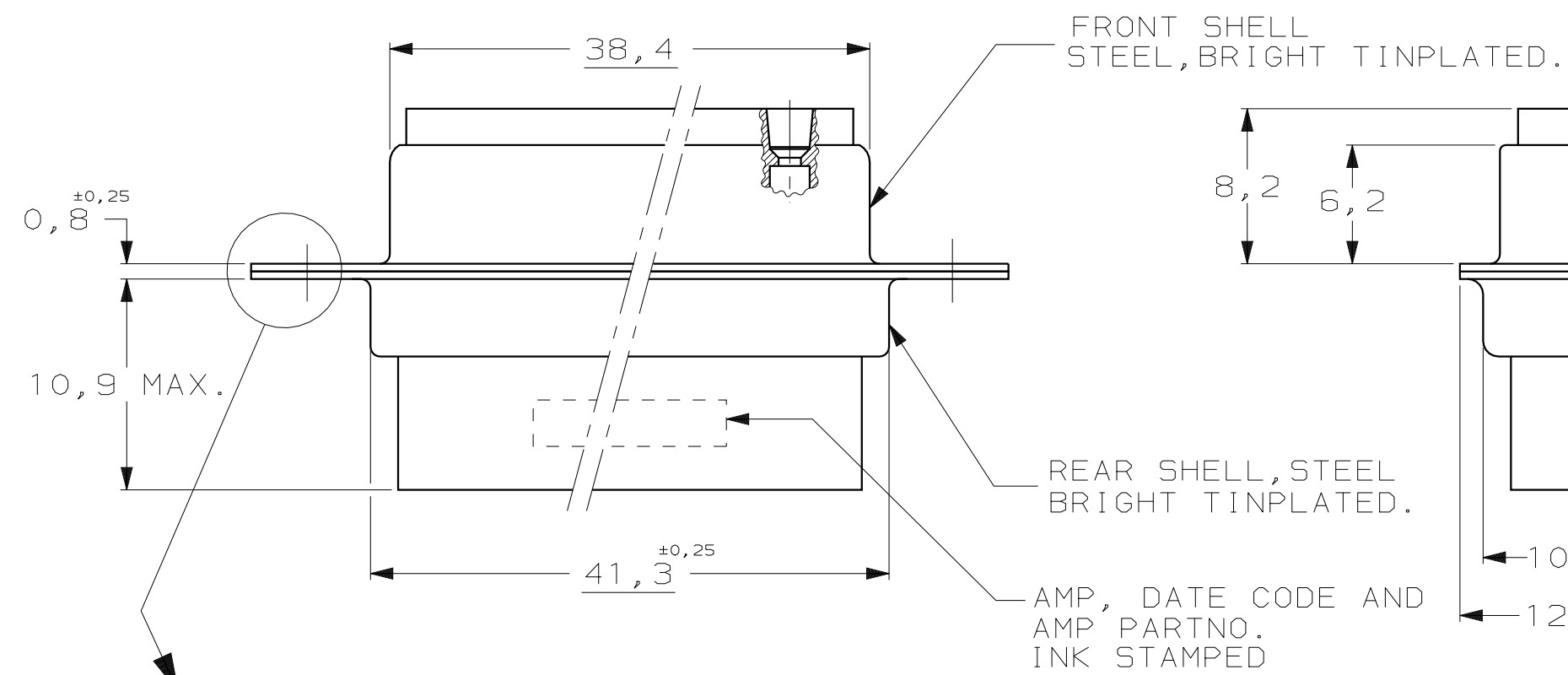
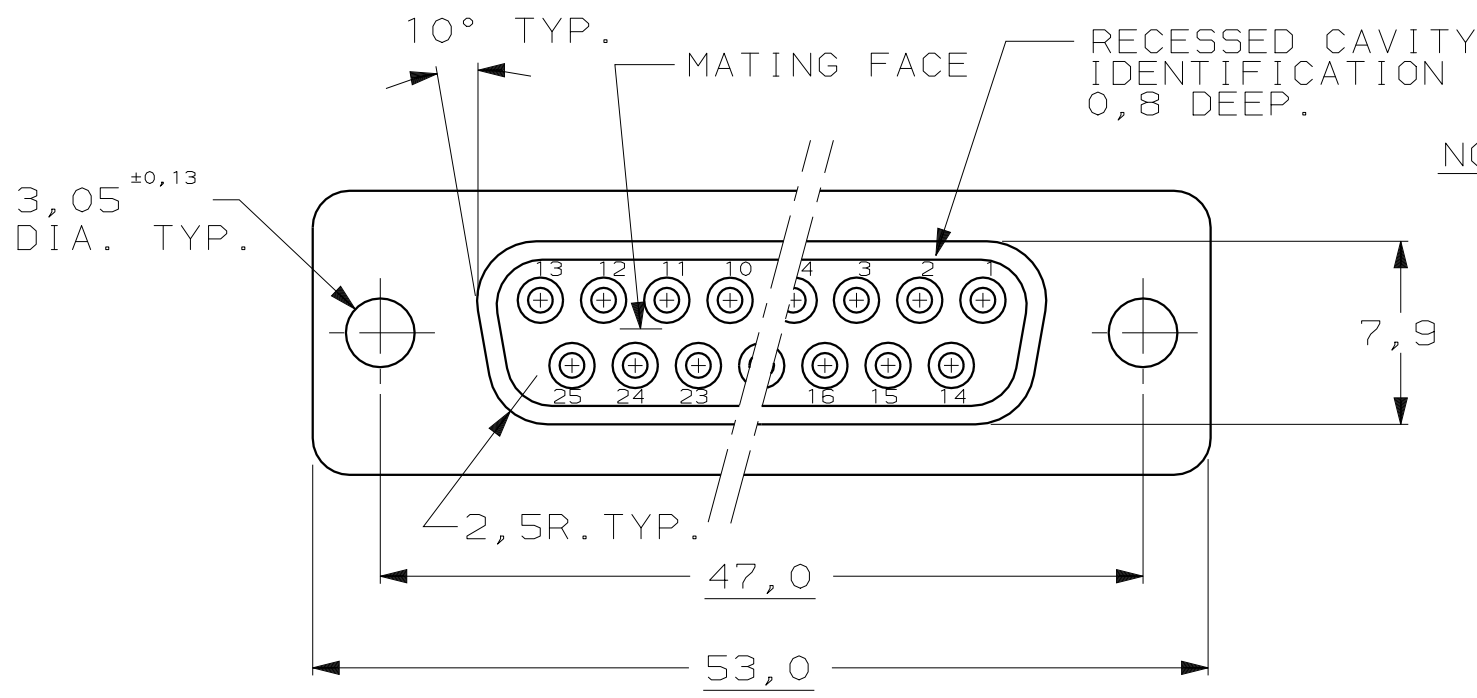
METRIC

THIRD ANGLE  
PROJECTION



DIMENSIONS IN mm

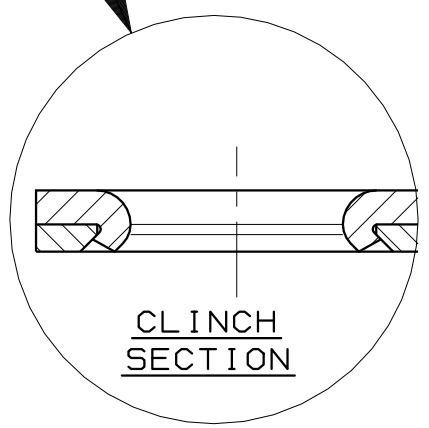
- NOTES: 1 THIS RECEPTACLE ACCEPTS SIZE 20 REC. CONTACTS.  
 2 MAXIMUM WIRE INSULATION RECOMMENDED FOR USE WITH THIS RECEPTACLE IS 1,73 DIA. MAX..  
 3 RETENTION TINES ARE AN INTEGRAL PART OF INSERT.  
 4 FOLLOWING INSERTION/REMOVAL TOOLS ARE RECOMMENDED FOR USE WITH THESE CONNECTORS:
- |                           |                           |
|---------------------------|---------------------------|
| 32-28AWG/28-24AWG CONT'S  | 24-20AWG CONTACTS         |
| 91285-1 INSERTION/REMOVAL | 91285-1 INSERTION/REMOVAL |
| 726363-1 INSERTION ONLY   | 726363-1 INSERTION ONLY   |
|                           | 726364-1 REMOVAL ONLY     |



INSERTS: NYLON  
GLASS-FILLED  
SELF-EXTINGUISHING  
COLOR: BLACK

RESTRICTED TO ABB

PRELIMINARY



	SEE DRAWING	SEE DRAWING	216834-1
	FINISH	MATERIAL	PARTNUMBER
CUSTOMER DRAWING	<b>AMP</b> AMP-HOLLAND B.V. s'-Hertogenbosch, The Netherlands.		
	THIS DRAWING IS UNPUBLISHED. RELEASED FOR PRODUCTION, 1990		
FOR REFERENCE ONLY WILL NOT BE UPDATED	© COPYRIGHT 1990 BY AMP-HOLLAND B.V. ALL INTERNATIONAL RIGHTS RESERVED. AMP PRODUCTS MAY BE COVERED BY U.S. AND FOREIGN PATENTS AND/OR PATENTS PENDING.		
DR. P. BEIJNON	DATE 03-01-90	WIRE RANGE -	NAME HDP-20 REC. CONNECTOR, SIZE 3, (25 POSITION) -SPECIAL
CHK. B. MOOIJ	DATE 05-01-90	INSUL. RANGE -	REV. DATE 09 02 90
APP. L.V. SOEST	DATE 22-01-90	SIZE A3	SHEET 1 OF 1
		DWG. No. 216834	REV. LTR. A

8 7 6 5 4 3 2 1

ABSOLUTE NOT the LATEST REVISION