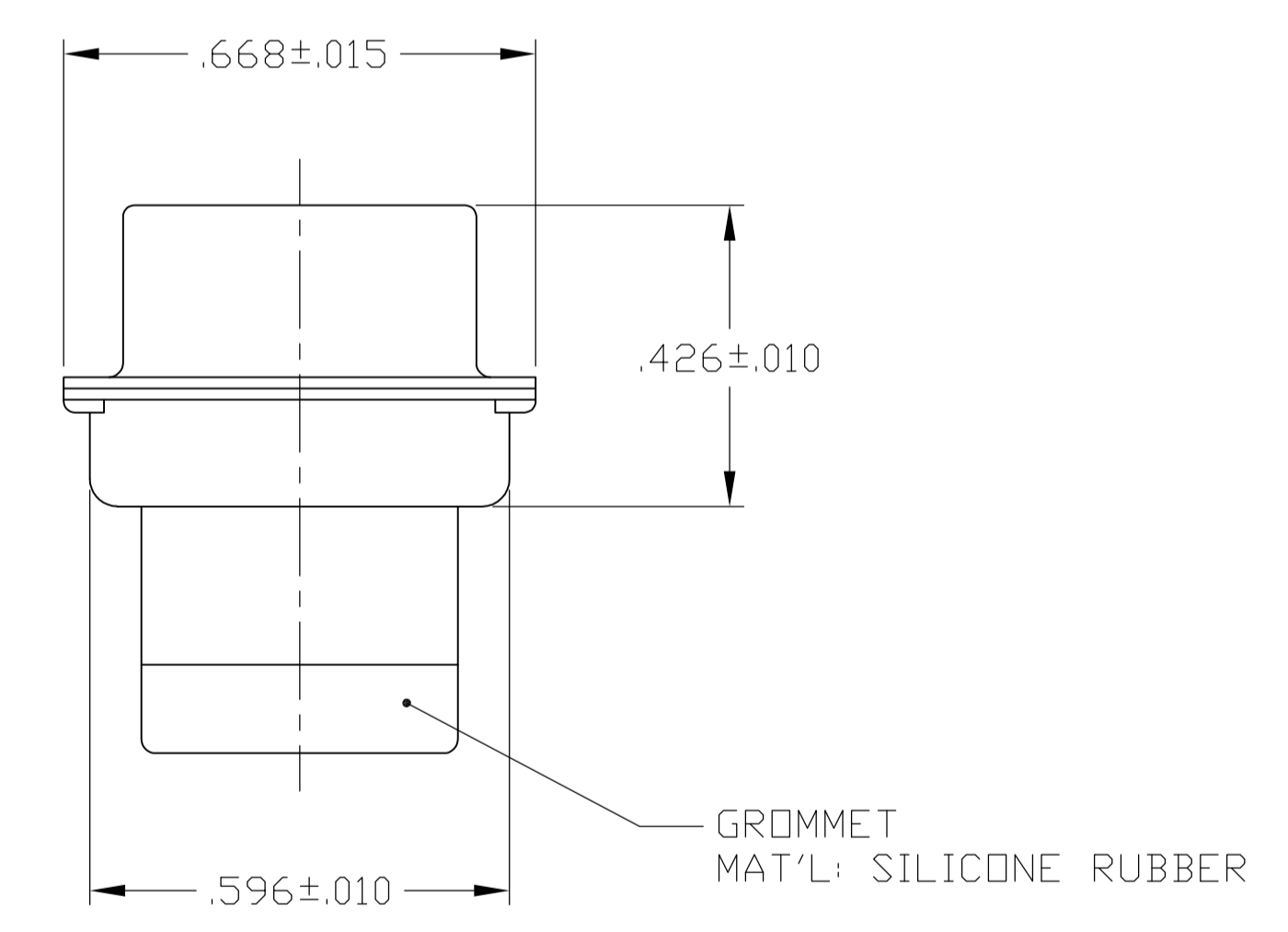
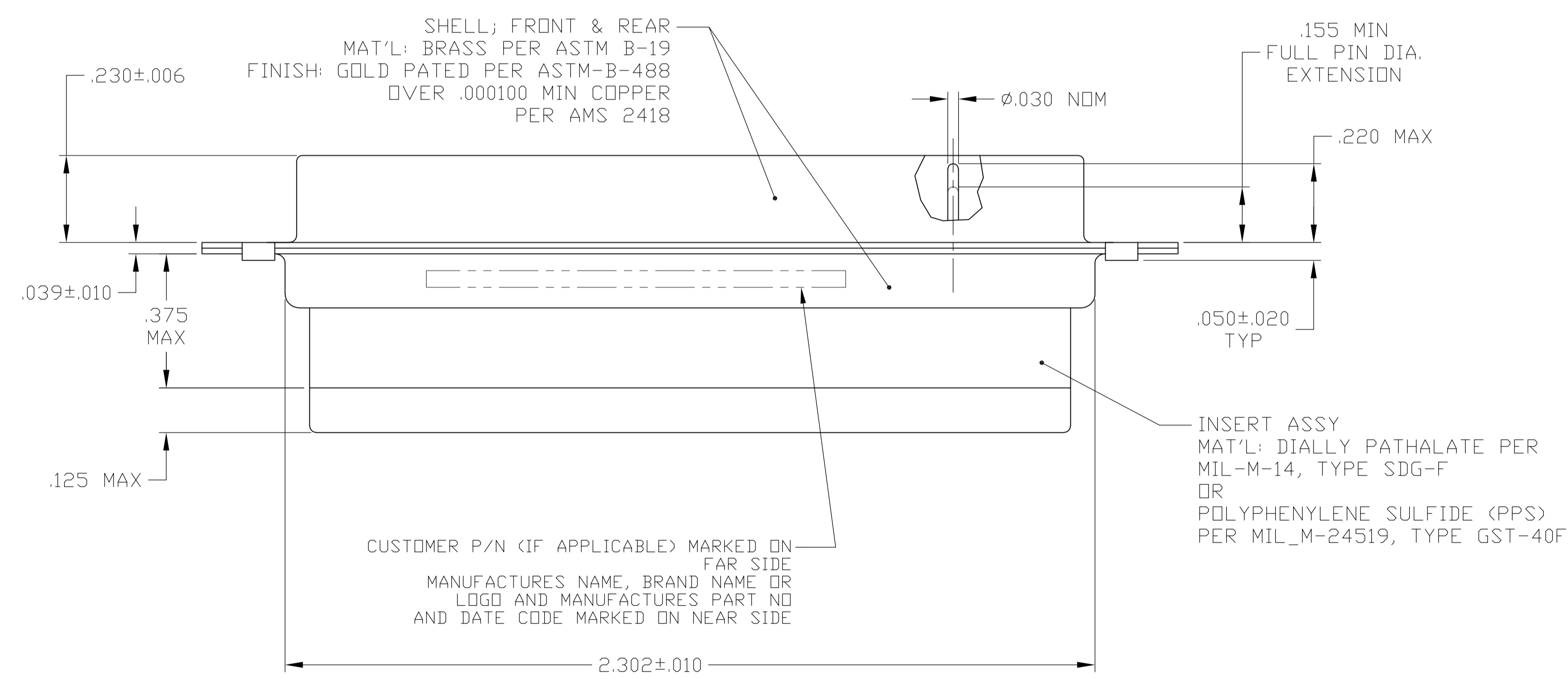
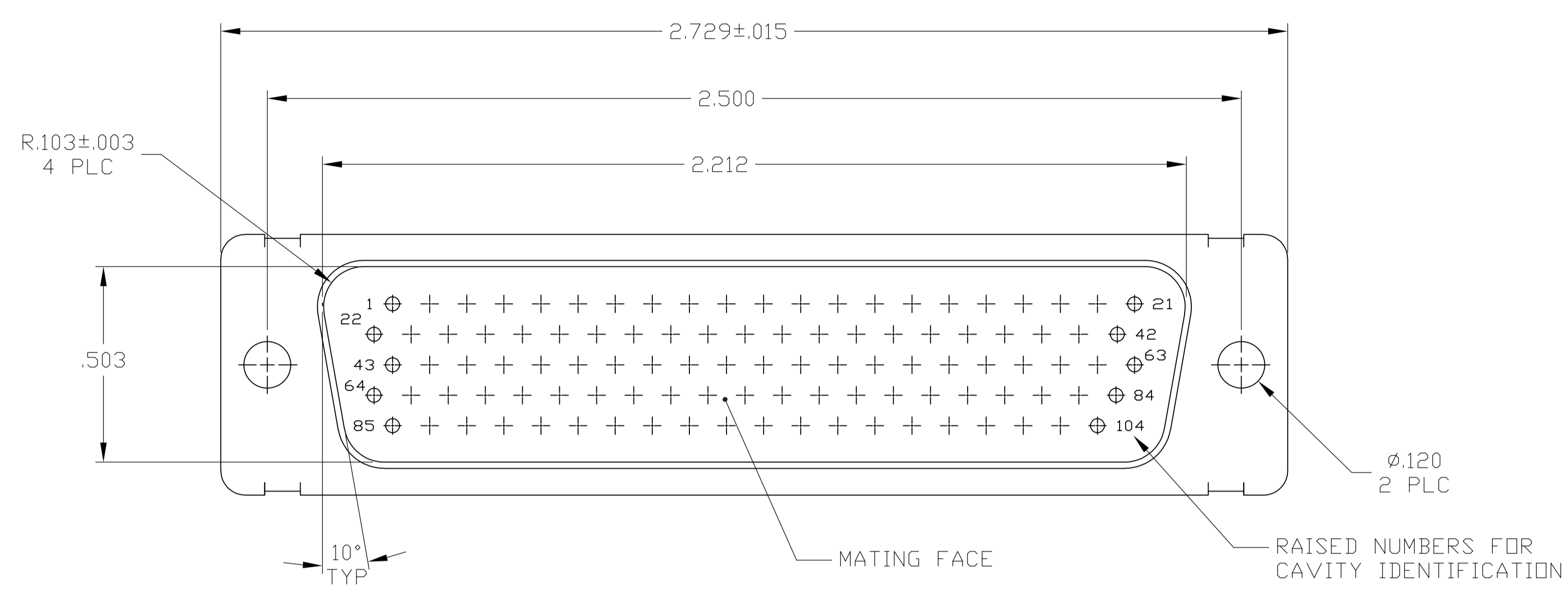


LOC		DIST		REVISIONS			
P	LTR	DESCRIPTION	DATE	OWN	APVD		
K		REV PER ECO 08-020669	9-17-08	CT	BW		

- THIS PLUG WILL MATE TO ANY SIZE 6, 104 POSITION RECEPTACLE IN THE AMPLIMITE SERIES.
 - CONNECTOR SUPPLIED WITHOUT CONTACTS; SHOWN FOR ILLUSTRATION ONLY.
 - BE-CU RETENTION CLIPS ARE INCLUDED AND INSTALLED WITH TINES POINTING TOWARDS MATING FACE.
 - OVERALL DIMENSIONS DO NOT INCLUDE RAISED CAVITY IDENTIFICATION.
 - MARKING ON FAR SIDE REFERS TO WIDE SIDE OF KEYSTONE. NEAR SIDE REFERS TO NARROW SIDE OF KEYSTONE.
- 6 100% INSPECTION REQUIRED PER BOEING 1B01:
 A. VISUAL
 B. DWV
 C. IR
- 7 CUSTOMER REQUIRES SINGLE LOT DATE CODE.
- 8 SPECIAL REQUIREMENTS:
 A. TEST TWO CONNECTORS PER LOT FOR COMPLIANCE TO GROMMET PEEL STRENGTH REQUIREMENTS
 B. TEST ALL CIRCUIT CAVITIES FOR MISALIGNMENT OR EXCESSIVE ADHESIVE



REVISIONS	DESCRIPTION	DATE	OWN	APVD
6	1B01-036PHW	211678-1	1-211678-1	
7		211678-4	211678-7	
7	1B01-036	211678-1	211678-6	
6			211678-5	
		211678-4	211678-4	
		211678-3	211678-3	
8	2A065-018V-001	211678-2	211678-2	
7				
6	1B01-036	211678-1	211678-1	
REMARKS	MARKED CUSTOMER P/N	MARKED MFG P/N	ASSEMBLY NUMBER	

THIS DRAWING IS A CONTROLLED DOCUMENT.

DWG: C.C.THOMAS 9-17-08
 CHK: B.WALTERS 9-17-08
 APVD: B.WALTERS 9-17-08

TOLERANCES UNLESS OTHERWISE SPECIFIED:
 0 PLC ± -
 1 PLC ± -
 2 PLC ± -
 3 PLC ± .005
 4 PLC ± -
 ANGLES ± -

MATERIAL: SEE CALLOUTS
 FINISH: SEE CALLOUTS
 WEIGHT: -

SIZE: A1
 CAGE CODE: 00779
 DRAWING NO: 211678
 RESTRICTED TO: -

CUSTOMER DRAWING
 SCALE: 4:1
 SHEET: 1 OF 1
 REV: K