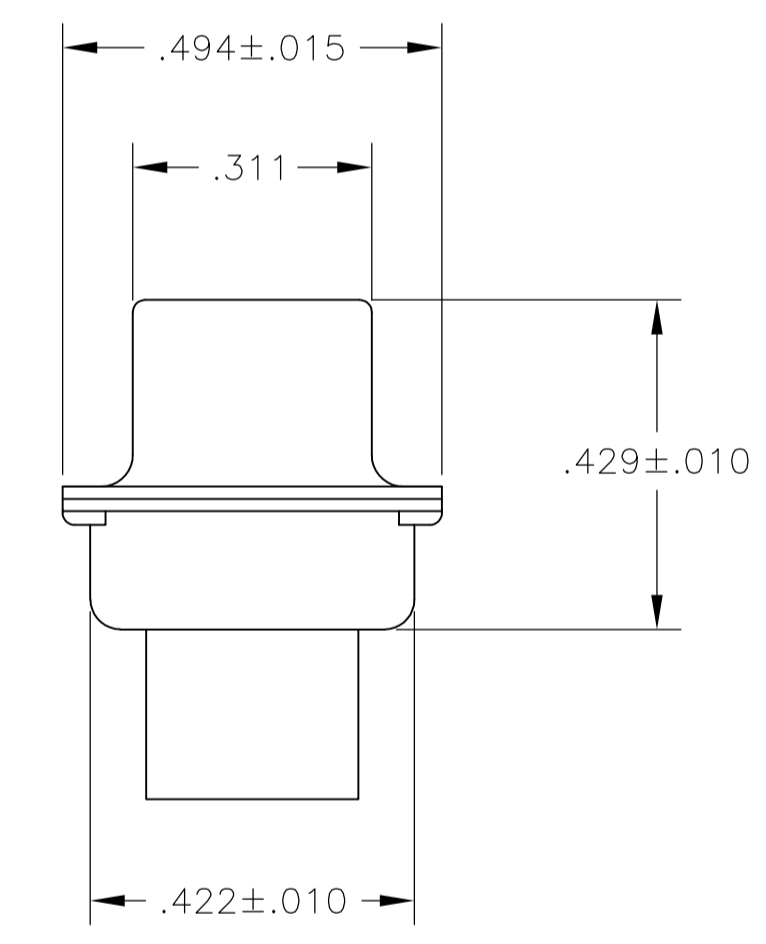
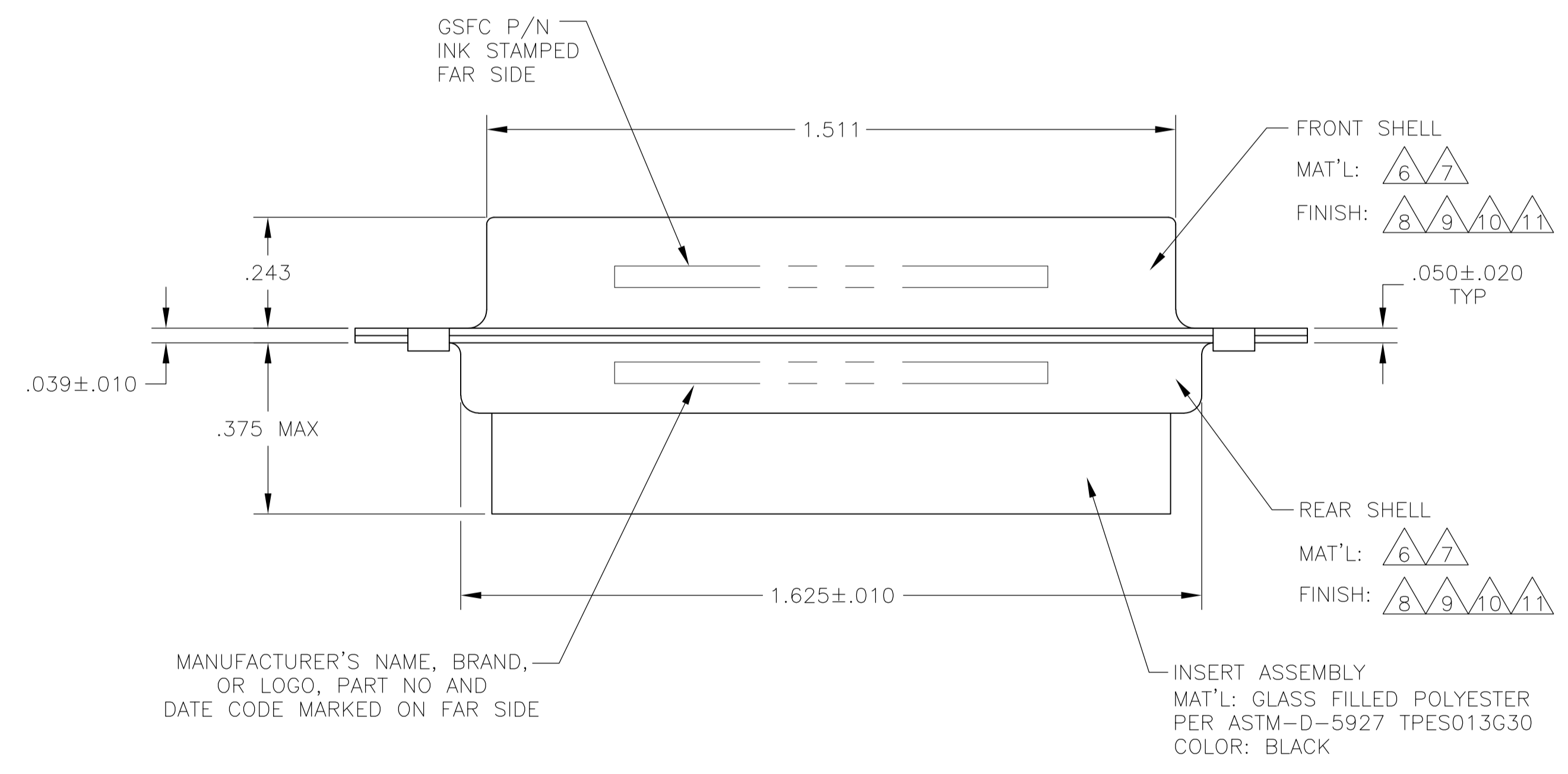
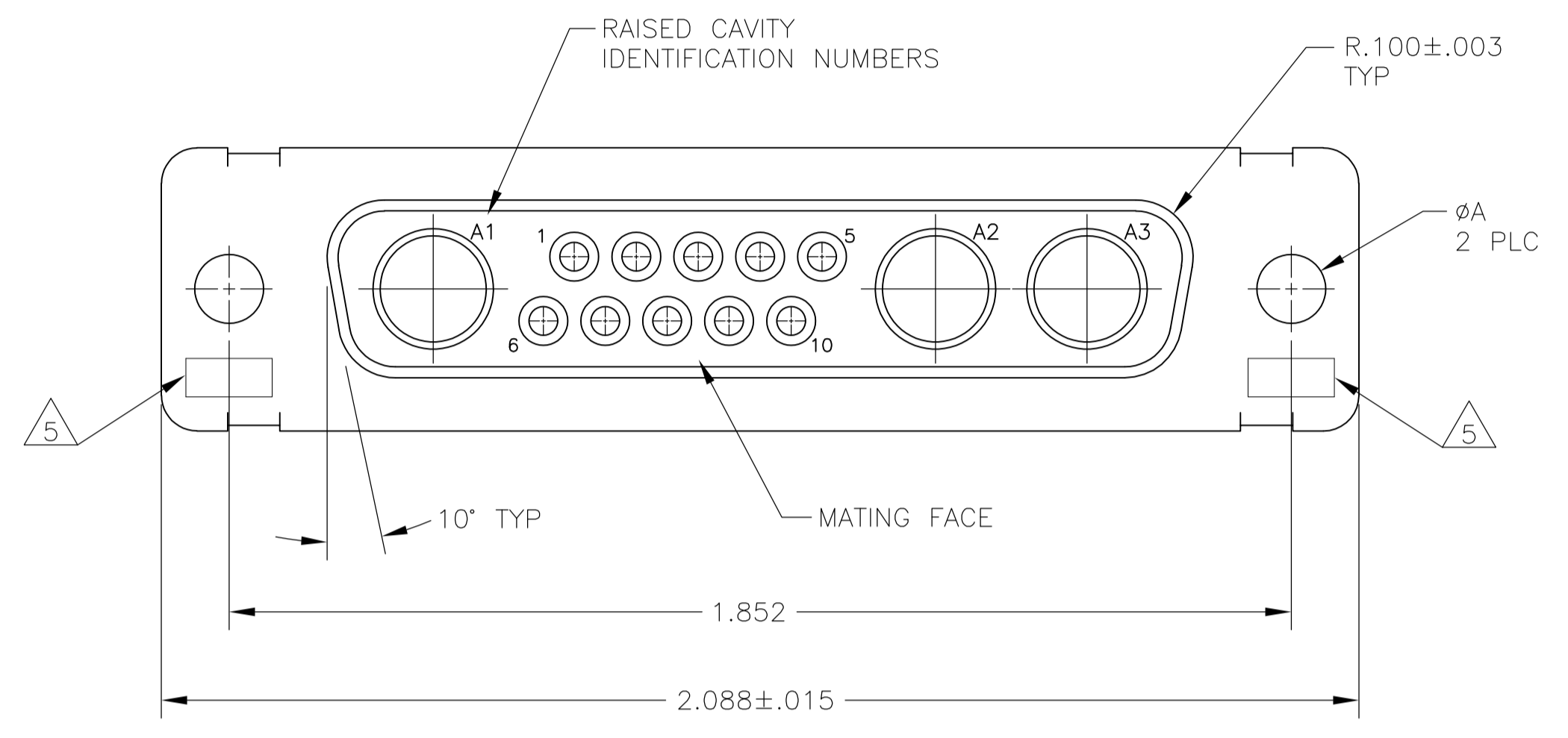


LOC		DIST		REVISIONS			
DF	DO	REV	DATE	BY	CHK	APPV	
S		1	16MAR12	PY	RL		

- THIS RECEPTACLE WILL MATE WITH ANY 13C3, SIZE 3 PLUG IN AMPLIMITE SERIES.
 - MAXIMUM WIRE INSULATION TO BE USED WITH THIS RECEPTACLE IS $\phi .068$.
 - THIS CONNECTOR ACCEPTS (3) POWER 8, OR COAX SOCKET CONTACTS IN POSITIONS A1 THRU A3, PURCHASED SEPARATELY.
 - THIS CONNECTOR ACCEPTS SIZE 20 SOCKET SIGNAL CONTACTS IN POSITIONS 1 THRU 10, PURCHASED SEPARATELY.
- $\triangle 5$ UL/CSA DESIGNATION STAMPED IN THIS AREA, OPTIONAL.
 $\triangle 6$ STEEL PER ASTM-A-109.
 $\triangle 7$ BRASS PER MIL-C-50 AND ASTM-B-36 UNS NO. C26000.
 $\triangle 8$ FINISH: CADMIUM PLATED PER QQ-P-416.
 $\triangle 9$ FINISH: TIN PER ASTM-B-545 .000400 MIN THK OVER COPPER PER AMS2418 .000050 MIN THK.
 $\triangle 10$ GOLD PLATED PER ASTM-B-488 TYPE II, GRADE C, CLASS 1 OVER COPPER PER AMS2418, CLASS IV.
 $\triangle 11$ FINISH: ZINC PLATE PER ASTM-B-633, .000200-.000400 THK WITH SUPPLEMENTARY CHROMATE (Cr3+)



$\triangle 6 \triangle 9$.120	-	5-208811-2
$\triangle 6 \triangle 11$.120	-	5-208811-1
$\triangle 7 \triangle 10$.154	311P405-12S-B-15	208811-4
$\triangle 7 \triangle 10$.120	311P405-12S-B-12	208811-3
$\triangle 6 \triangle 9$.120	-	208811-2
$\triangle 6 \triangle 8$.120	-	208811-1
REMARKS	ϕA	GSFC P/N	PART NO.

THIS DRAWING IS A CONTROLLED DOCUMENT.

DIMENSIONS: INCHES	TOLERANCES UNLESS OTHERWISE SPECIFIED:	DIN C.C.THOMAS 04FEB88	STE TE Connectivity
0 PLC ± -	1 PLC ± -	CIK A.FMADI 09FEB88	RECEPTACLE ASSEMBLY
2 PLC ± -	3 PLC ± .005(0.13)	APVD A.FMADI 09FEB88	AMPLIMITE 13C3
4 PLC ± -	ANGLES ± 0°30'	NAME	SIZE 3, SERIES 109, COAX MIX
MATERIAL	FINISH	SIZE	SCALE 4:1
		WEIGHT	SHEET 1 OF 1
		CUSTOMER DRAWING	REV S

SIZE: A1 00779C=208811
 DATE: 16MAR12
 DRAWING NO: 00779C=208811