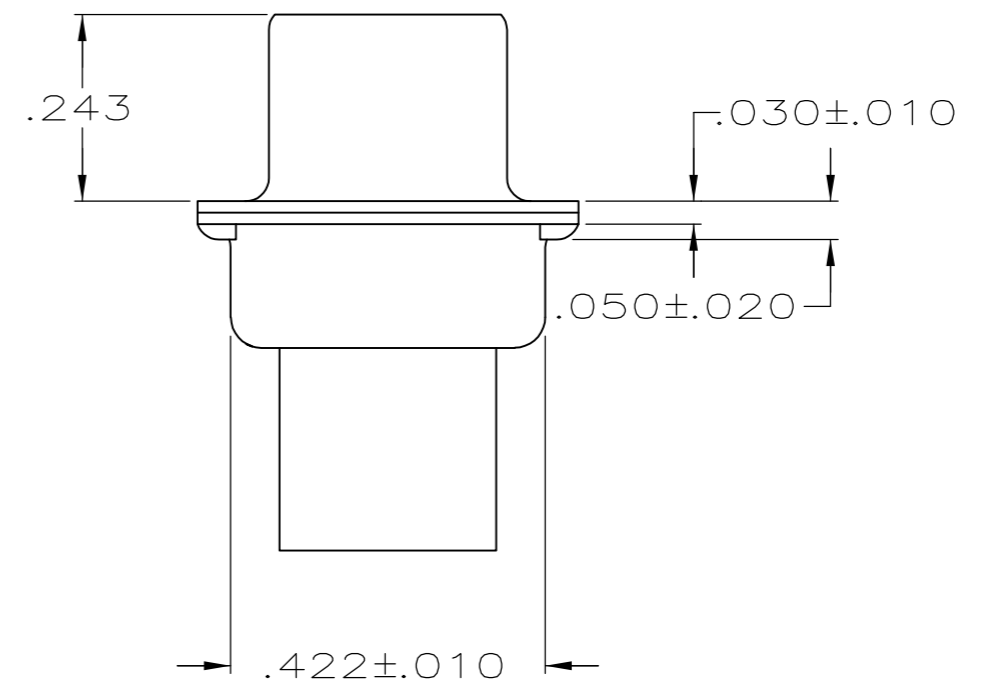
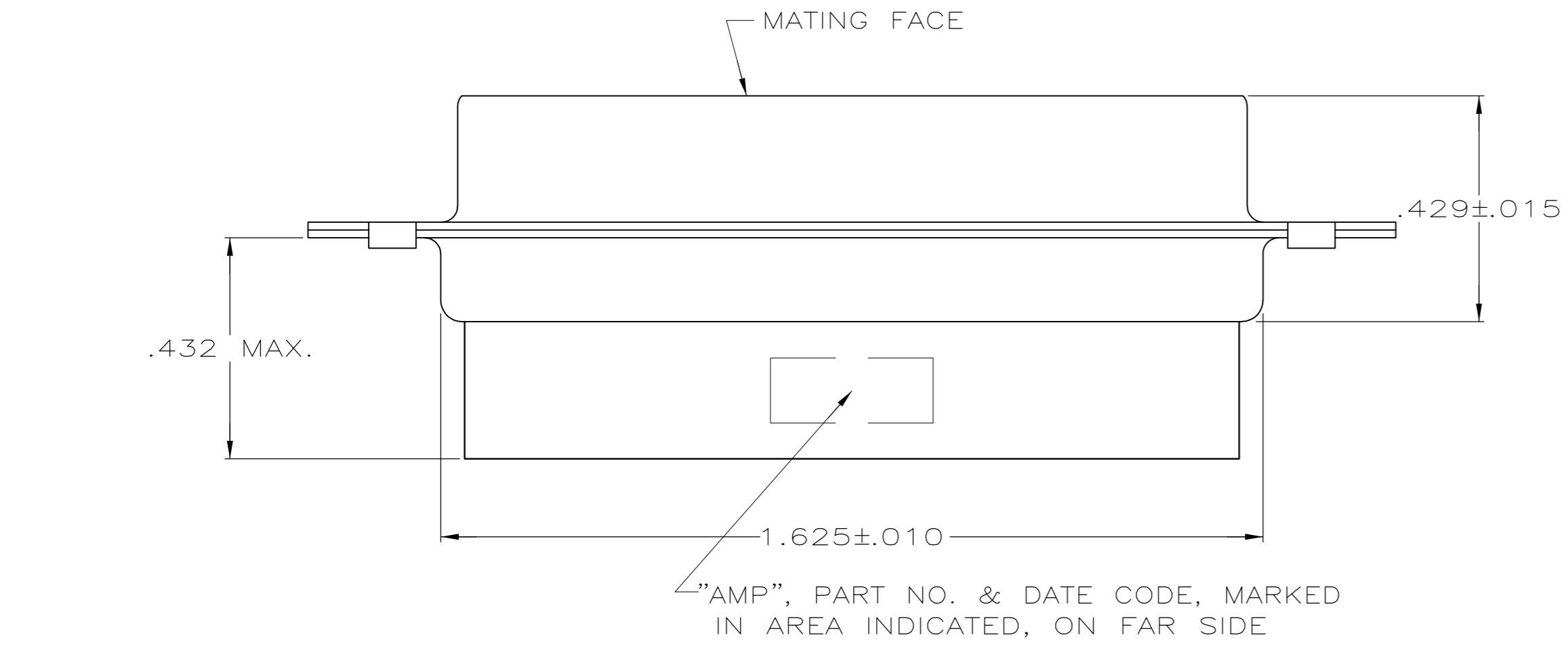
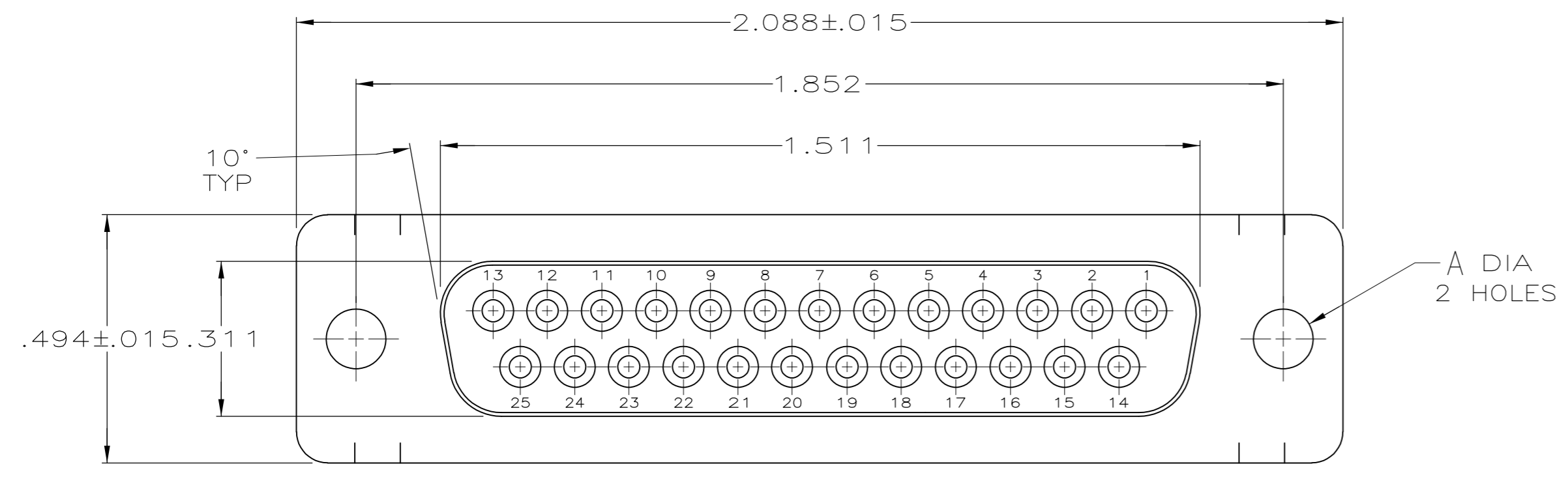


THIS DRAWING IS UNPUBLISHED. RELEASED FOR PUBLICATION  
 © COPYRIGHT - By - ALL RIGHTS RESERVED.

LOC		DIST		REVISIONS			
P	LTR	DESCRIPTION		DATE	DWN	APVD	
GP	00	D1	REVISED PER ECO-11-004835		11MAR11	RK	HMR



- CONNECTOR ACCEPTS SIZE 20 DF SOCKET CONTACTS, RETENTION TINES ARE AN INTEGRAL PART OF INSERT.
- CONNECTOR COMPLIES WITH 108-40005 WHERE APPLICABLE.
- NYLON, FLAME RETARDANT, 94V-0 RATED, GLASS FILLED, BLACK.
- STEEL PER ASTM A109.
- TIN OR TIN-LEAD PLATED PER MIL-T-10727.
- TIN PLATED PER MIL-T-10727 OVER COPPER PER MIL-C-14550.

OBSOLETE	SMALL PACK	6	.120	207463-4
OBSOLETE	STANDARD	5	.154	207463-2
	STANDARD	6	.120	207463-1

THIS DRAWING IS A CONTROLLED DOCUMENT.		DWN	S.WELDON	7-19-85		TE Connectivity		
DIMENSIONS: INCHES		CHK	J.GERACE	7-29-85		RECEPTACLE CONNECTOR, SIZE 3, 25 POSITION, AMPLIMITE™ HDP		
TOLERANCES UNLESS OTHERWISE SPECIFIED:		APVD	L.BREKOSKY	7-29-85		SIZE	CAGE CODE	DRAWING NO
0 PLC ± - 1 PLC ± - 2 PLC ± - 3 PLC ± .005 4 PLC ± - ANGLES ± 2°		PRODUCT SPEC				SCALE	SHEET	REV
MATERIAL		FINISH	WEIGHT		A2 00779 C=207463		RESTRICTED TO	
MOLDED PARTS: Δ		SHELLS: SEE TABLE	CUSTOMER DRAWING		SCALE	4:1	SHEET 1 of 1	
SHELLS: Δ						REV	D1	

THIS DRAWING IS A CONTROLLED DOCUMENT FOR AMP INCORPORATED. IT IS SUBJECT TO CHANGE AND THE CONTROLLING ENGINEERING ORGANIZATION SHOULD BE CONTACTED FOR THE LATEST REVISION.