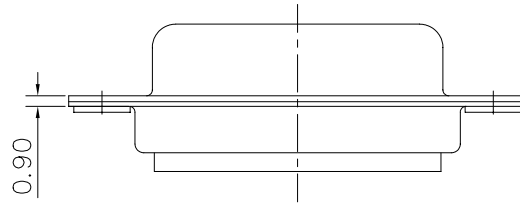
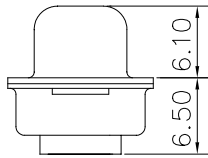
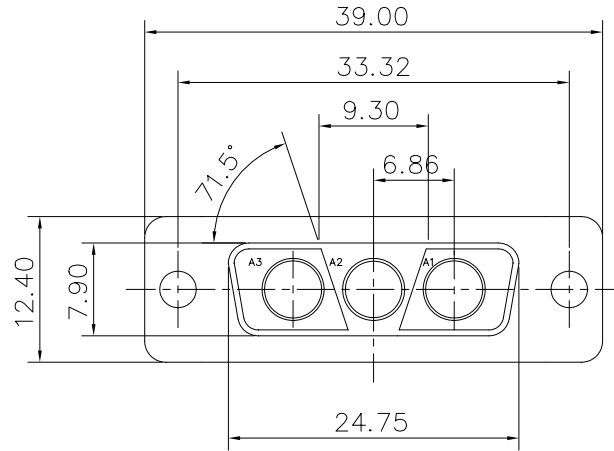


This document is the property of Amphenol Corporation and is delivered on the express condition that it is not to be disclosed, reproduced or used, in whole or in part, for manufacture or sale by anyone other than Amphenol Corporation without its prior consent, & that no right is granted to disclose or to use any information in this document.



Customer drawing

REVISIONS				
SYM	ECN	DESCRIPTION	DATE	APPROVED
1			03/10/09	

**D-SUB TECHNICAL DATA**

SHELL : Steel 2.5um(100u") min tin over 1.25um(50u") min nickel  
 BODY : Glass filled thermoplastic.  
 Flame retardant to UL94 V-0 Color Black  
 ELECTRICAL : Insulation resistance >5000 M Ohms  
 CLIMATIC : Temperature range -55 °C up to 155°C  
 Damp heat 56 days(40 °C-95% HR)  
 MARKING : Amphenol...(Series No.)  
 Commercial reference  
 Manufacturing date

**PRODUCT CODE**

**L 77TW P 3W3 S**

L: RoHS Compliance

77TW: tinned shell

Shell Size :P  
connector polarized

Contact type:  
S=female

Configuration: 3W3

UNLESS OTHERWISE SPECIFIED	
TOLERANCES	
U.S.	METRIC
.X +/-	0.50
.XX +/-	0.30
.XXX +/-	0.20
FRACTIONS +/-	
ANGLES +/-	5°
FOR MATERIALS AND FINISHES SEE NOTES	
REMOVE SHARP EDGES	ANGLE OF PROJECTION
DIMENSIONS	
U.S. INCHES	
METRIC MM	

APPROVAL	DATE
DRAWN Christine.cui	03/10/09
CHECKED tk.wang	03/10/09
CHECKED	
DRAWING FILE :	
ANGLE OF PROJECTION	

Amphenol		
TITLE Hybrid connector, TW series		
SIZE	DRAWING NO.	REV.
A4	C L77TWP3W3S	1
SCALE	NONE	SHEET 1 OF 1