


Number of contacts

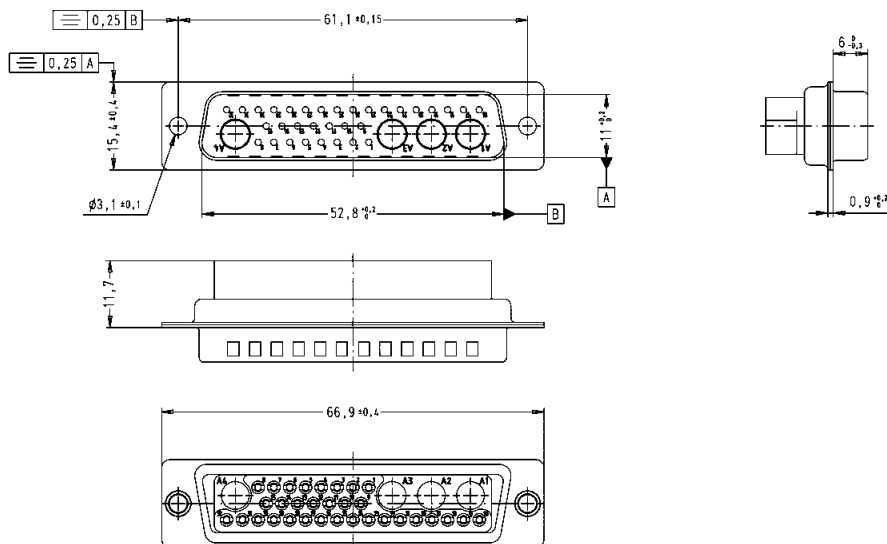
36



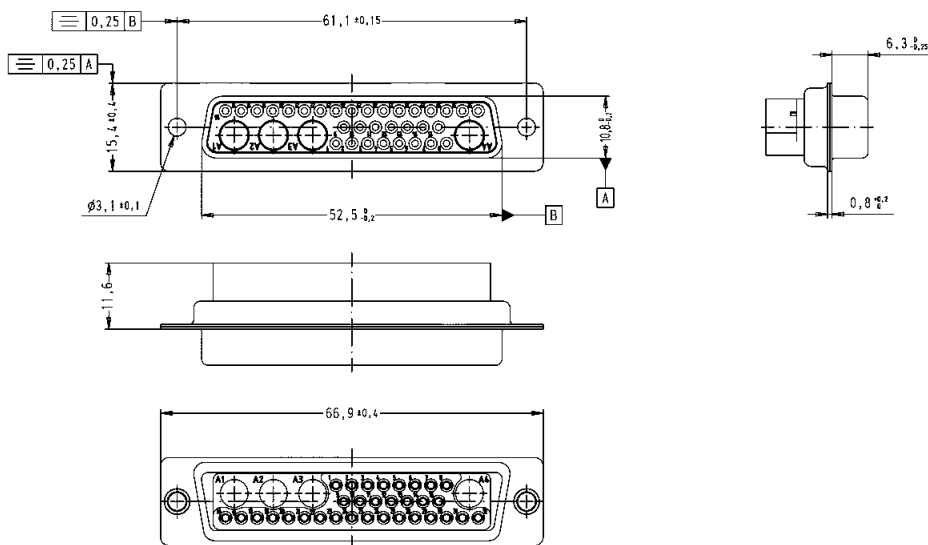
Mixed shells for signal crimp contacts

Identification	No. of contacts ¹⁾	Part number	
		male connector	female connector
	36W4	09 69 512 0364	09 69 502 0364

Male connectors



Female connectors



Dimensions in mm

¹⁾ Explanations see page 05.51
Board drillings see pages 05.78 ff
Order special contacts separately. See pages 05.69 ff