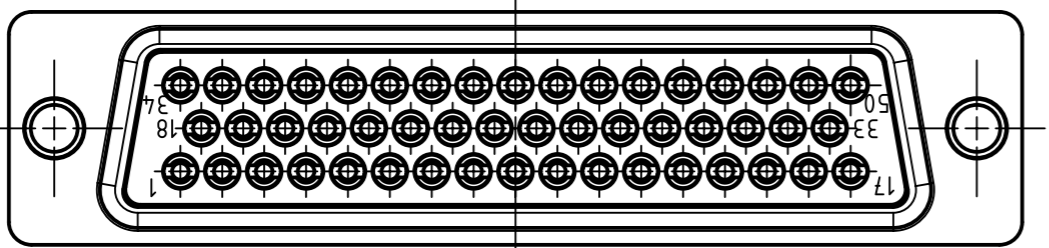
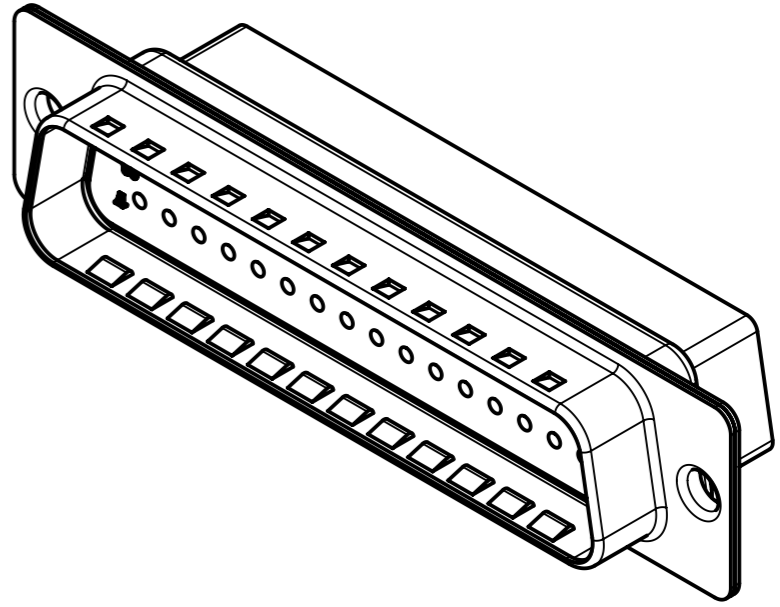
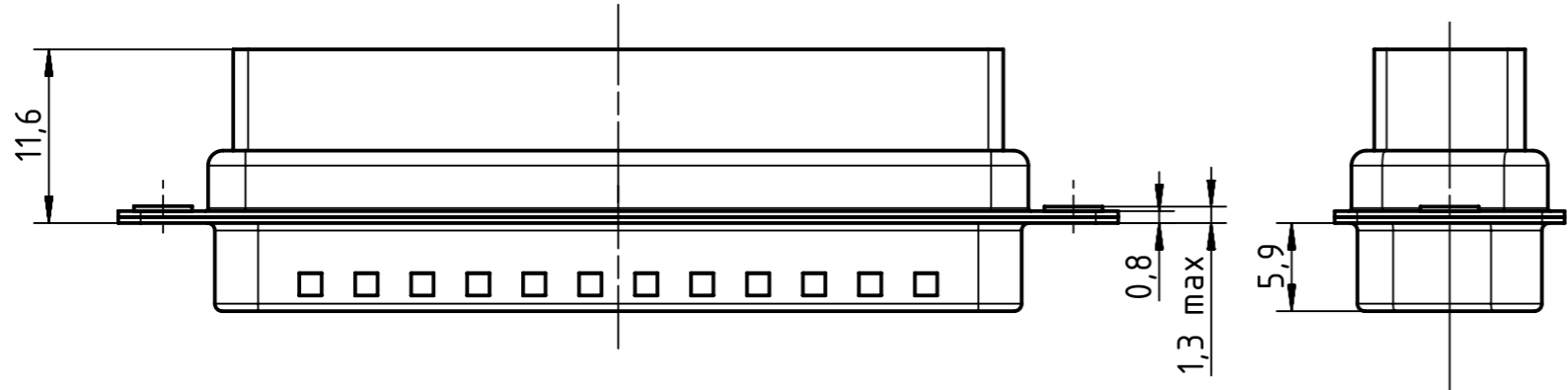
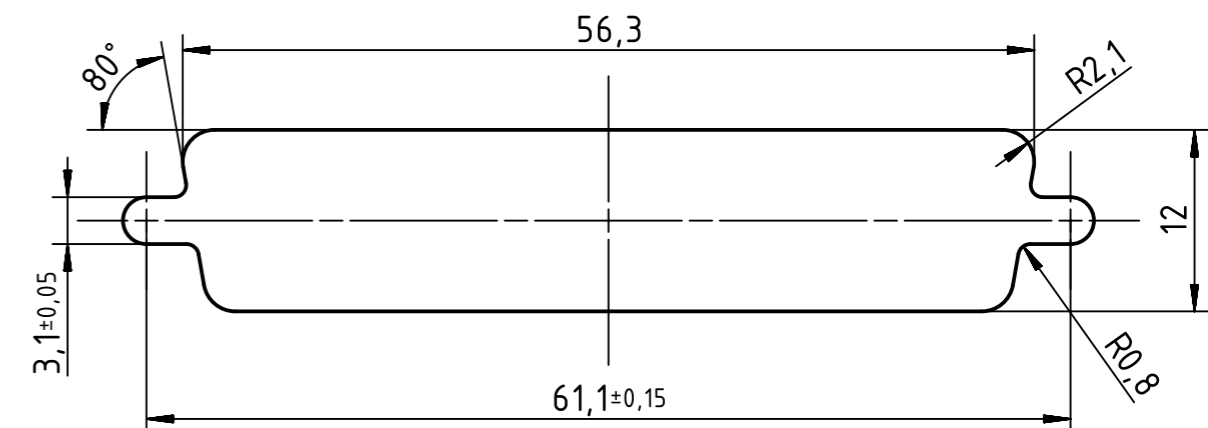


Mating face according to CECC 75301-802

Panel cut out



	All Dimensions in mm Original Size DIN A3		Scale 2:1	Free size tol.		Ref.
	All rights reserved Department EC PD - CN		Created by SHENGJ	Inspected by WANGSTE	Standardisation HOFFMANN	Date 2014-01-15
HARTING Electronics GmbH D-32339 Espelkamp		Title D-Sub crimp 50-pole male assembly			Doc-Key / ECM-Nr. 100235529/UGD/002/A 50000065332	
		Type TB	Number 09670505601		Rev. A	Page 1/1