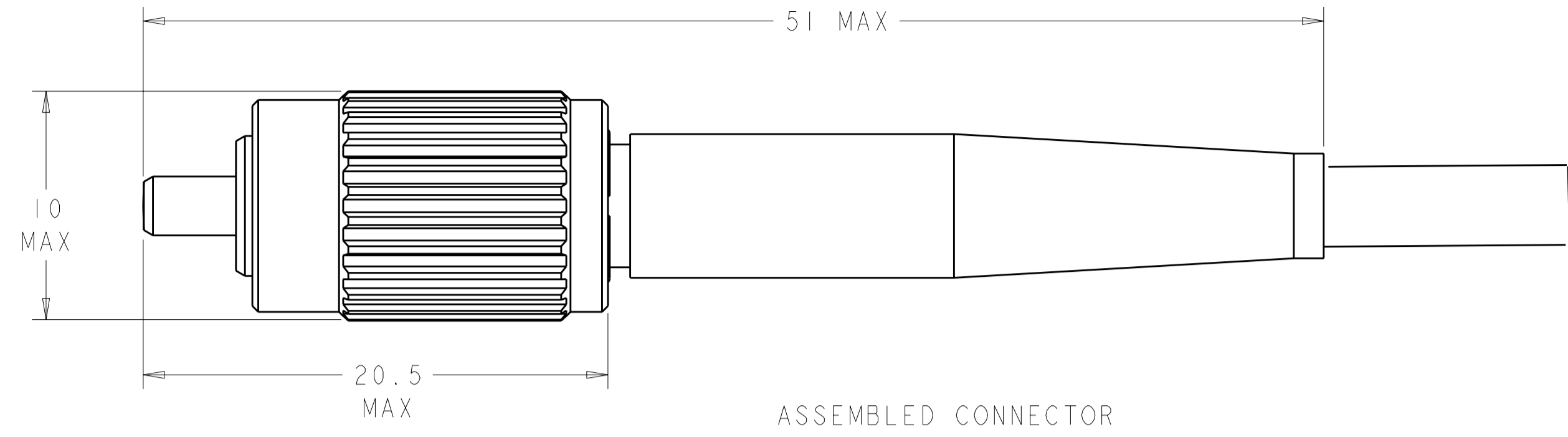


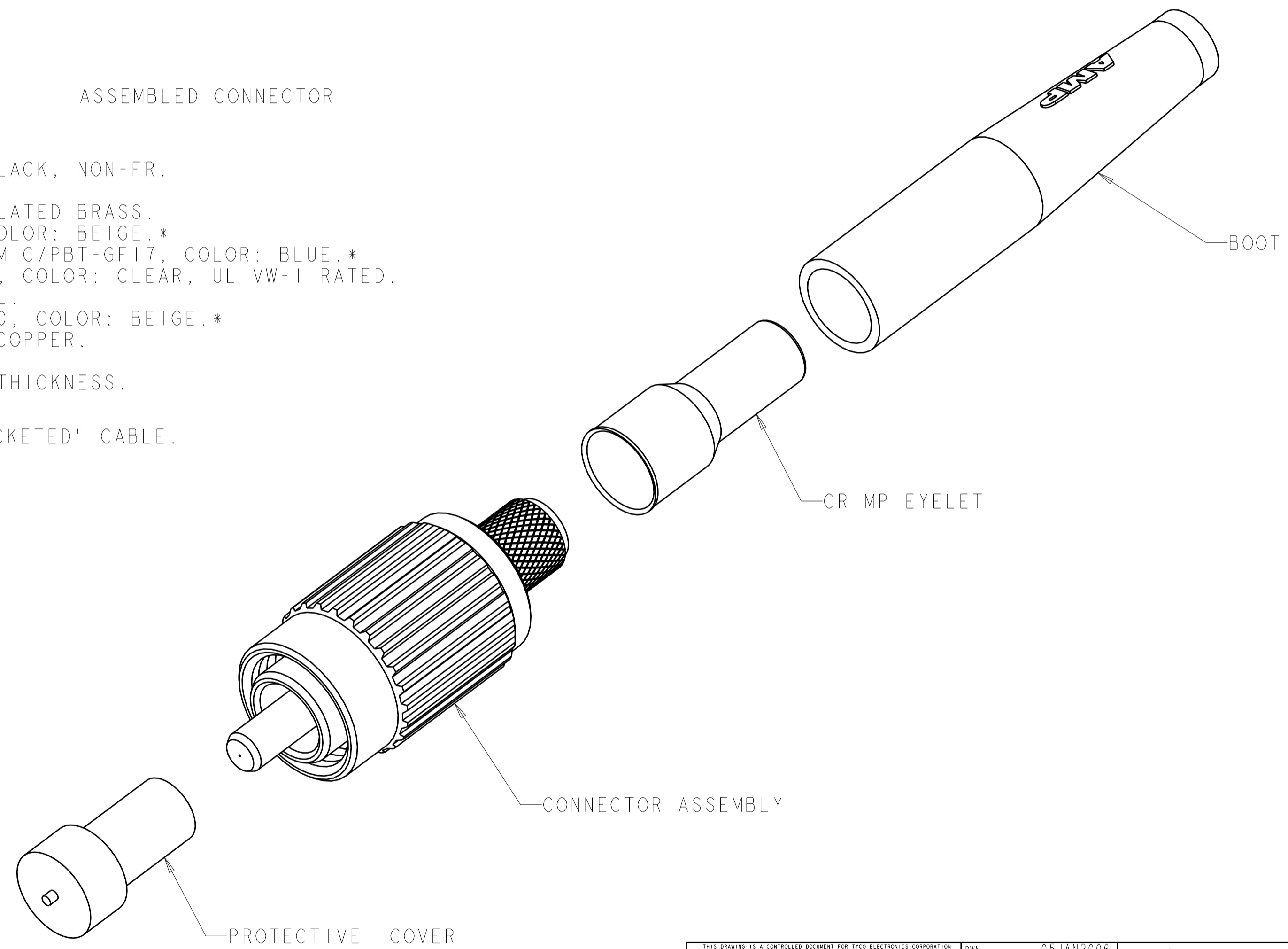
THIS DRAWING IS UNPUBLISHED. RELEASED FOR PUBLICATION 20  
 © COPYRIGHT 20 BY TYCO ELECTRONICS CORPORATION. ALL RIGHTS RESERVED.

LOC	DIST	REVISIONS			
P	LTR	DESCRIPTION	DATE	DWN	APVD
CE	00	A	RELEASE TO ACTIVE	07JUN2006	BB SM



- 1 MATERIAL:
- PROTECTIVE COVER: LDPE, BLACK, NON-FR.
  - CONNECTOR SUB-ASSEMBLY:
  - COUPLING NUT: NICKEL PLATED BRASS.
  - PLUG BODY: PPS-GF40, COLOR: BEIGE.\*
  - FERRULE ASSEMBLY: CERAMIC/PBT-GF17, COLOR: BLUE.\*
  - EPOXY-FILL TUBING: PVC, COLOR: CLEAR, UL VW-1 RATED.
  - SPRING: STAINLESS STEEL.
  - RETAINER BODY: PES-GF20, COLOR: BEIGE.\*
  - CRIMP EYELET: TIN PLATED COPPER.
  - BOOT: TPE, COLOR: BLUE.\*
- \*UL94 V-0 RATED AT QUALIFYING THICKNESS.

2. TO BE USED WITH 2.0mm "LOOSE JACKETED" CABLE.



5504915-2  
PART NUMBER

THIS DRAWING IS A CONTROLLED DOCUMENT FOR TYCO ELECTRONICS CORPORATION. IT IS SUBJECT TO CHANGE AND THE CONTROLLING ENGINEERING ORGANIZATION SHOULD BE CONTACTED FOR THE LATEST REVISION.		DWN B. BRIGGS 05JAN2006	Tyco Electronics Harrisburg, PA 17105-3608	
DIMENSIONS: mm		CHK S. MILLER 05JAN2006	NAME CONNECTOR KIT, SINGLEMODE, FC, ONE PIECE, 2.0mm	
TOLERANCES UNLESS OTHERWISE SPECIFIED: 0 PLC ± 1 PLC ± 2 PLC ± 3 PLC ± 4 PLC ± ANGLES ± FINISH		APVD S. BUCHTER 05JAN2006	PRODUCT SPEC -	RESTRICTED TO -
MATERIAL		APPLICATION SPEC -	WEIGHT -	SIZE A2
1		CUSTOMER DRAWING		SCALE 5:1 SHEET 1 OF 1 REV A